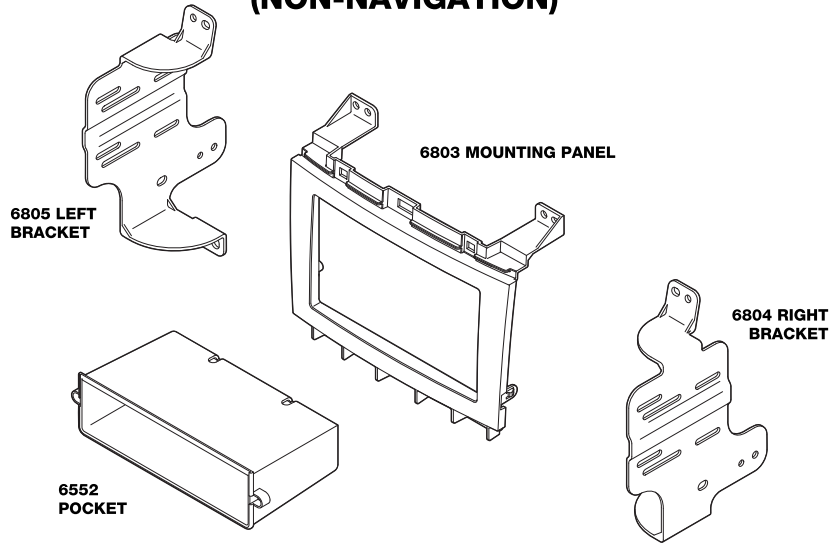


**IN-DASH STEREO INSTALLATION KIT FOR
2009 NISSAN MAXIMA
(NON-NAVIGATION)**



INTRODUCTION / PRELIMINARY

This premium installation kit is for 2009 Nissan Maxima (non-navigation) vehicles. Included are all the parts you need to mount your car stereo or CD player into your vehicle's dash. Refer to the individual instruction in this manual to remove your vehicle's factory radio and assemble the kit.

CAUTION
DISCONNECT YOUR VEHICLE'S NEGATIVE BATTERY TERMINAL BEFORE THE INSTALLATION TO HELP PREVENT ELECTRICAL DAMAGE. WE RECOMMEND THE USE OF A VOLT/OHM METER OVER A TEST LIGHT TO CHECK WIRING. A TEST LIGHT OR GROUNDED WIRE PROBE CAN CAUSE DAMAGE TO THE VEHICLE'S COMPUTER AND/OR DIAGNOSTIC SYSTEMS. AVOID ALL FACTORY AIRBAG WIRING - AIRBAGS CAN ACCIDENTALLY DEPLOY CAUSING SERIOUS INJURY OR DEATH.

NOTES

- See your vehicle's instructions for any special tools your installation might require.
- Read all instructions accompanying your car stereo for proper wiring and mounting instructions.

FACTORY WIRING CODES

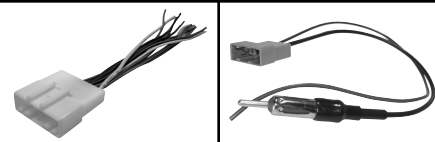
For Factory Wiring Codes go to: www.scosche-cars.com

CAR STEREO CONNECTORS

PROVIDE EASY CONNECTION OF YOUR CAR STEREO TO FACTORY WIRING HARNESS.

NN04B
2007-Up Nissan
Connector

NAA2B
2007-Up Nissan
Antenna Adapter



LIABILITY DISCLAIMER

This instruction booklet is based on carefully documented data and research of automobile dash disassembly, wire harness/ codes and information pertaining to installation of this kit (NN1664B) in 2009 Nissan Maxima vehicles. Scosche Industries, Inc. can not be held responsible for discrepancies/inconsistencies that may occur due to the automobile manufacturing changes or options, or damage that may occur in the automobile during the installation of components while using this booklet.

If you have any further questions, call our toll free technical help line at: **1-800-621-3695x3**

FACTORY STEREO REMOVAL

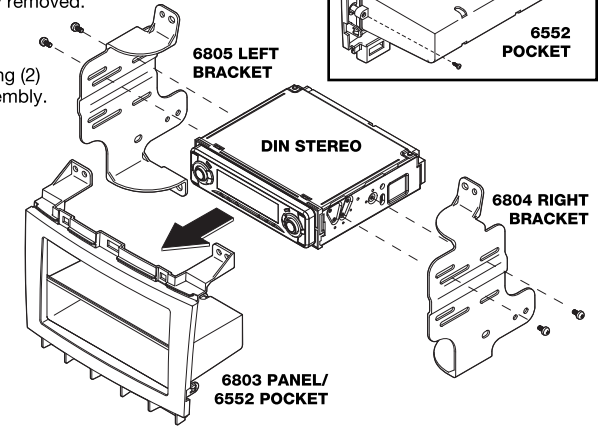
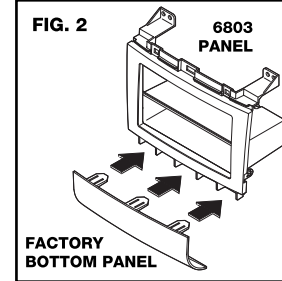
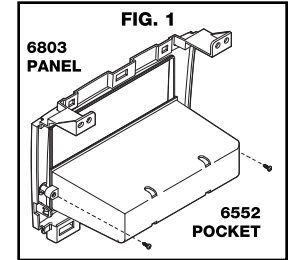
2009 NISSAN MAXIMA (non-navigation)

1. With panel removal tool, unclip and remove panel above the stereo including A/C vents and climate controls. Disconnect and remove.
2. Unclip and remove panel below stereo.
3. Extract (6) Phillips screws securing the factory stereo in dash. Disconnect and remove.
4. Remove (1) Torx head screw from left and right of factory stereo to remove lower module.

MOUNTING THE STEREO

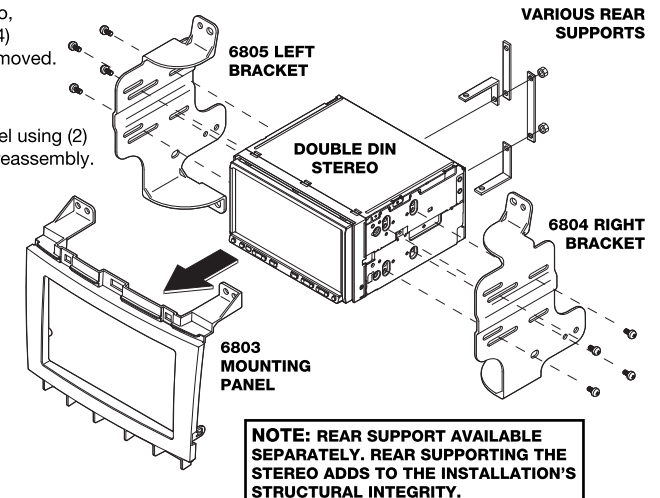
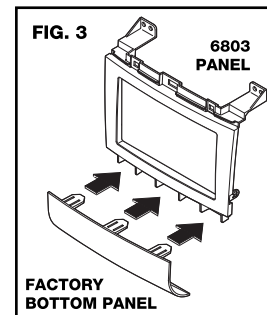
SINGLE DIN MOUNT

1. Attach the 6552 pocket to 6803 panel with the (2) supplied screws.
2. Mount 6804 and 6805 right and left brackets to aftermarket stereo using screws supplied with stereo or reusing screws from factory stereo, if possible (Fig. 1).
3. Using the (2) Torx head screws re-secure lower module to brackets.
4. Reconnect aftermarket stereo, lower module and secure into dash using (4) Phillips screws previously removed.
5. Snap bottom panel trim to 6803 panel (Fig. 2).
6. Snap and screw in 6803 panel using (2) Phillips screws. Finish dash reassembly.



DOUBLE DIN MOUNT

1. Mount 6804 and 6805 right and left brackets to aftermarket double din stereo using screws supplied with stereo or reusing screws from factory stereo, if possible.
2. Using the (2) Torx head screws re-secure lower module to brackets.
3. Reconnect aftermarket stereo, and secure into dash using (4) Phillips screws previously removed.
4. Snap bottom panel trim to 6803 panel (Fig. 3).
5. Snap and screw in 6803 panel using (2) Phillips screws. Finish dash reassembly.



NOTE: REAR SUPPORT AVAILABLE SEPARATELY. REAR SUPPORTING THE STEREO ADDS TO THE INSTALLATION'S STRUCTURAL INTEGRITY.