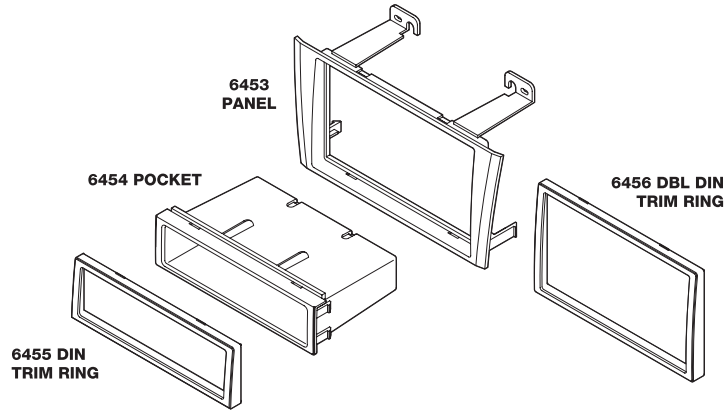


**IN-DASH DIN STEREO INSTALLATION KIT FOR
2000-04 TOYOTA AVALON**



INTRODUCTION / PRELIMINARY

This premium installation kit is for 2000-04 Toyota Avalon vehicles. Included are all the parts you need to mount your car stereo or CD player into your vehicle's dash. Refer to the individual instruction in this manual to remove your vehicle's factory radio and assemble the kit.

CAUTION
DISCONNECT YOUR VEHICLE'S NEGATIVE BATTERY TERMINAL BEFORE THE INSTALLATION TO HELP PREVENT ELECTRICAL DAMAGE. WE RECOMMEND THE USE OF A VOLT/OHM METER OVER A TEST LIGHT TO CHECK WIRING. A TEST LIGHT OR GROUNDED WIRE PROBE CAN CAUSE DAMAGE TO THE VEHICLE'S COMPUTER AND/OR DIAGNOSTIC SYSTEMS. AVOID ALL FACTORY AIRBAG WIRING - AIRBAGS CAN ACCIDENTALLY DEPLOY CAUSING SERIOUS INJURY OR DEATH.

- NOTES**
- See your vehicle's instructions for any special tools your installation might require.
 - Read all instructions accompanying your car stereo for proper wiring and mounting instructions.

IMPORTANT!

*Do Not Return Product
to the Retailer!*

IF YOU NEED ASSISTANCE OR REPLACEMENT PARTS

Call us FIRST at ...

1-800-621-3695 ext 3

Toll Free, No-Charge tech support

• FRIENDLY CUSTOMER SERVICE TECHNICIANS
• YOU WON'T BE ON HOLD LONGER THAN 5 MINUTES

OUR HOURS ARE:
Monday - Friday 8:00 a.m. to 5:30 p.m. (PST)
Saturday 8:00 a.m. to 2:00 p.m. (PST)

FACTORY WIRING CODES

For Factory Wiring Codes go to: www.scosche-cars.com

CAR STEREO CONNECTORS

PROVIDE EASY CONNECTION OF YOUR CAR STEREO TO FACTORY WIRING HARNESS.

TA02B
1997-up Toyota non-amplified



FACTORY STEREO REMOVAL

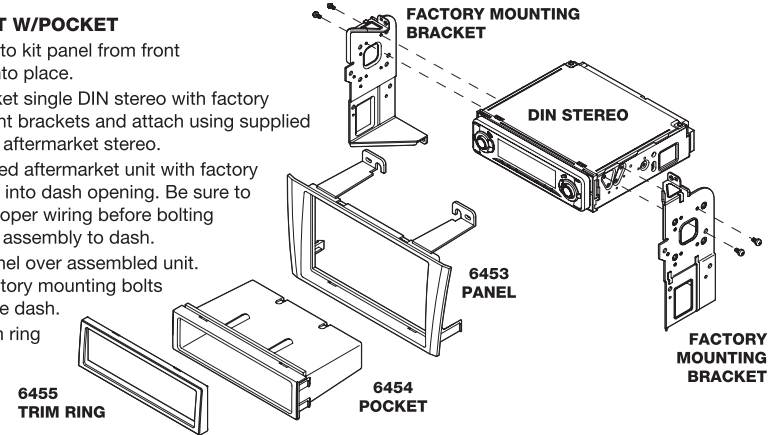
2000-04 TOYOTA AVALON

1. Carefully pull forward on top plastic bezel above the stereo using a small pick tool.
2. Carefully unsnap bottom trim panel, then lift upward.
3. Extract (4) 10mm bolts from stereo. Disconnect and remove.

MOUNTING THE STEREO

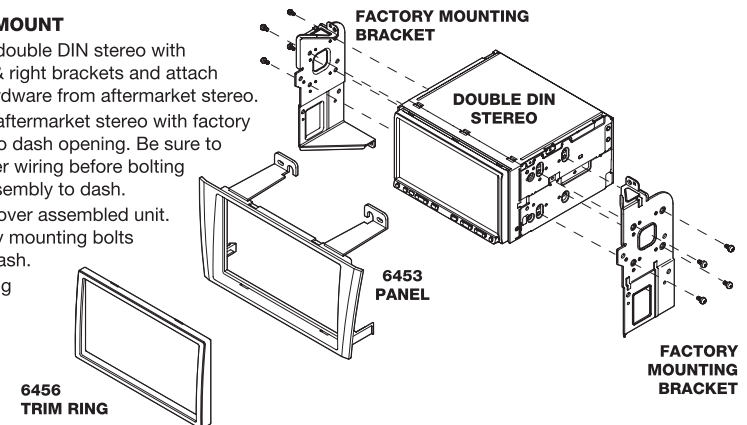
ISO-DIN MOUNT W/POCKET

1. Slide pocket into kit panel from front until it snaps into place.
2. Align aftermarket single DIN stereo with factory metal left & right brackets and attach using supplied hardware from aftermarket stereo.
3. Place assembled aftermarket unit with factory metal brackets into dash opening. Be sure to connect the proper wiring before bolting stereo/bracket assembly to dash.
4. Place 6453 panel over assembled unit. Mount with factory mounting bolts and reassemble dash.
5. Snap 6455 trim ring into place.



ISO-DOUBLE DIN MOUNT

1. Align aftermarket double DIN stereo with factory metal left & right brackets and attach using supplied hardware from aftermarket stereo.
2. Place assembled aftermarket stereo with factory metal brackets into dash opening. Be sure to connect the proper wiring before bolting stereo/bracket assembly to dash.
3. Place 6453 panel over assembled unit. Mount with factory mounting bolts and reassemble dash.
4. Snap 6456 trim ring into place.



LIABILITY DISCLAIMER

This instruction booklet is based on carefully documented data and research of automobile dash disassembly, wire harness/ codes and information pertaining to installation of this kit (TA2085B) in 2000-04 Toyota Avalon vehicles. Scosche Industries, Inc. cannot be held responsible for discrepancies/inconsistencies that may occur due to the automobile manufacturing changes or options, or damage that may occur in the automobile during the installation of components while using this booklet.