

For information about other American International automotive accessories visit our website at:

<http://www.americaninternational.net>



**American  
International**  
Car Stereo Installation Kits & Accessories



**NDK731 Mounting Kit**



**American International**

**Automotive Products Division**

1040 Avenida Acaso • Camarillo, CA 93012, U.S.A.

USA Sales (800) 336-6500

Canada Sales (888) 922-3006 • USA Fax (805) 388-7950

**CUSTOMER HELP LINE**

**USA 800-323-4329 • Canada 800-245-8777**

iNDK731

**VEHICLE APPLICATIONS**

**Nissan**

2004-05 ARMADA

2004-05 TITAN

2006-07 TITAN (WITHOUT DUAL ZONE CLIMATE)

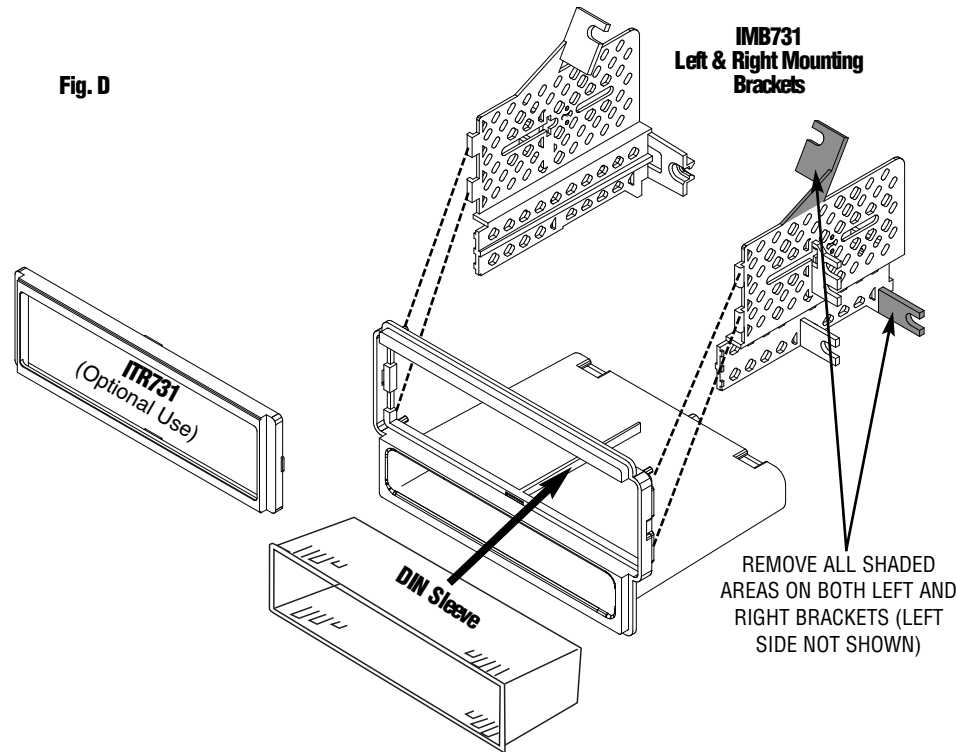
## DASH DISASSEMBLY INSTRUCTIONS

1. Carefully remove the panel surrounding the radio and climate controls.
2. Remove the (4) Phillips screws securing the factory radio to the sub-dash.
3. Pull Radio forward, disconnect all harnesses and antenna lead from radio and remove radio.

## DIN MOUNT INSTALLATION INSTRUCTIONS

**NOTE:** REMOVE SHADED BRACKET TABS (Both L&R mounting brackets). SEE BELOW.

1. Attach the left and right side brackets to the main bracket.
2. Attach left and right side brackets to the rear of the pocket using screws supplied.
3. Insert DIN sleeve from your new radio into the upper section of the installation kit. (This DIN sleeve comes with all new radios and slides off the back of the radio)
4. Depress the tabs from inside the sleeves opening upward, outward, and downward to secure sleeve to the installation kit.
5. Install radio into sleeve and lock into place.
6. Support rear of radio with back strap (Optional).



## ISO MOUNT INSTALLATION INSTRUCTIONS

**NOTE:** REMOVE SHADED BRACKET TABS (Both L&R mounting brackets). SEE BELOW.

1. Attach the left and right side brackets to the main bracket. See illustration below.
2. Attach left and right side brackets to the rear of the pocket using screws supplied w/kit.
3. Attach ISO Mount Spacers to the inside of upper section on both Left & Right mounting brackets as shown in Figure B below.
4. Slide radio into kit from rear & attach to ISO mounting brackets using screws supplied with radio when possible, or screws supplied with dash kit. (do not tighten screws at this time). (Be sure the length of the screws DO NOT touch any electrical parts inside radio, some screws may need to be shortened.)
5. Slide radio forward or backward for your desired look and then tighten the mounting screws. Use ISO trim ring when possible.
6. Attach rear support strap to rear of pocket and to rear of radio (Optional).

**NOTE:** Optional ISO trim ring (ITR731 included) may be used in place of after-market radio's trim ring. For ISO mount applications, mount after-market radio to side brackets using hardware included.

