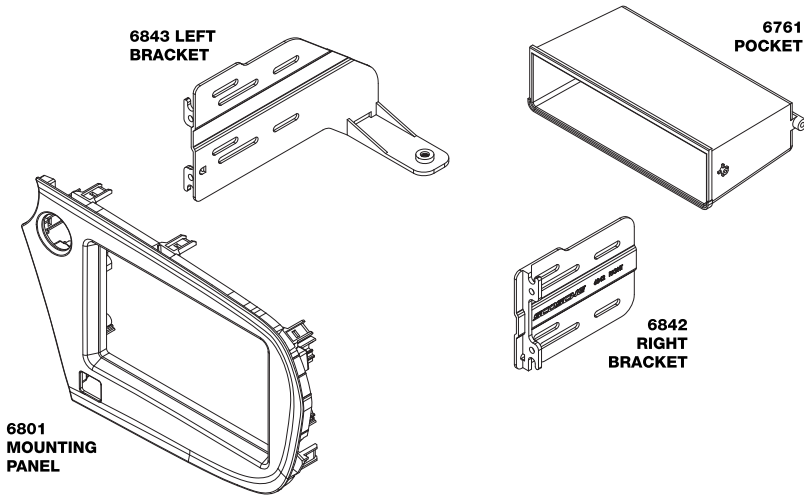


**IN-DASH STEREO INSTALLATION KIT FOR  
2010 HONDA INSIGHT**



**INTRODUCTION / PRELIMINARY**

This premium installation kit is for 2010 Honda Insight vehicles. Included are all the parts you need to mount your car stereo or CD player into your vehicle's dash. Refer to the individual instruction in this manual to remove your vehicle's factory radio and assemble the kit.

**CAUTION**

Disconnect your vehicle's negative battery terminal before the installation to help prevent electrical damage. We recommend the use of a volt/ohm meter over a test light to check wiring. A test light or grounded wire probe can cause damage to the vehicle's computer and/or diagnostic systems. Avoid all factory airbag wiring - airbags can accidentally deploy causing serious injury or death.

**NOTES**

- See your vehicle's instructions for any special tools your installation might require.
- Read all instructions accompanying your car stereo for proper wiring and mounting instructions.

**FACTORY WIRING CODES**

For Factory Wiring Codes go to: [www.scosche-cars.com](http://www.scosche-cars.com)

CAR STEREO CONNECTORS		HA11B	HAA2B
PROVIDE EASY CONNECTION OF YOUR CAR STEREO TO FACTORY WIRING HARNESS.			<b>COMING SOON</b>
<b>HA11B</b> 2008-Up Honda	<b>HAA2B</b> 2006-Up Honda Antenna Adapter		

**LIABILITY DISCLAIMER**

This instruction booklet is based on carefully documented data and research of automobile dash disassembly, wire harness/codes and information pertaining to installation of this kit (HA1709B) in 2010 Honda Insight vehicles. Scosche Industries, Inc. can not be held responsible for discrepancies/inconsistencies that may occur due to the automobile manufacturing changes or options, or damage that may occur in the automobile during the installation of components while using this booklet.

If you have any further questions, call our toll free technical help line at: **1-800-621-3695x3**

**FACTORY STEREO REMOVAL**

**2010 HONDA INSIGHT**

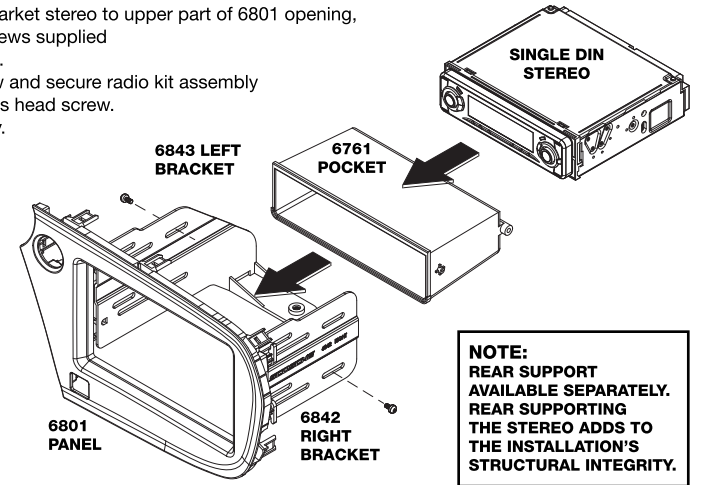
1. With panel removal tool, unclip power outlet panel underneath radio in front of shifter, unplug and remove.
2. Extract (1) 8mm screw securing radio from behind.
3. Using panel removal tool, unclip radio from face plate while with your other hand, pushing Radio forward from behind.

**MOUNTING THE STEREO**

**SINGLE DIN-ISO MOUNT**

1. Attach the 6842 & 6843 brackets to 6801 Panel using (4) screws supplied. (Shown in Figure 1).
2. Align 6761 pocket to bottom of 6801 panel opening and attach to 6842 & 6843 using (2) supplied screws. (Shown in Figure 1).
3. Align and screw aftermarket stereo to upper part of 6801 opening, and attached using screws supplied with aftermarket stereo.
4. Reconnect radio, screw and secure radio kit assembly to dash using (1) Phillips head screw.
5. Finish dash reassembly.

**FIGURE 1**



**DOUBLE DIN-ISO MOUNT**

1. Attach the 6842 and 6843 brackets to 6801 panel using (4) screws supplied.
2. Align and screw aftermarket double din stereo to 6842 and 6843 brackets using screws supplied with aftermarket stereo.  
**Note:** If hardware is not supplied with aftermarket stereo use hardware from factory stereo.
3. Reconnect stereo. Screw and secure stereo kit assembly to dash using the removed (1) Phillips head screw.
4. Finish dash reassembly.

**FIGURE 2**

