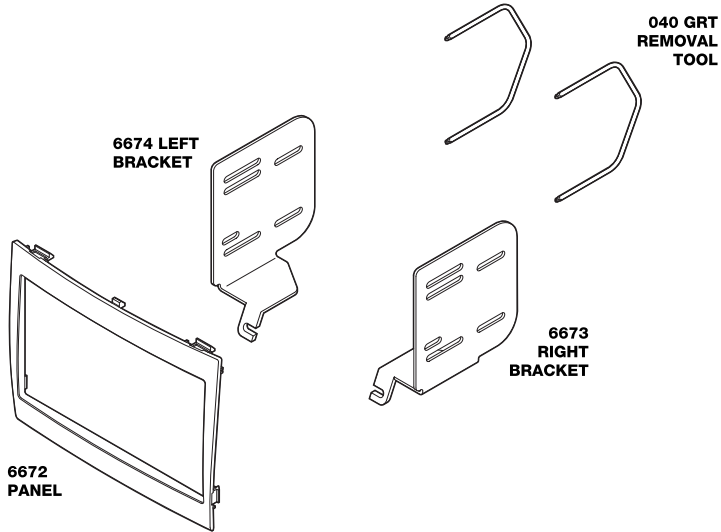


**IN-DASH DOUBLE DIN INSTALLATION KIT FOR  
2004-06 PONTIAC GTO VEHICLES**



**INTRODUCTION / PRELIMINARY**

This premium installation kit is for 2004-06 Pontiac GTO vehicles. Included are all the parts you need to mount your car stereo or CD player into your vehicle's dash. Refer to the individual instruction in this manual to remove your vehicle's factory radio and assemble the kit.

**CAUTION**  
DISCONNECT YOUR VEHICLE'S NEGATIVE BATTERY TERMINAL BEFORE THE INSTALLATION TO HELP PREVENT ELECTRICAL DAMAGE. WE RECOMMEND THE USE OF A VOLT/OHM METER OVER A TEST LIGHT TO CHECK WIRING. A TEST LIGHT OR GROUNDED WIRE PROBE CAN CAUSE DAMAGE TO THE VEHICLE'S COMPUTER AND/OR DIAGNOSTIC SYSTEMS. AVOID ALL FACTORY AIRBAG WIRING - AIRBAGS CAN ACCIDENTALLY DEPLOY CAUSING SERIOUS INJURY OR DEATH.

- NOTES**
- See your vehicle's instructions for any special tools your installation might require.
  - Read all instructions accompanying your car stereo for proper wiring and mounting instructions.

**FACTORY WIRING CODES**

For Factory Wiring Codes go to: [www.scosche-cars.com](http://www.scosche-cars.com)

**CAR STEREO CONNECTORS**

PROVIDE EASY CONNECTION OF YOUR CAR STEREO TO FACTORY WIRING HARNESS.

**VW01B**  
1986-Up  
Volkswagen

**VWAB**  
VW/European  
Antenna Converter



**LIABILITY DISCLAIMER**

This instruction booklet is based on carefully documented data and research of automobile dash disassembly, wire harness/ codes and information pertaining to installation of this kit (GM1597B) in 2004-06 Pontiac GTO vehicles. Scosche Industries, Inc. can not be held responsible for discrepancies/inconsistencies that may occur due to the automobile manufacturing changes or options, or damage that may occur in the automobile during the installation of components while using this booklet.

If you have any further questions, call our toll free technical help line at: **1-800-621-3695x3**

**FACTORY STEREO REMOVAL**

**2004-06 PONTIAC GTO**

1. Insert radio removal tool (040 GRT) and pull out stereo.
2. Remove (1) Phillips head screw underneath dash pocket.
3. Lift center console lid. Beginning at the back of the center console unsnap center console bezel, working your way up to the front toward the dash.
4. Pull back bezel, lift up, disconnect and remove
5. Remove (2) Phillips screws from the bottom edge of the stereo trim
6. Pry up on trim plate above center vents to release clips and remove panel.
7. Remove (4) Phillips screws exposed by removal of trim panel
8. Remove (2) Phillips screws on bottom edge of the metal DIN cage.
9. Pull cage out, disconnect harnesses and remove cage.

**MOUNTING THE STEREO**

**DOUBLE DIN MOUNT**

1. Screw 6673 & 6674 brackets to aftermarket double din stereo.
2. Put stereo and bracket assembly into dash cavity and connect.
3. Install (2) Phillips screws to fully secure stereo.
4. Reconnect and snap bezel back in to dash.
5. Snap 6672 panel into dash, finish reassembly.

**Note:** If hardware is not supplied with aftermarket stereo use hardware from factory stereo.

