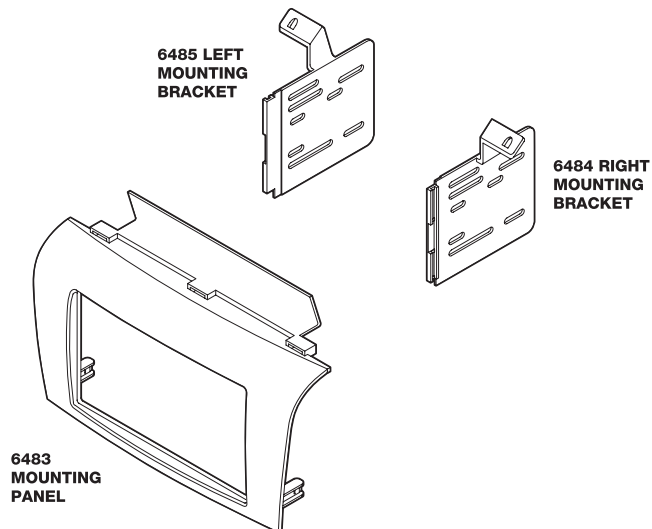


IN-DASH DOUBLE DIN STEREO INSTALLATION KIT FOR 2005-UP MAZDA 3



INTRODUCTION/PRELIMINARY

This premium installation kit is for 2005-UP Mazda 3 vehicles. Included are all the parts you need to mount your car stereo or CD player into your vehicle's dash. Refer to the individual instruction in this manual to remove your vehicle's factory radio and assemble the kit.

CAUTION

DISCONNECT YOUR VEHICLE'S NEGATIVE BATTERY TERMINAL BEFORE THE INSTALLATION TO HELP PREVENT ELECTRICAL DAMAGE. WE RECOMMEND THE USE OF A VOLT/OHM METER OVER A TEST LIGHT TO CHECK WIRING. A TEST LIGHT OR GROUNDED WIRE PROBE CAN CAUSE DAMAGE TO THE VEHICLE'S COMPUTER AND/OR DIAGNOSTIC SYSTEMS. AVOID ALL FACTORY AIRBAG WIRING - AIRBAGS CAN ACCIDENTALLY DEPLOY CAUSING SERIOUS INJURY OR DEATH.

NOTES

- See your vehicle's instructions for any special tools your installation might require.
- Read all instructions accompanying your car stereo for proper wiring and mounting instructions.

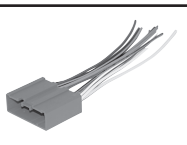
FACTORY WIRING CODES

For Factory Wiring Codes go to: www.scosche-cars.com

CAR STEREO CONNECTORS

PROVIDE EASY CONNECTION OF YOUR CAR STEREO TO FACTORY WIRING HARNESS.

MA03B
2005-UP Mazda 3
Standard System



LIABILITY DISCLAIMER

This instruction booklet is based on carefully documented data and research of automobile dash disassembly, wire harness/codes and information pertaining to installation of this kit (MA1540B) in 2005-UP Mazda 3 vehicles. Scosche Industries, Inc. cannot be held responsible for discrepancies/inconsistencies that may occur due to the automobile manufacturing changes or options, or damage that may occur in the automobile during the installation of components while using this booklet.

If you have any further questions, call our toll free technical help line at: **1-800-621-3695x3**

FACTORY STEREO REMOVAL

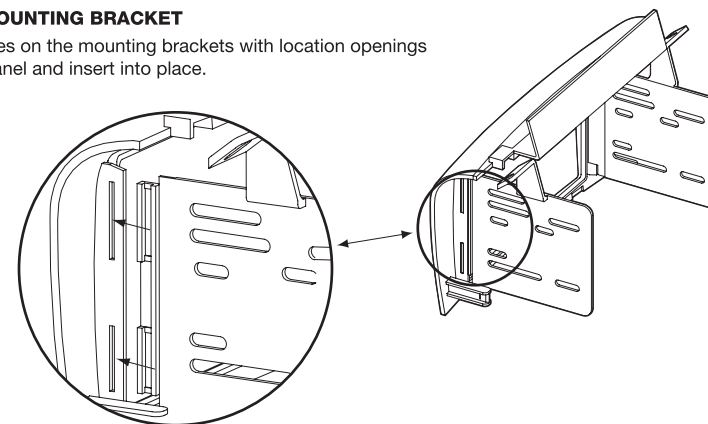
RADIO REMOVAL

1. Unsnap radio and clock display trim bezel starting from the driver's side to the passenger side to prevent breaking locator tab. Lift away and remove.
2. Unscrew (2) Phillips head screws from behind.
3. Unsnap radio by pulling towards rear of vehicle, lift away, disconnect and remove.

MOUNTING THE STEREO

ATTACHING THE MOUNTING BRACKET

Align the (2) "L" wedges on the mounting brackets with location openings on the kit mounting panel and insert into place.



DOUBLE DIN ISO MOUNT

1. Slide the left and right ISO brackets into their corresponding slots in the kit panel (see illustration above).
2. Mount the stereo to the brackets with the stereo supplied screws.
3. Snap the trim ring into place.

NOTE:
REAR SUPPORT AVAILABLE SEPARATELY. REAR SUPPORTING THE STEREO ADDS TO THE INSTALLATION'S STRUCTURAL INTEGRITY.

