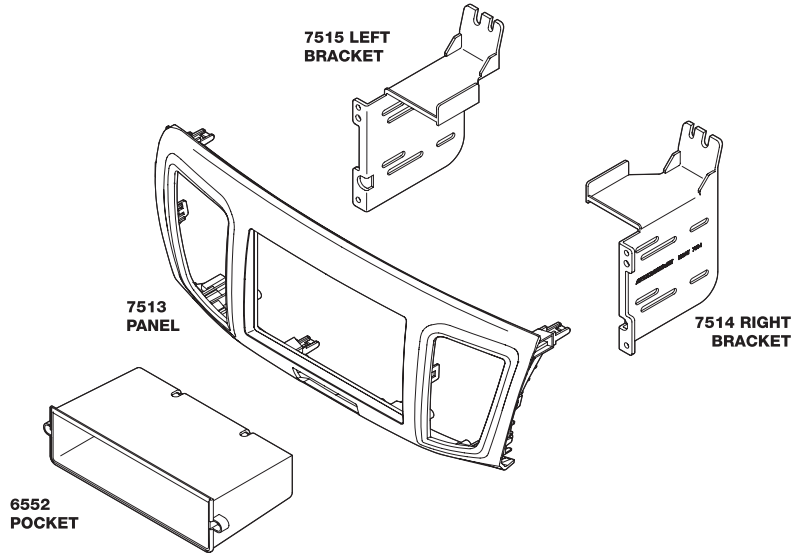


IN-DASH STEREO INSTALLATION KIT FOR 2013-UP HONDA ACCORD



INTRODUCTION / PRELIMINARY

This premium installation kit is for 2013-Up Honda Accord vehicles. Included are all the parts you need to mount your car stereo or CD player into your vehicle's dash. Refer to the individual instruction in this manual to remove your vehicle's factory radio and assemble the kit.

CAUTION

Disconnect your vehicle's negative battery terminal before the installation to help prevent electrical damage. We recommend the use of a volt/ohm meter over a test light to check wiring. A test light or grounded wire probe can cause damage to the vehicle's computer and/or diagnostic systems. Avoid all factory airbag wiring - airbags can accidentally deploy causing serious injury or death.

NOTES

- See your vehicle's instructions for any special tools your installation might require.
- Read all instructions accompanying your car stereo for proper wiring and mounting instructions.

FACTORY WIRING CODES

For Factory Wiring Codes go to: www.scosche-cars.com

CAR STEREO CONNECTORS	
HA11B PROVIDE EASY CONNECTION OF YOUR CAR STEREO TO FACTORY WIRING HARNESS. 2008-Up Honda	HAA2B 2006-Up Honda Antenna Adapter

LIABILITY DISCLAIMER

This instruction booklet is based on carefully documented data and research of automobile dash disassembly, wire harness/codes and information pertaining to installation of this kit (HA1717B) in 2013-Up Honda Accord vehicles. Scosche Industries, Inc. can not be held responsible for discrepancies/inconsistencies that may occur due to the automobile manufacturing changes or options, or damage that may occur in the automobile during the installation of components while using this booklet.

If you have any further questions, call our toll free technical help line at: **1-800-621-3695x3**

FACTORY STEREO REMOVAL

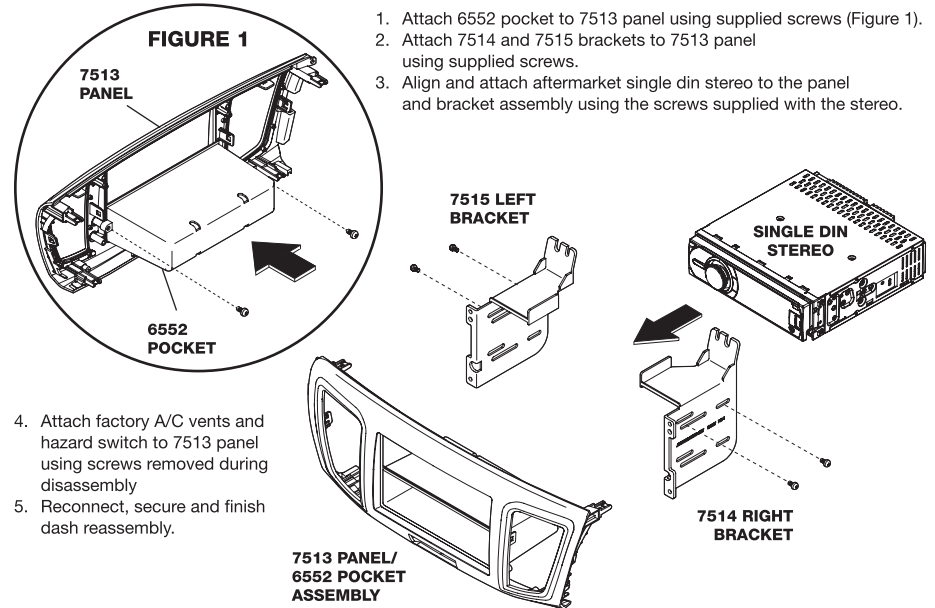
2013-UP HONDA ACCORD

1. Use panel removal tool (PRT) to unclip panel above the push to start button, unplug and remove.
2. Use PRT to remove top panel above radio, extract (2) Phillips head screws that were under panel.
3. Use PRT to remove both left and right silver trims on center console.
4. Extract (2) Phillips head screws at upper dash pocket and remove.
5. Extract (2) 8mm screws located under radio, Disconnect and remove radio.
6. Remove factory A/C vents and hazard switch from radio. Retain for reassembly.

MOUNTING THE STEREO

SINGLE DIN-ISO MOUNT

1. Attach 6552 pocket to 7513 panel using supplied screws (Figure 1).
2. Attach 7514 and 7515 brackets to 7513 panel using supplied screws.
3. Align and attach aftermarket single din stereo to the panel and bracket assembly using the screws supplied with the stereo.



4. Attach factory A/C vents and hazard switch to 7513 panel using screws removed during disassembly
5. Reconnect, secure and finish dash reassembly.

DOUBLE DIN-ISO MOUNT

1. Attach 7514 and 7515 brackets to 7513 panel using supplied screws.
2. Align and attach aftermarket double din stereo to the panel and bracket assembly using the screws supplied with the stereo.
3. Attach factory A/C vents and hazard switch to 7513 panel using screws removed during disassembly
4. Reconnect, secure and finish dash reassembly.

