



48KSS269 Installation Guide

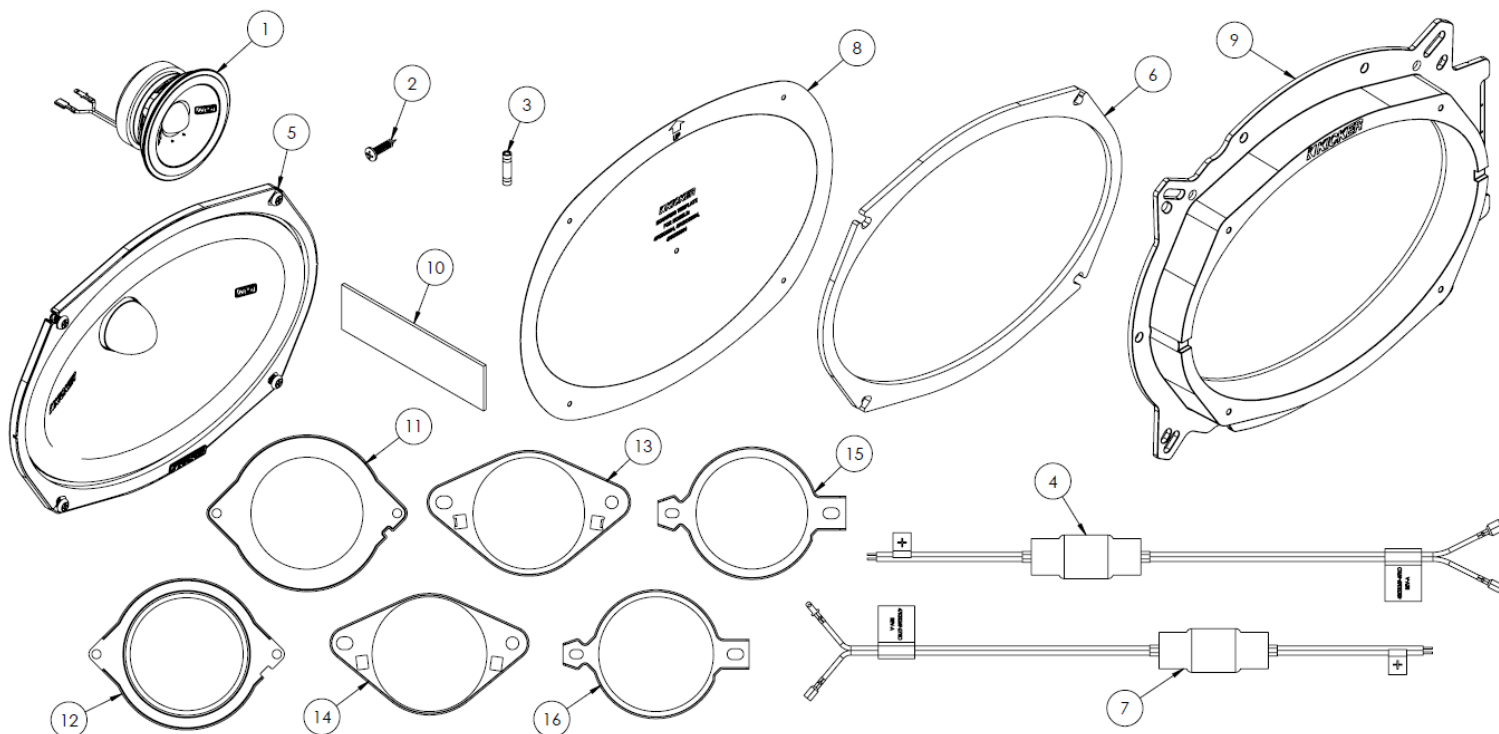
TABLE OF CONTENTS

Parts List	2
Assembling and Mounting the KSC270	3
Mounting the KSS69 Woofer	5
Mounting the KSS69 Woofer Using the Adapter	7
48KSS269-27XO Mid-Range Tweeter Crossover	10
48KSS269-69XO Mid-Range Woofer Crossover	12

**READ AND UNDERSTAND ALL OF THESE INSTRUCTIONS BEFORE
INSTALLATION!**

PARTS LIST

ITEM NO.	DESCRIPTION	QTY.
1	2.75" KSC270 MID-RANGE/TWEETER	2
2	30mm LONG SHEET METAL MOUNTING SCREW	12
3	BUTT CONNECTOR	8
4	48KSS269-27XO 2.75" MID-RANGE/TWEETER CROSSOVER	2
5	6"x9" KSS69 MID-BASS WOOFER	2
6	6"x9" MID-BASS WOOFER BACK GASKET/SPACER	2
7	48KSS269-69XO 6"x9" MID-BASS WOOFER CROSSOVER	2
8	6"x9" MID-BASS WOOFER MOUNTING TEMPLATE	2
9	6"x9" MID-BASS WOOFER MOUNTING ADAPTER	2
10	FOAM DAMPENER FOR MOUNTING ADAPTER	2
11	JEEP JL FLANGE	2
12	JEEP JL RETAINER	2
13	SUBARU/TOYOTA FLANGE	2
14	SUBARU/TOYOTA RETAINER	2
15	GM/CHRYSLER FLANGE	2
16	GM/CHRYSLER RETAINER	2
17	BLACK ADHESIVE TO SECURE FLANGE TO RETAINER (NOT SHOWN)	2



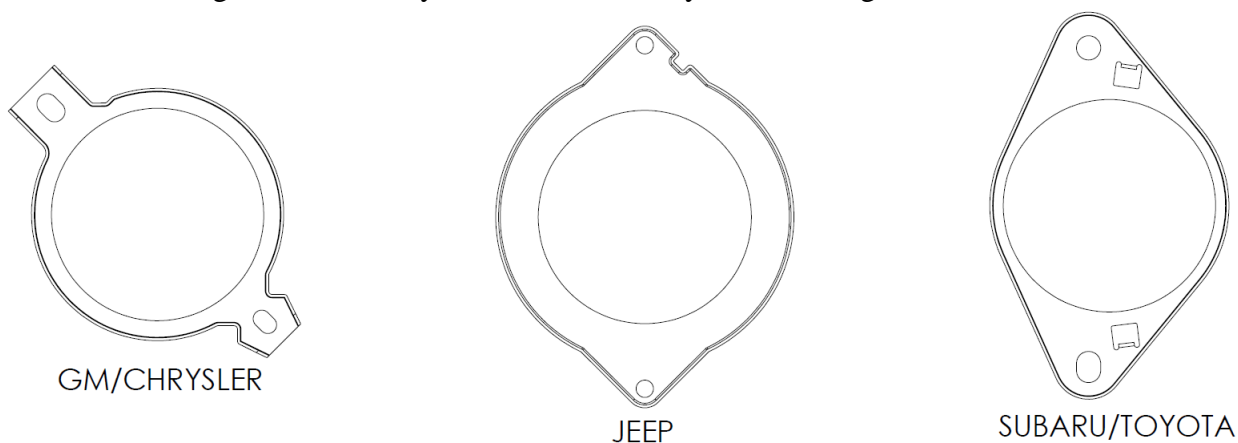


Kicker 48KSS269 system packs pair the Kicker KSC270 mid-range tweeter with a 6"x9" mid-bass woofer for replacement of factory speakers. The KSC270 utilizes a choice of three different mounting flanges allowing for bolt-in replacement for some GM, Chrysler, Subaru, Toyota, and Jeep models. This document demonstrates mounting and wiring of the KSS270 mid-range tweeter and 6"x9" mid-bass woofer for the following Kicker models:

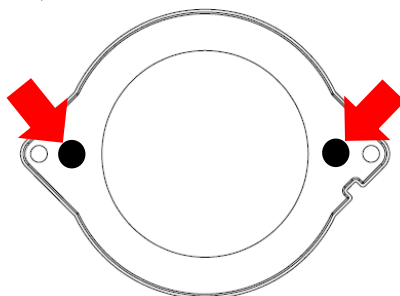
- 49KSS269

ASSEMBLING AND MOUNTING THE KSC270

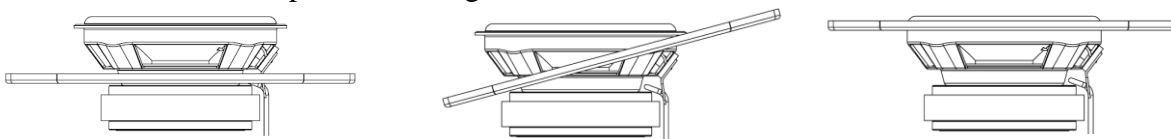
1. Find flange that matches your vehicle's factory tweeter flange.



2. Place a "BB" sized piece of black adhesive in the general location shown on the flange. (Black adhesive is not necessary for installation. Adhesive aids in holding the assembly together during installation.)

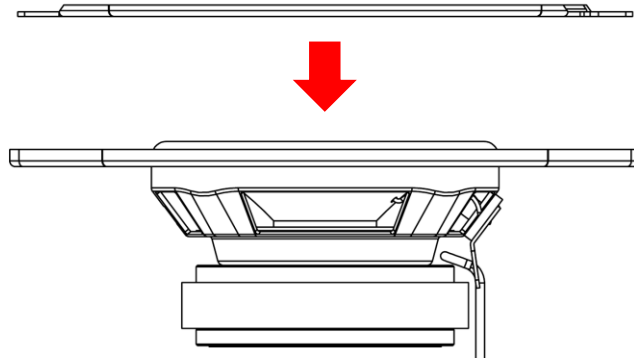


3. Route KCS270 wires and motor through the flange. **NOTE:** Place flange over terminals first, then locate speaker in flange.

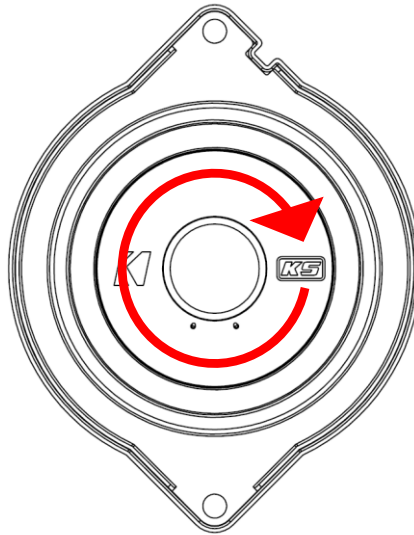




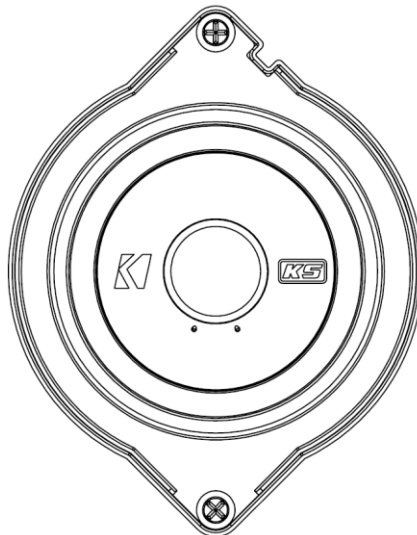
4. Place retainer on top of speaker and inside the flange. If black adhesive is used, press retainer into adhesive on the flange.



5. Rotate speaker to desired orientation in the flange.



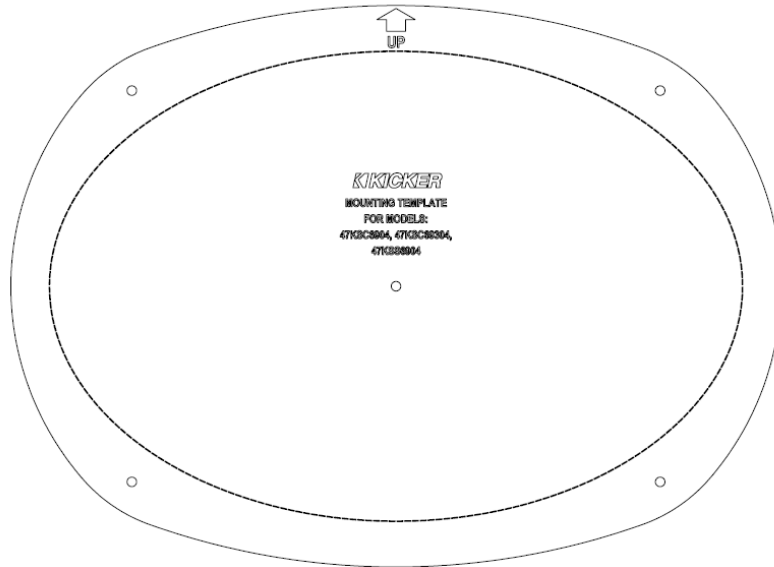
6. Fasten speaker to mounting location using the factory hardware or supplied screws.



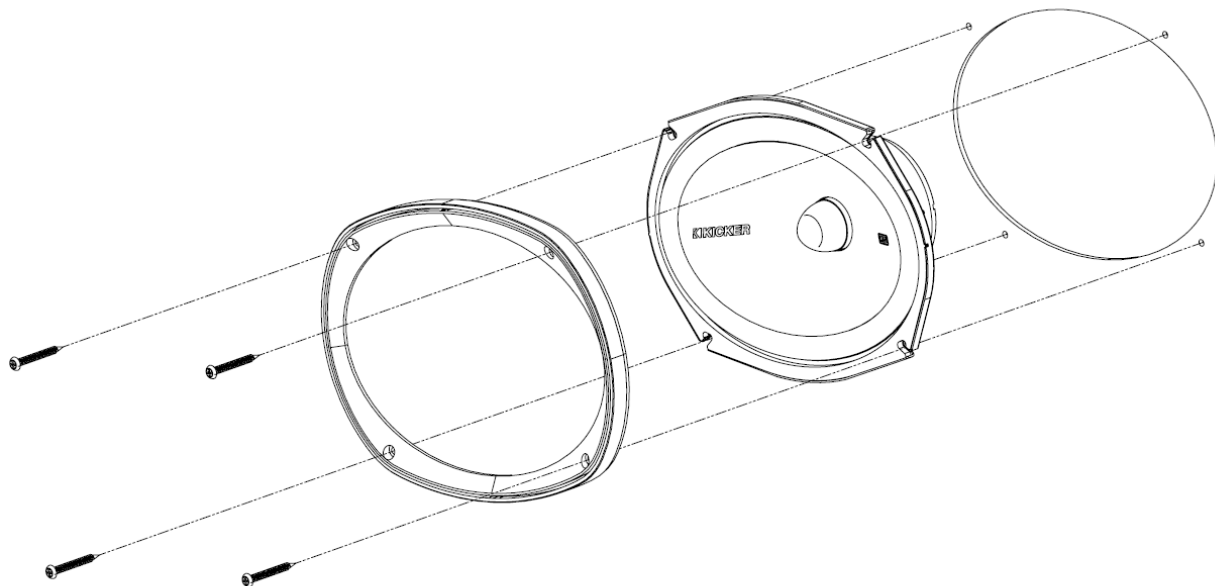


MOUNTING THE KSS69 WOOFER

1. Prepare the speaker harness to accept the Kicker KSS speaker. Review “48KSS269-69XO MID-RANGE WOOFER CROSSOVERS” section of the document.
2. Use the mounting template to cut and drill holes for custom mounting locations. Be cautious not to drill into any components behind the surface.

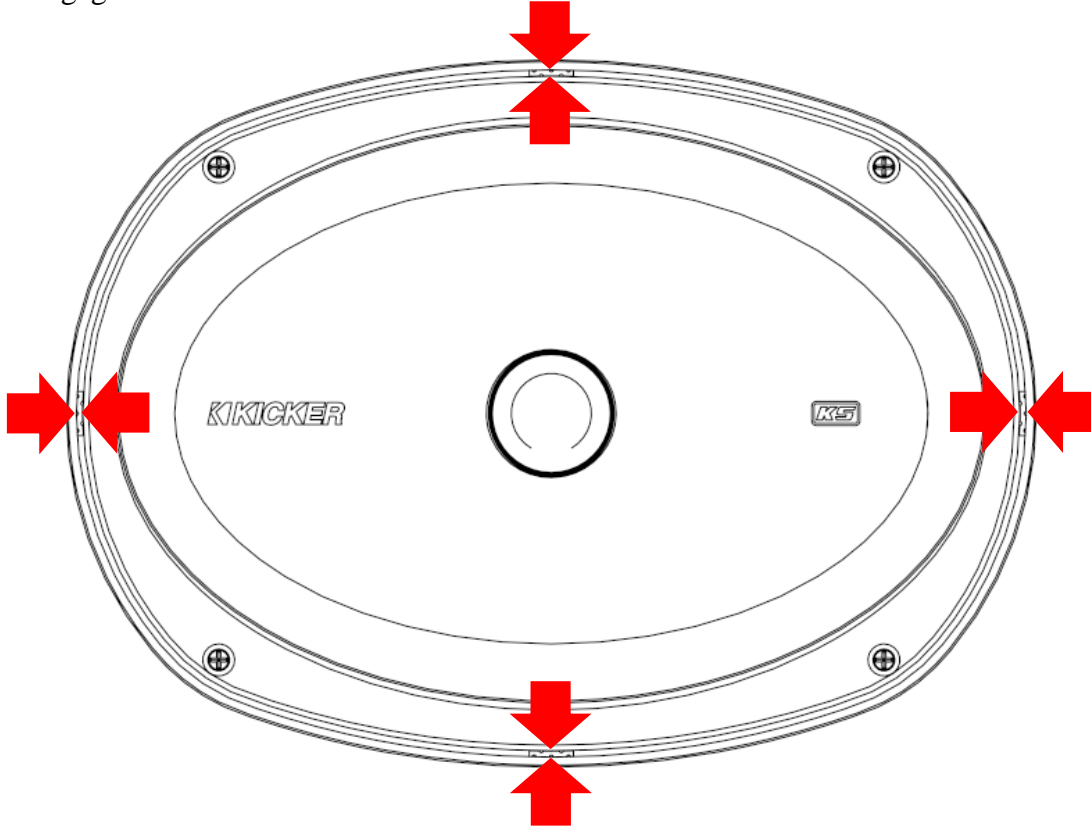


3. Using the supplied screws or factory hardware, mount the speaker to its mounting panel. If speaker is placed behind a door panel do not use the grille.

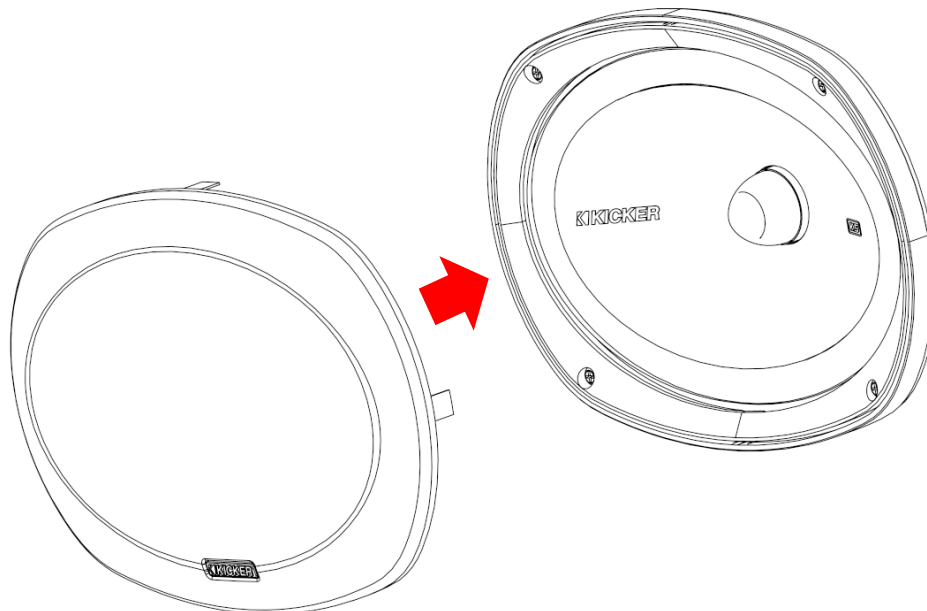




4. Apply the black adhesive into the gap of the bezel where the grille's tabs insert and engage the bezel.



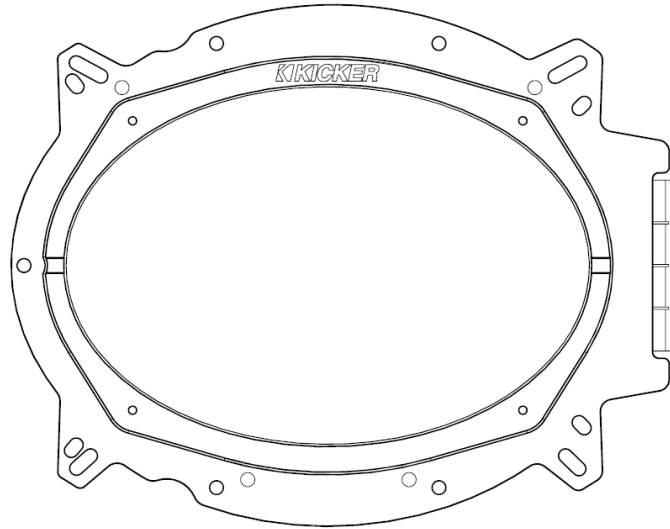
5. Carefully insert grille into the gap in the bezel.



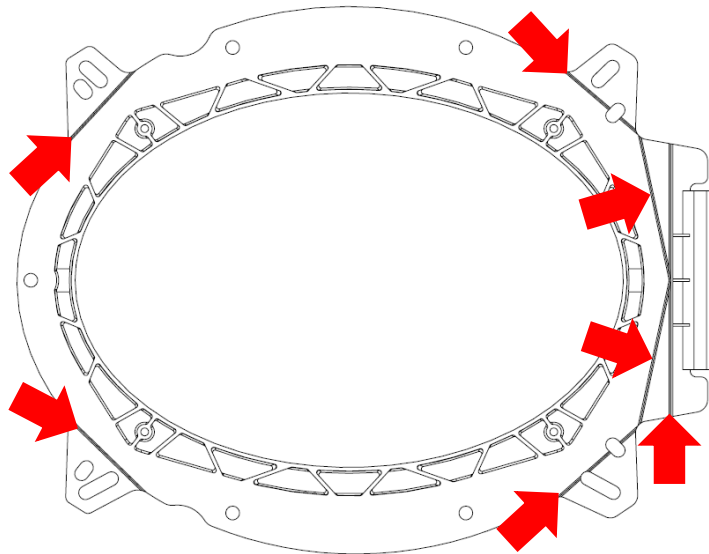


MOUNTING THE KSS69 WOOFER USING THE ADAPTER

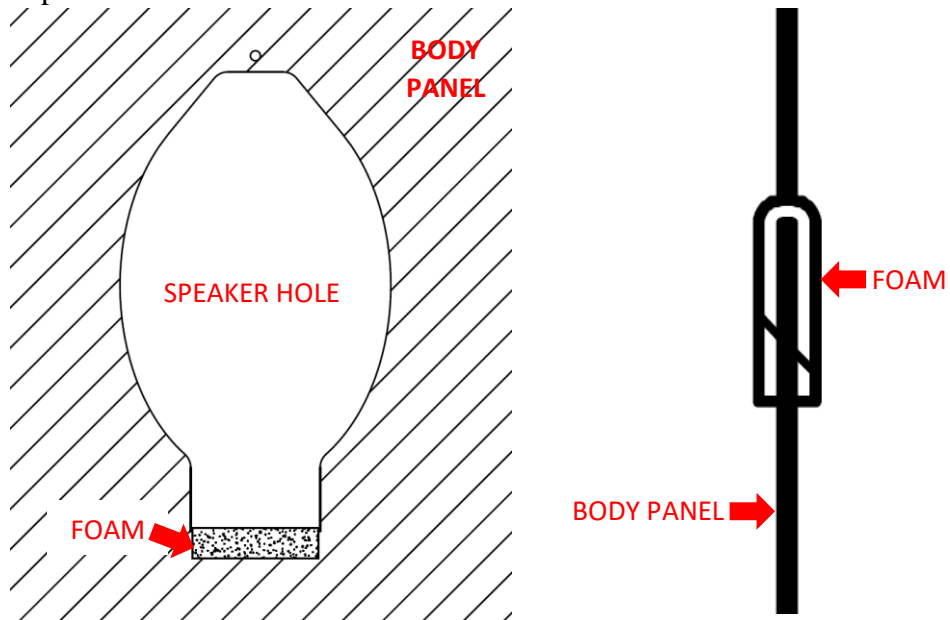
1. If necessary, use the mid-bass woofer mounting adapter. Find the bolt pattern that matches your factory speaker. Factory mounting hardware will be reused.



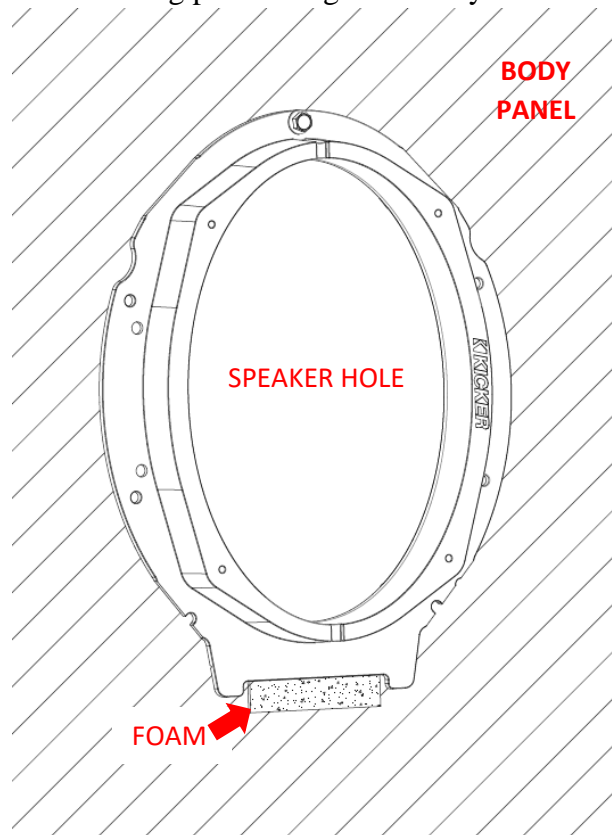
2. Using side cutters remove any tabs that may impede installation of adapter or reassembly of factory components. Cutting locations are molded into the backside of the adapter.



3. For some applications the adapter clips to the mounting panel on one side. It may be necessary use the foam damper to tighten the fitment of the of the clip-on side of the adapter.

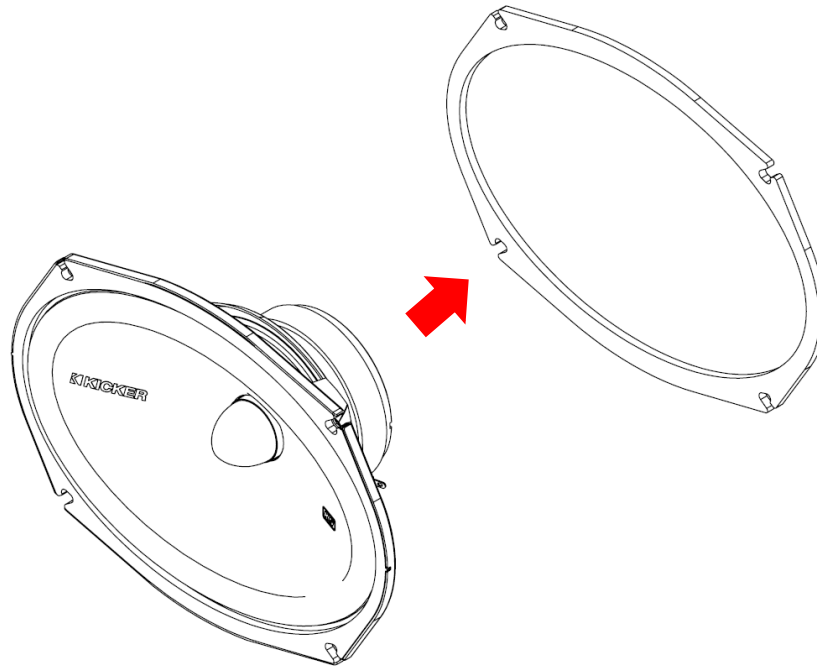


4. Fasten the adapter to the mounting panel using the factory hardware.

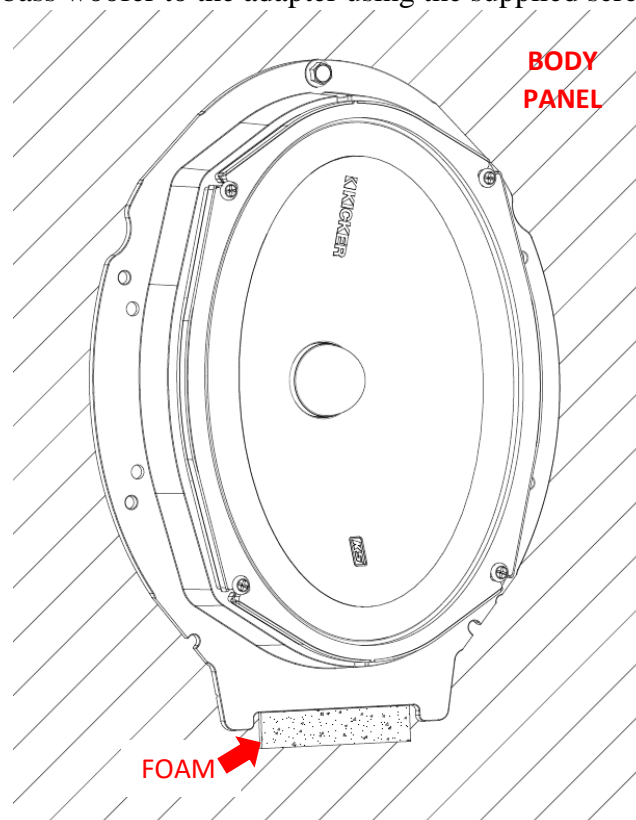




5. A back gasket/spacer is included to improve fitment. It may be necessary to space the speaker motor further way from accessories (windows tracks, lock actuators, etc.) in some applications. If necessary, use the back gasket/spacer.



6. Fasten the mid-bass woofer to the adapter using the supplied screws.



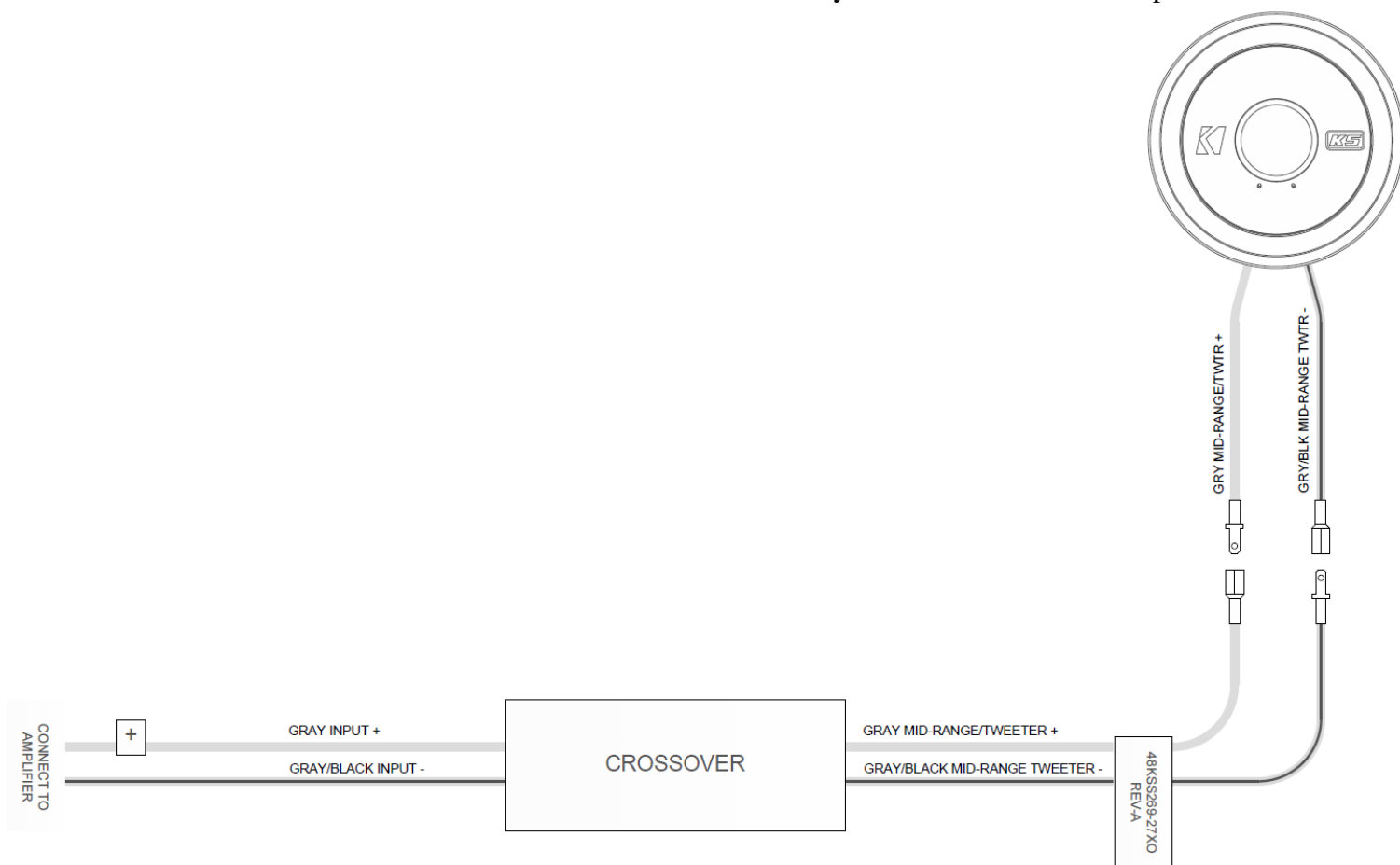


48KSS269-27XO MID-RANGE/TWEETER CROSSOVER



DANGER! Electrical hazard. Burns, electric shock, or damage to equipment may occur during connection of electrical wires. Always disconnect the vehicle's power source before making wire connections.

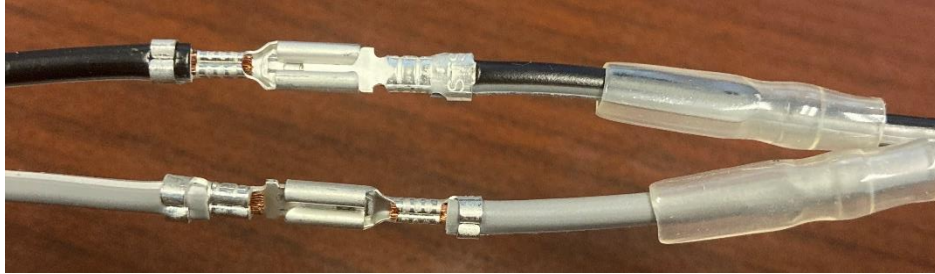
Kicker supplies crossovers for KSC270 to optimize the sound of the speakers. The 48KSS269-27XO crossover is terminated so that it will only connect to the KSC270 speaker.



NOTE: The KSS270 crossover is labeled with the part number 48KSS269-27XO.



1. Connect the crossover terminals and receptacles to their respective mating connector and wire color on the KSS270 mid-range tweeter. The 48KSS269-27XO crossover terminals are opposites so they only connect to the correct circuit.



2. Slide the clear cover over the terminals to prevent a short circuit.



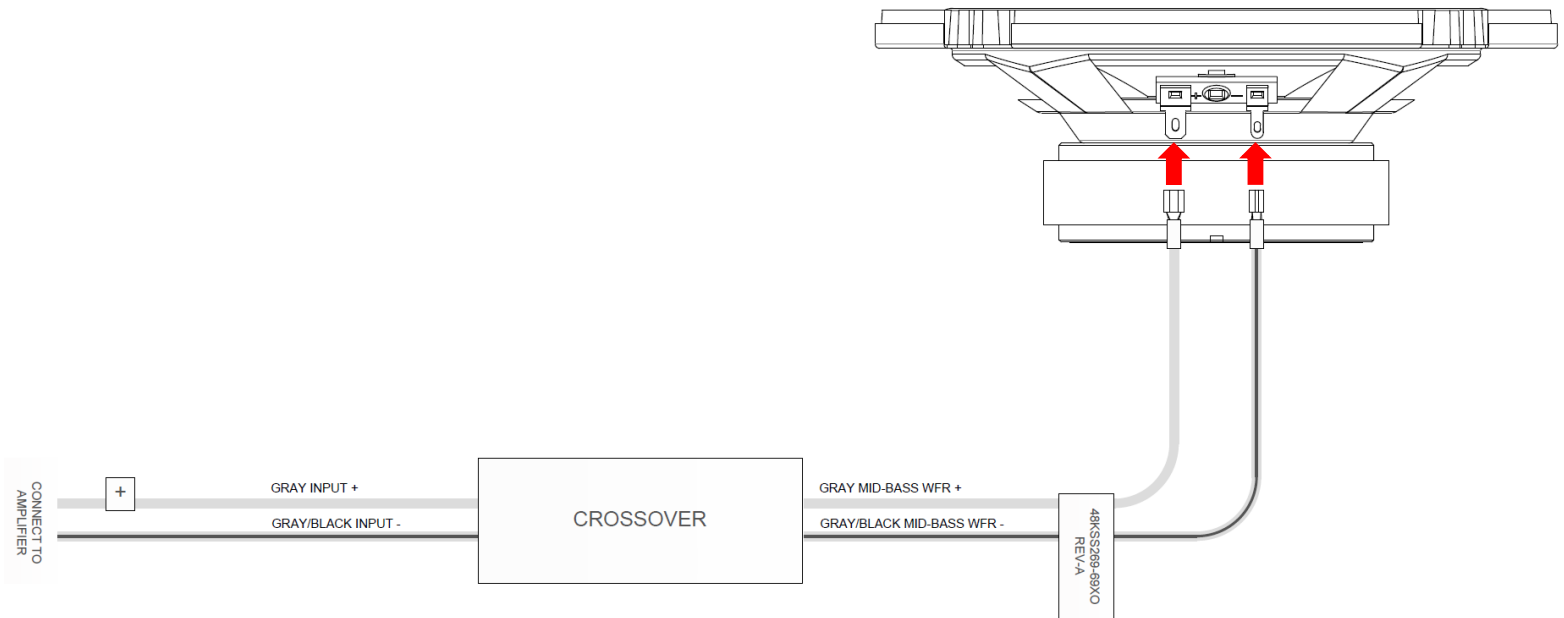
3. Connect the crossover input to the outputs of the head unit or amplifier using the supplied butt connectors. The positive lead is the wire with gray insulation labeled with a “plus” symbol. The negative lead has gray insulation with a black stripe on it.





48KSS269-69XO MID-RANGE WOOFER CROSSOVERS

The Kicker 48KSS269 system-pack pairs the KSC270 with a 6"x9" mid-bass woofer. Kicker supplies crossovers with the 48KSS269 system-pack to optimize the sound of the 6"x9" mid-bass woofer when paired with the KSS270 mid-range tweeter. The 48KSS269-69XO crossover is terminated so that it will connect directly to the KSS69 mid-bass woofer.



NOTE: The crossover for the mid-bass woofer is labeled part number 48KSS269-69XO.

1. Connect the crossover receptacles directly to the respective terminals on the mid-bass woofer.





2. Slide the clear cover over the terminals to prevent a short circuit.



3. Connect the crossover input to the outputs of the head unit or amplifier using the supplied butt connectors. The positive lead is the wire with gray insulation labeled with a “plus” symbol. The negative lead has gray insulation with a black stripe on it.

