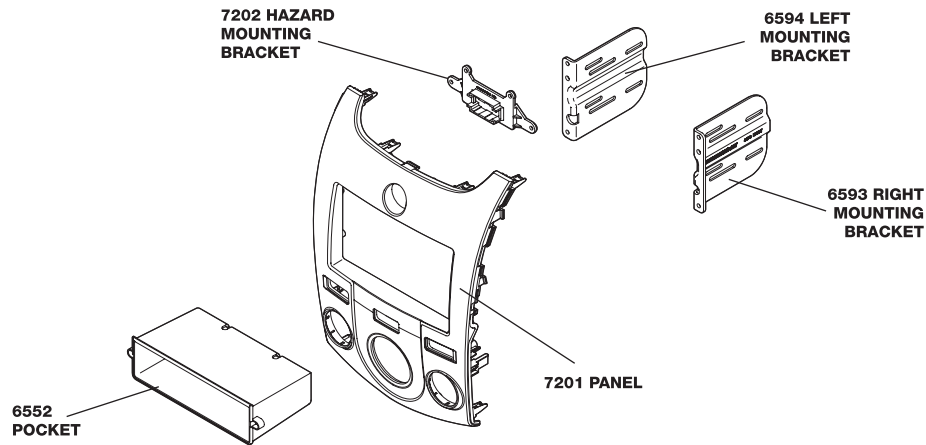


IN-DASH STEREO INSTALLATION KIT FOR 2010 KIA FORTE



INTRODUCTION/PRELIMINARY

This premium installation kit is for 2010 Kia Forte vehicles. Included are all the parts you need to mount your car stereo or CD player into your vehicle's dash. Refer to the individual instruction in this manual to remove your vehicle's factory radio and assemble the kit.

CAUTION
DISCONNECT YOUR VEHICLE'S NEGATIVE BATTERY TERMINAL BEFORE THE INSTALLATION TO HELP PREVENT ELECTRICAL DAMAGE. WE RECOMMEND THE USE OF A VOLT/OHM METER OVER A TEST LIGHT TO CHECK WIRING. A TEST LIGHT OR GROUNDED WIRE PROBE CAN CAUSE DAMAGE TO THE VEHICLE'S COMPUTER AND/OR DIAGNOSTIC SYSTEMS. AVOID ALL FACTORY AIRBAG WIRING - AIRBAGS CAN ACCIDENTALLY DEPLOY CAUSING SERIOUS INJURY OR DEATH.

NOTES

- See your vehicle's instructions for any special tools your installation might require.
- Read all instructions accompanying your car stereo for proper wiring and mounting instructions.

FACTORY WIRING CODES

For Factory Wiring Codes go to: www.scosche-cars.com

CAR STEREO CONNECTORS

PROVIDE EASY CONNECTION OF YOUR CAR STEREO TO FACTORY WIRING HARNESS.

HY10B

2008-Up Hyundai
Harness

KAAB

2008-Up Select Kia /
Hyundai Antenna Adapter

HY10B



KAAB



LIABILITY DISCLAIMER

This instruction booklet is based on carefully documented data and research of automobile dash disassembly, wire harness/codes and information pertaining to installation of this kit (KA2410B/KA2410SB) in 2010 Kia Forte vehicles. Scosche Industries, Inc. cannot be held responsible for discrepancies/inconsistencies that may occur due to the automobile manufacturing changes or options, or damage that may occur in the automobile during the installation of components while using this booklet.

If you have any further questions, call our toll free technical help line at: **1-800-621-3695x3**

FACTORY STEREO REMOVAL

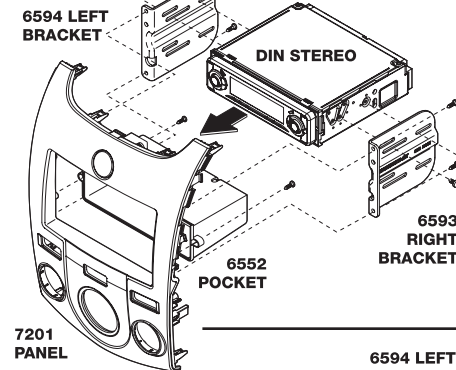
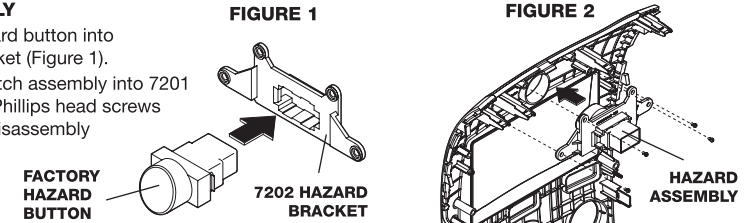
2010 KIA FORTE

1. With panel removal tool (PRT) unclip air vents on the left and right side of the factory stereo.
Note: If air vent's trim bezel pops out but not the vent itself, be sure to remove the vent after you have removed the bezel.
2. Extract (4) Phillips head screws securing stereo - (2) on the left and (2) on the right.
3. With PRT unclip stereo, unplug and remove.
4. Remove A/C control panel from factory stereo panel by extracting (4) Phillips head screws from behind.
5. Remove hazard switch assembly from factory stereo panel by extracting (4) Phillips head screws. Retain for reassembly.
6. Unclip hazard button from assembly and retain for reassembly.

MOUNTING THE STEREO

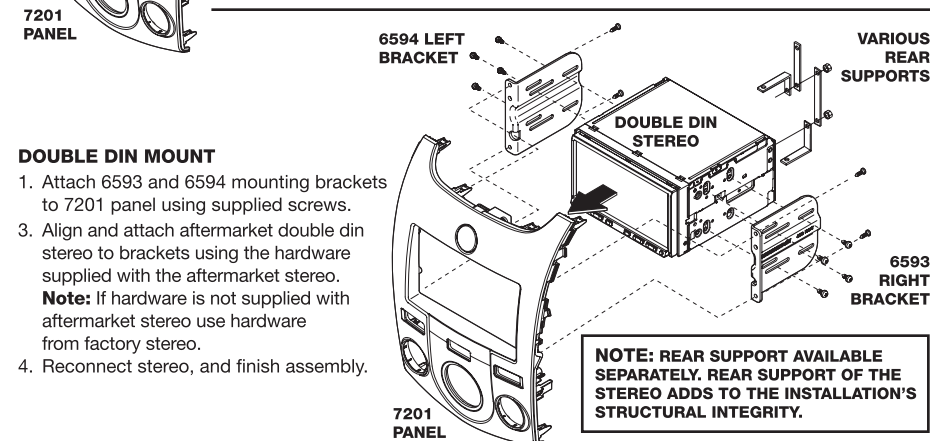
HAZARD ASSEMBLY

1. Snap factory hazard button into 7202 hazard bracket (Figure 1).
2. Screw hazard switch assembly into 7201 kit panel with (4) Phillips head screws removed during disassembly (Figure 2).



SINGLE DIN MOUNT

1. Attach 6552 pocket to 7201 panel using screws supplied with kit.
2. Attach 6593 and 6594 mounting brackets to 7201 panel using supplied screws.
3. Align and attach aftermarket single din stereo to brackets using the hardware supplied with the aftermarket stereo. **Note:** If hardware is not supplied with aftermarket stereo use hardware from factory stereo.
4. Reconnect stereo, and finish assembly.



DOUBLE DIN MOUNT

1. Attach 6593 and 6594 mounting brackets to 7201 panel using supplied screws.
3. Align and attach aftermarket double din stereo to brackets using the hardware supplied with the aftermarket stereo. **Note:** If hardware is not supplied with aftermarket stereo use hardware from factory stereo.
4. Reconnect stereo, and finish assembly.

NOTE: REAR SUPPORT AVAILABLE SEPARATELY. REAR SUPPORT OF THE STEREO ADDS TO THE INSTALLATION'S STRUCTURAL INTEGRITY.