

KIT PANEL ASSEMBLY

A. SINGLE ISO DIN INSTALLATION:

For ISO installation, attach ISO brackets to panel supplied (4) screws. (See Illustrations 1)

ILLUSTRATION 1

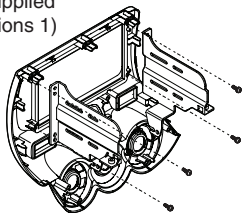
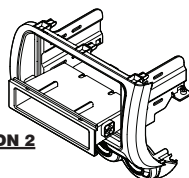


ILLUSTRATION 2



B. ATTACHING THE POCKET

1. Align the pocket to the lower edge of the opening of in the panel. The slide in, as shown. The front of the pocket should rest flush to front of panel. (See Illustration 2)
2. Install (2) pocket screws as shown. (See Illustration 3)

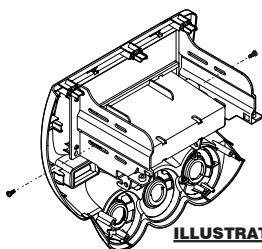


ILLUSTRATION 3

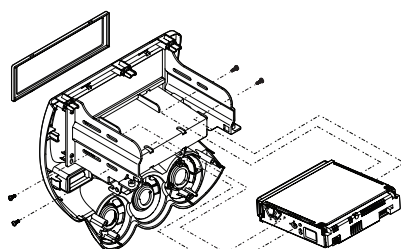


ILLUSTRATION 4

C. MOUNTING THE RADIO

Align, Position and bolt ISO-DIN head unit and snap trim ring into place. (See Illustration 4)

MOUNTING THE RADIO (2 Single ISO DIN/DBL ISO DIN)

1. For ISO installation, attach ISO brackets to panel supplied (4) screws.
2. Align position and bolt the aftermarket two ISO-DIN or one Double DIN head unit, and snap trim ring into place. (See Illustration 5)

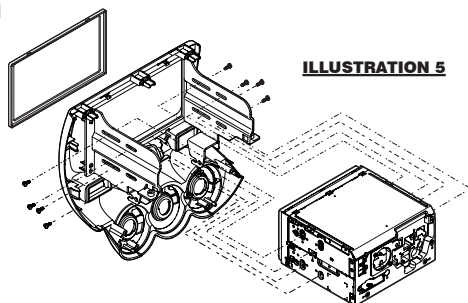


ILLUSTRATION 5

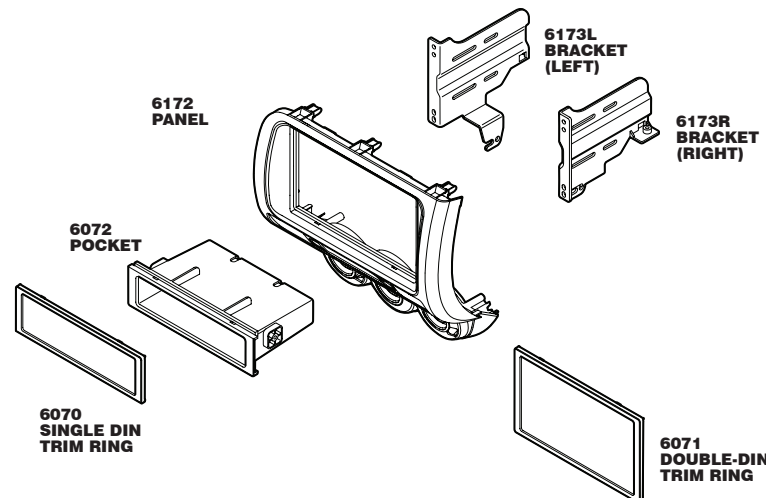
RADIO REMOVAL AND IN-DASH INSTALLATION

1. Extract 1 PHS from underneath the HVAC controls. Remove the trim plate that the screw was securing. Extract 2 5/16" bolts located inside the HVAC area.
2. Drop down the glove box and disconnect 3 HVAC control cable connected to the A/C box behind the glove box.
3. Using a PRT remove the radio. Disconnect and remove.

SCOSCHE

HA1558B

2007 HONDA FIT / FIT SPORT DASH REPLACEMENT KIT



INTRODUCTION

This premium installation kit is for 2007 Honda FIT vehicles. Included are all the parts you need to mount your car stereo/cassette or CD player into your vehicle's dash. Refer to the individual instruction in this manual to remove your vehicle's factory radio and assemble the kits.

CAUTION:

DISCONNECT YOUR VEHICLE'S NEGATIVE BATTERY TERMINAL BEFORE THE INSTALLATION TO HELP PREVENT ELECTRICAL DAMAGE. WE RECOMMEND THE USE OF A VOLT/OHM METER OVER A TEST LIGHT TO CHECK WIRING. A TEST LIGHT OR GROUNDED WIRE PROBE CAN CAUSE DAMAGE TO THE VEHICLE'S COMPUTER AND/OR DIAGNOSTIC SYSTEMS. AVOID ALL FACTORY AIRBAG WIRING - AIRBAGS CAN ACCIDENTLY DEPLOY CAUSING SERIOUS INJURY OR DEATH.

NOTES:

- See your vehicle's instructions or any special tools your installation might require.
- Read all instructions accompanying your car stereo/cassette player for proper wiring and mounting instructions.

FACTORY WIRING CODES

For Factory Wiring Codes go to: www.scosche-cars.com

CAR STEREO CONNECTORS

PROVIDE EASY CONNECTION OF YOUR CAR STEREO TO FACTORY WIRING HARNESS.

HA10
2006-UP Honda

HAAB
2006-UP Honda



LIABILITY DISCLAIMER

This instruction booklet is based on carefully documented data and research of automobile dash disassembly, wire harness/codes and information pertaining to installation of this kit (HA1558B) in 2007 Honda FIT Vehicles. Scosche Industries, Inc. can not be held responsible for discrepancies/inconsistencies that may occur due to the automobile manufacturing changes or options, or damage that may occur in the automobile during the installation of components while using this booklet.

If you have any further questions, call our toll free technical help line at: **1-800-621-3695x3**
©2007 SCOSCHE INDUSTRIES, INC. SI 05/07 - HA1558B (3000003)