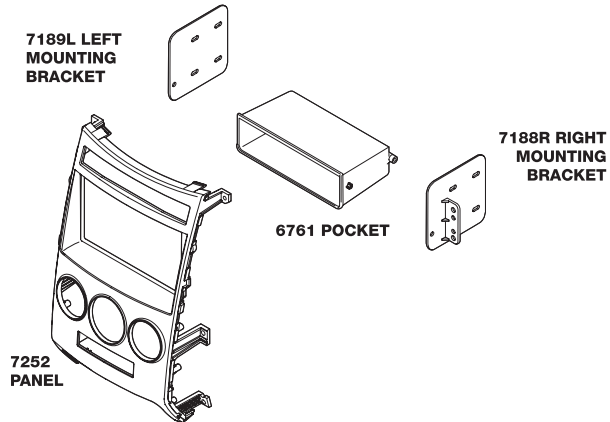


IN-DASH STEREO INSTALLATION KIT FOR 2007-UP HYUNDAI VERACRUZ (WITH MANUAL CLIMATE CONTROLS)



INTRODUCTION/PRELIMINARY

This premium installation kit is for 2007-UP Hyundai Veracruz vehicles. Included are all the parts you need to mount your car stereo or CD player into your vehicle's dash. Refer to the individual instruction in this manual to remove your vehicle's factory radio and assemble the kit.

CAUTION
DISCONNECT YOUR VEHICLE'S NEGATIVE BATTERY TERMINAL BEFORE THE INSTALLATION TO HELP PREVENT ELECTRICAL DAMAGE. WE RECOMMEND THE USE OF A VOLT/OHM METER OVER A TEST LIGHT TO CHECK WIRING. A TEST LIGHT OR GROUNDED WIRE PROBE CAN CAUSE DAMAGE TO THE VEHICLE'S COMPUTER AND/OR DIAGNOSTIC SYSTEMS. AVOID ALL FACTORY AIRBAG WIRING - AIRBAGS CAN ACCIDENTALLY DEPLOY CAUSING SERIOUS INJURY OR DEATH.

- NOTES**
- See your vehicle's instructions for any special tools your installation might require.
 - Read all instructions accompanying your car stereo for proper wiring and mounting instructions.

FACTORY WIRING CODES

For Factory Wiring Codes go to: www.scosche-cars.com

CAR STEREO CONNECTORS			
PROVIDE EASY CONNECTION OF YOUR CAR STEREO TO FACTORY WIRING HARNESS.			
HY11B 2008-Up Hyundai Premium Sound Harness (amplified systems only)	KAAB 2008 Select Kia / Hyundai Antenna Adapter		HY10B
HY10B 2008-Up Hyundai Harness	HY08B		KAAB
HY08B 2006-Up Hyundai with Infinity Sound System Harness	HY07B		
HY07B 2006-Up Hyundai Harness			

LIABILITY DISCLAIMER

This instruction booklet is based on carefully documented data and research of automobile dash disassembly, wire harness/ codes and information pertaining to installation of this kit (HY1629B) in 2007-Up Hyundai Veracruz vehicles. Scosche Industries, Inc. cannot be held responsible for discrepancies/inconsistencies that may occur due to the automobile manufacturing changes or options, or damage that may occur in the automobile during the installation of components while using this booklet.

If you have any further questions, call our toll free technical help line at: **1-800-621-3695x3**

FACTORY STEREO REMOVAL

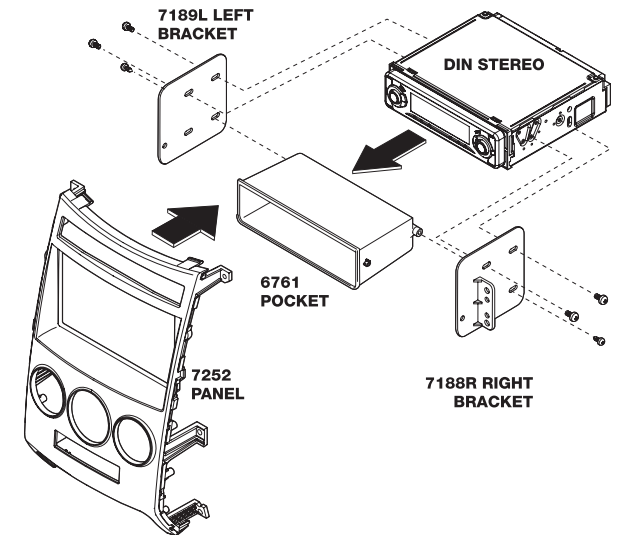
2007-UP HYUNDAI VERACRUZ

1. Use a panel removal tool to remove left and right side trim panels around stereo. Unplug hazard switch and remove panel.
2. Remove (10) Phillips head screws securing factory stereo .
3. Pull out stereo. Unplug harness and antenna, then remove stereo.
4. Using a Phillips head screwdriver extract (6) screws attaching the stereo to the factory panel, and remove.
5. Using a Phillips head screwdriver extract (10) screws attaching the HVAC controls, lower pocket and upper passenger airbag light to factory panel, and remove these items. **Note:** Use the factory screws to re-install these items on the Scosche 7252 kit panel before installing the aftermarket stereo.

MOUNTING THE STEREO

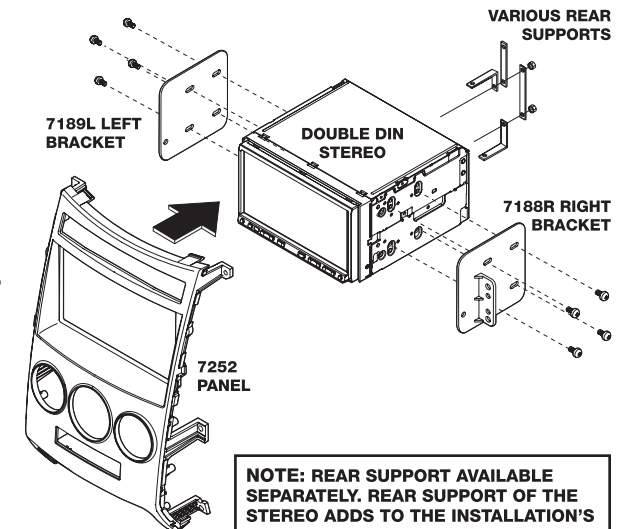
SINGLE DIN MOUNT

1. Attach the 6761 pocket to the lower portion of the 7188 & 7189 brackets
2. Mount the aftermarket stereo to the upper portion on the 7188 & 7189 brackets using the screws supplied with the stereo. **Note:** If hardware is not supplied with aftermarket stereo reuse hardware from factory stereo.
3. Connect stereo and mount into dash using (4) 7mm screws.
4. Connect and install 7252 panel assembly over aftermarket stereo and finish dash assembly.



DOUBLE DIN MOUNT

1. Mount the aftermarket stereo to the upper portion on the 7188 & 7189 brackets using the screws supplied with the stereo. **Note:** If hardware is not supplied with aftermarket stereo reuse hardware from factory stereo.
2. Connect stereo and mount into dash using (4) 7mm screws.
3. Connect and install 7252 panel assembly over aftermarket stereo and finish dash assembly.



NOTE: REAR SUPPORT AVAILABLE SEPARATELY. REAR SUPPORT OF THE STEREO ADDS TO THE INSTALLATION'S STRUCTURAL INTEGRITY.