



Ford Mustang (with 4.2" screen) 2015-2022

Visit MetraOnline.com for more detailed information about the product and up-to-date vehicle specific applications

KIT FEATURES

- ISO DIN radio provision with pocket
- ISO DDIN radio provision
- Touchscreen display for climate and personalization features
- Painted charcoal

Please visit metraonline.com or axcessinterfaces.com for more harness and interface options.

KIT COMPONENTS

- A) Radio trim panel with touchscreen display
- B) Radio brackets
- C) SYNC module brackets
- D) Pocket
- E) Engine start/stop circuit board and cover
- F) Engine start/stop trim
- G) #8 x 3/4" Phillips pan-head screws (4)
- H) #8 x 3/8" Phillips truss-head screws (4)
- I) #4 x 1/2" Phillips pan-head screws (6)
- J) Panel clips (4)
- K) USB cable
- Not shown: HVAC interface and wiring harness, Antenna adapter

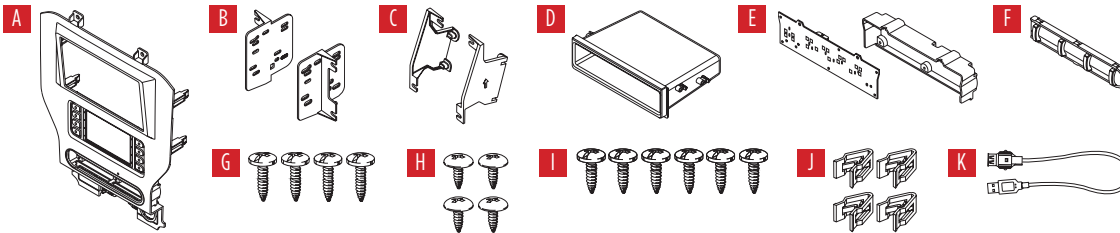


TABLE OF CONTENTS

Dash Disassembly	2-4
Kit Preparation	5-7
Kit Assembly	
–ISO DIN radio provision with pocket	8
–ISO DDIN radio provision.....	8
Axcess Interface installation.....	9-18
Final Assembly.....	13

WIRING & ANTENNA CONNECTIONS

- Wiring Harness: Axcess interface built into touchscreen
- Antenna Adapter: Included with kit

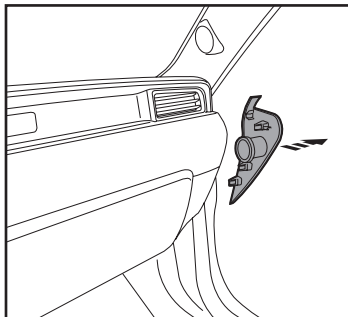
TOOLS REQUIRED

- Panel removal tool
- Phillips screwdriver
- 9/32" socket wrench
- Cutting tool
- Torx T-10 screwdriver
- Pick tool

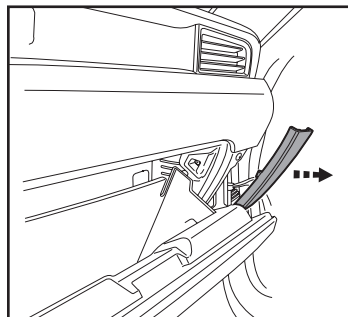
ATTENTION: With the key out of the ignition, disconnect the negative battery terminal before installing this product. Ensure that all installation connections, especially the air bag indicator lights, are plugged in before reconnecting the battery or cycling the ignition to test this product.
NOTE: Refer also to the instructions included with the aftermarket radio.

DASH DISASSEMBLY

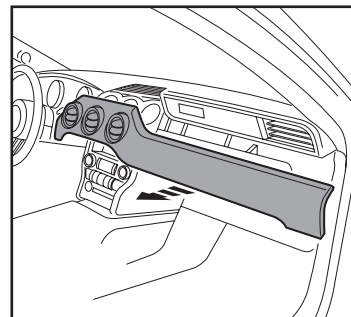
1. Open the passenger side door and, using the panel removal tool, remove the trim panel from the side of the dash. (Figure A)
2. Open the glove box and remove the trim panel on the right side of the box. (Figure B)
3. Using the panel removal tool, carefully unclip and remove the trim dash panel, including the A/C vents. (Figure C)



(Figure A)



(Figure B)

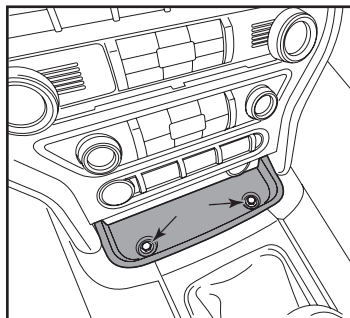


(Figure C)

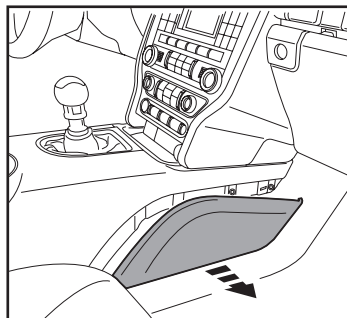
Continued on the next page

DASH DISASSEMBLY (CONT.)

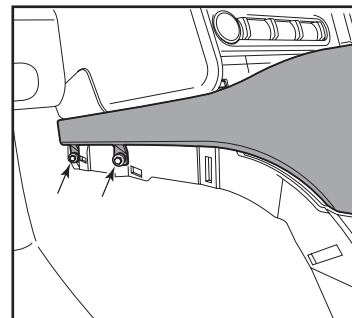
4. Pull out the rubber tray cover in front of the shifter, and then remove (2) 7mm screws exposed. (Figure D)
5. Unsnap and remove the front side panels from each side of the center console. (Figure E)
6. Remove (2) 9/32" screws from each side of the center console. (Figure F)



(Figure D)



(Figure E)

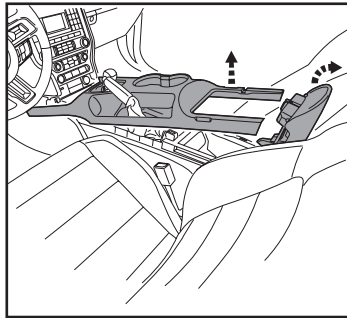


(Figure F)

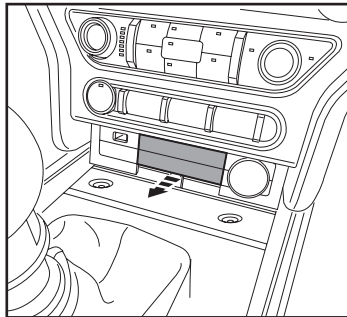
Continued on the next page

DASH DISASSEMBLY (CONT.)

- Unsnap the shifter trim bezel and slightly pull it up to clear the center console trim bezel removal.
- Open the center console storage compartment. Unclip the center console trim bezel, then slide it toward the rear of the vehicle to remove it. (Figure G)
Note: The complete center console does not need to be removed, nor does the Push-to-Start module need to be disconnected.
- Remove the plastic tray in front of the gear shifter.
- Using a pick tool, remove the center plastic trim (knockout) between the power outlet and the USB jack. (Figure H)



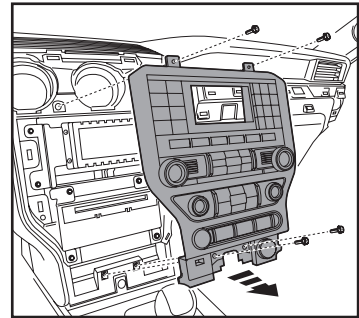
(Figure G)



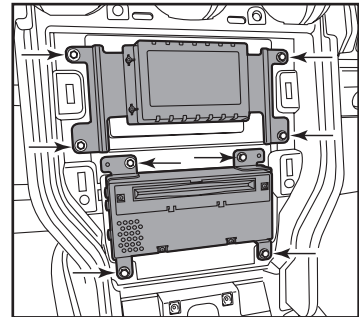
(Figure H)

Ensure that the negative battery terminal is disconnected before proceeding onto the following (4) steps:

- Remove the (4) 9/32" screws securing the radio/climate control panel. Using the panel removal tool, carefully unclip, unplug, and remove the panel. (Figure I)
Note: The panel is thin and easily broken.
- Remove the (4) 9/32" screws securing the display screen, then unplug and remove the screen. (Figure J)
- Remove the (4) 9/32" screws securing the radio chassis, then unplug and remove the radio. (Figure J)
Note: The wires are short, so you may have to reach into the dash to unplug the connectors.
- If the vehicle is equipped with SYNC, remove the (3) 9/32" screws securing the SYNC® module, then unplug and remove the module.



(Figure I)



(Figure J)

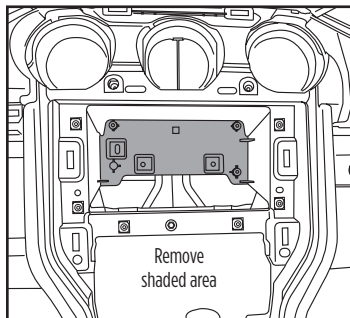
Continue to Kit Preparation

KIT PREPARATION

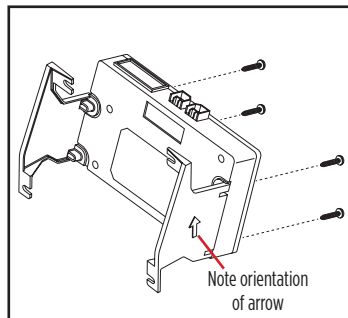
1. Cut and remove the shaded area from the sub-dash to allow clearance for the aftermarket radio. (Figure A)

If retaining SYNC:

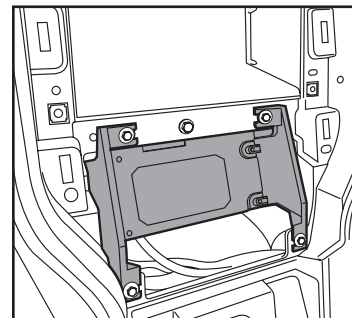
2. Attach the **SYNC module brackets** to the factory SYNC module using the (4) #8 x 3/4" Phillips pan-head screws provided with this kit. (Figure B)
3. Plug in all factory connectors, previously removed, into the SYNC module, and then secure the module into the lower sub-dash using the factory screws. (Figure C)



(Figure A)



(Figure B)



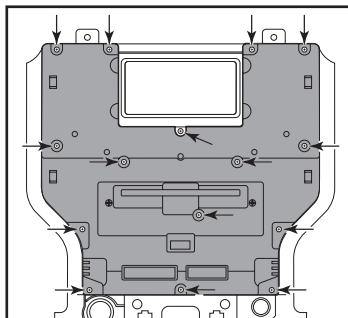
(Figure C)

Continued on the next page

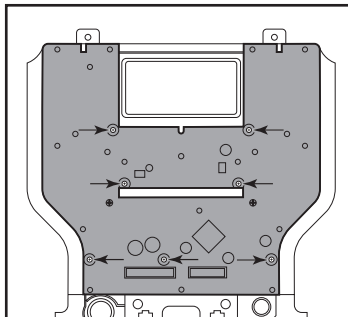
KIT PREPARATION (CONT.)

From the factory radio/climate control panel:

1. Remove (15) T-10 Torx screws securing the plastic panel cover to the rear of the climate control panel, and then remove. (Figure A)
2. Remove (7) T-10 Torx screws securing the circuit board to the climate control panel, and then remove. (Figure B)



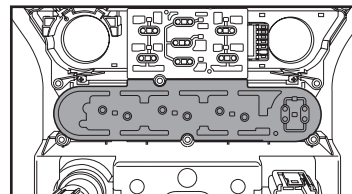
(Figure A)



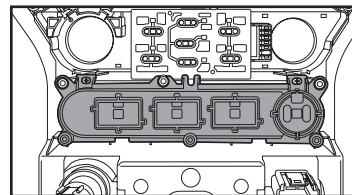
(Figure B)

3. Remove the rubber button membrane from the back of the engine start/stop switch panel. (Figure C)
4. Remove the engine start/stop switch panel. (Figure D)
5. Press in on the (2) retaining tabs inside the power outlet to remove the inner portion, and then unsnap the outer ring and cover. (Figure E)

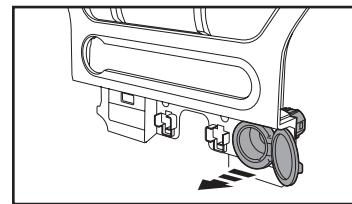
Continued on the next page



(Figure C)



(Figure D)

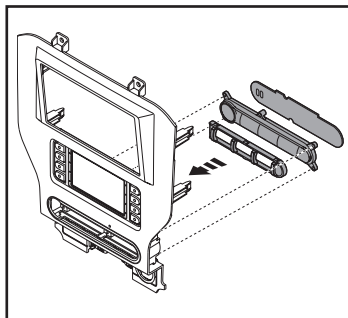


(Figure E)

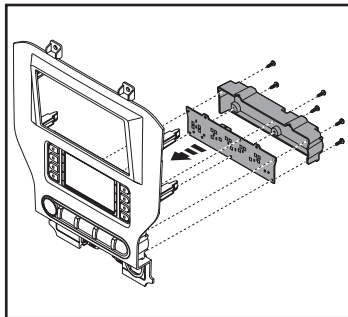
KIT PREPARATION (CONT.)

To the 99-5838CH radio trim panel:

1. Attach the *engine start/stop trim*, the *engine start/stop switch panel*, and then the rubber button membrane. (Figure A)
2. Secure the engine start/stop circuit board and cover to the switch/cover assembly using the (6) #4 x 1/2" Phillips pan-head screws provided with this kit. (Figure B)



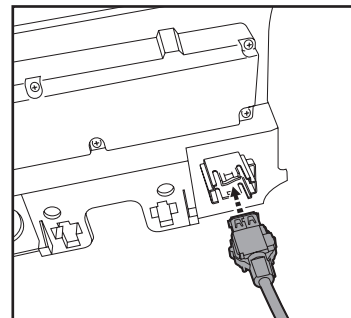
(Figure A)



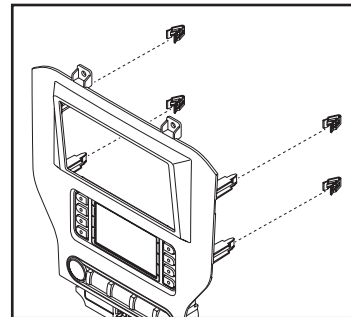
(Figure B)

3. Insert the USB cable into the USB slot, through the rear. (Figure C)
4. Attach the (4) *panel clips* provided with this kit to the back of the radio trim panel. (Figure D)

Continue to Kit Assembly



(Figure C)



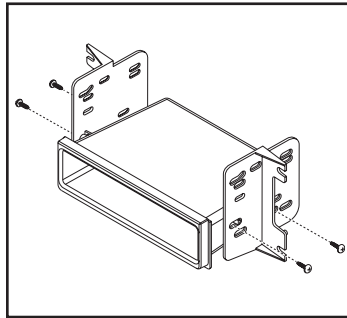
(Figure D)

KIT ASSEMBLY

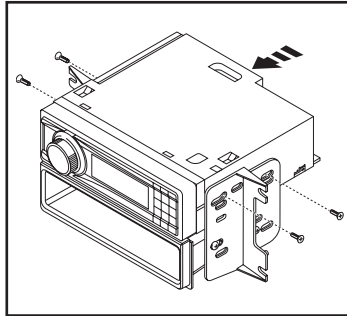
ISO DIN radio provision with pocket

1. Secure the radio brackets to the pocket using the (4) #8 x 3/8" Phillips truss-head screws provided with this kit. (Figure A)
2. Remove the metal DIN sleeve and trim ring from the aftermarket radio.
3. Slide the radio into the bracket/pocket assembly, and then secure it using the screws supplied with the radio. (Figure B)

Continue to Axxess Interface Installation



(Figure A)

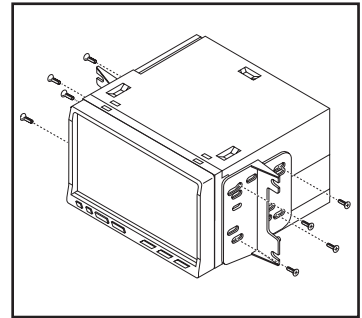


(Figure B)

ISO DDIN radio provision

1. Secure the *radio brackets* to the radio using the screws supplied with the radio. (Figure A)

Continue to Axxess Interface Installation



(Figure A)

AXXESS INTERFACE INSTALLATION

INTERFACE FEATURES

- Provides accessory power (12-volt 10-amp)
- Retains R.A.P. (retained accessory power)
- Provides NAV outputs (parking brake, reverse, speed sense)
- Retains audio controls on the steering wheel
- Retains SYNC
- Retains the factory backup camera
- Retains balance and fade
- Micro-B USB updatable

INTERFACE COMPONENTS

- Axxess interface (built into the touchscreen display)
- 5838 harness
- HVAC interface
- HVAC interface harness
- 16-pin harness with stripped leads
- 12-pin backup camera harness
- 4-pin harness with yellow RCA jacks
- Female 3.5 mm connector with stripped leads

TABLE OF CONTENTS

Connections.....	10-11
Installation	12
Programming.....	13
Extra features (SYNC).....	13
Touchscreen display operation.....	14-15
Steering wheel control settings	16-17
Troubleshooting.....	18

TOOLS REQUIRED

- Crimping tool and connectors, or solder gun, solder, and heat shrink
- Tape • Wire cutter • Zip-ties

CONNECTIONS

From the 16-pin harness with stripped leads to the aftermarket radio connect as indicated:

- **Red** wire to the accessory wire.
- **Orange/White** wire to the illumination wire. (if applicable)
- **Brown** wire to the mute wire, if the vehicle is equipped with SYNC. If the mute wire is not connected, the radio will turn off when SYNC is activated.
- **Gray** wire to the right front (+) speaker output.
- **Gray/Black** wire to the right front (-) speaker output.
- **White** wire to the left front (+) speaker output.
- **White/Black** wire to the left front (-) speaker output.

The following (3) wires are only for multimedia/navigation radios that require these wires.

- **Blue/Pink** wire to the VSS/speed sense wire.
- **Green/Purple** wire to the reverse wire.
- **Light Green** wire to the parking brake wire

Tap off and disregard the following (5) wires, they will not be used in this application:

Blue/White, Green, Green/Black, Purple, Purple/Black

From the 5838 harness to the aftermarket radio connect as indicated:

- **Black** wire to the ground wire.
- **Yellow** wire to the battery wire.
- **Blue** wire to the power antenna wire.
- **Green** wire to the left rear (+) speaker output.
- **Green/Black** wire to the left rear (-) speaker output.
- **Purple** wire to the right rear (+) speaker output.
- **Purple/Black** wire to the right rear (-) speaker output.
- **Red** and **White** RCA jacks labeled "RSE/SYNC/SAT" to the audio AUX-IN jacks of the aftermarket radio, if the vehicle is equipped with SYNC.

*Disregard the **Red** and **White** RCA jacks labeled "FROM 3.5", they will not be used in this application.*

Continued on the next page

3.5mm jack - steering wheel control retention:

The 3.5mm jack is to be used to retain audio controls on the steering wheel control.

- **For the radios listed below:** Connect the included **female 3.5mm connector with stripped leads**, to the male 3.5mm SWC jack from the **5838 harness**. Any remaining wires tape off and disregard:
 - **Eclipse:** Connect the steering wheel control wire, normally **Brown**, to the **Brown/White** wire of the connector. Then connect the remaining steering wheel control wire, normally **Brown/White**, to the **Brown** wire of the connector.
 - **Metra OE:** Connect the steering wheel control Key 1 wire (**Gray**) to the **Brown** wire.
 - **Kenwood or select JVC with a steering wheel control wire:** Connect the **Blue/Yellow** wire to the **Brown** wire.

Note: If your **Kenwood** radio auto detects as a **JVC**, manually set the radio type to **Kenwood**. See the instructions under changing radio type.
 - **XITE:** Connect the steering wheel control SWC-2 wire from the radio to the **Brown** wire.
 - **Parrot Asteroid Smart or Tablet:** Connect the 3.5mm jack into the AX-SWC-PARROT (sold separately), and then connect the 4-pin connector from the AX-SWC-PARROT into the radio.

Note: The radio must be updated to rev. 2.1.4 or higher software.
 - **Universal “2 or 3 wire” radio:** Connect the steering wheel control wire, referred to as Key-A or SWC-1, to the **Brown** wire of the connector. Then connect the remaining steering wheel control wire, referred to as Key-B or SWC-2, to the **Brown/White** wire of the connector. If the radio comes with a third wire for ground, disregard this wire.

Note: After the interface has been programmed to the vehicle, refer to the manual provided with the radio for assigning the SWC buttons. Contact the radio manufacturer for more information.
- **For all other radios:** Connect the 3.5mm jack into the port on the radio designated for an external steering wheel control interface. Refer to the manual provided with the radio, if in doubt as to where to connect the 3.5mm jack.

12-pin backup camera harness:

There are two different methods for connecting the factory backup camera.

If connecting the camera to the aftermarket radio:

- Connect the **Yellow** RCA jack to the backup camera input of the aftermarket radio.

If connecting the camera to the touchscreen display:

- Connect the **Yellow** RCA jack, to the Yellow RCA jack from the 4-pin harness with yellow RCA jacks labeled “Rearview camera”.

Note: If this method is chosen, the backup camera option must be enabled in the **Configuration Settings**.

Disregard the Yellow RCA jack labeled “AUX video”, it will not be used in this application.

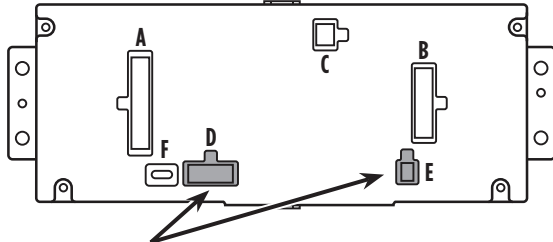
INSTALLATION

It is highly advisable to read the following steps beforehand, to ensure a clear understanding of what is to be expected. The following steps must be done in the order that they are numbered.

With the vehicle completely off:

Touchscreen display

1. Connect the **16-pin harness with stripped leads** into port “B” in the touchscreen display.
2. Insert the 5838 harness into port “A” in the touchscreen display.
Note: Do not connect the 5838 harness to the wiring harness of the vehicle until step 1 of the Programming section.
3. Connect the 4-pin harness with yellow RCA jacks into port “C” in the touchscreen display.
4. Disregard ports “D” and “E”, they will not be used in this application.
5. Port “F” is an update port for future firmware upgrades.



Note: DO NOT CONNECT!

HVAC interface

6. Connect the **HVAC interface harness** into the **HVAC interface**, and then to the wiring harnesses in the vehicle. These harnesses are the ones removed in step 11 of dash disassembly.
 - a. Then connect the 10-pin harness into the engine start/stop circuit board assembly.

Attention! There are (2) 10-pin connectors, one in the engine start/stop circuit board assembly, and one in the touchscreen display. Use only the appropriate connector and disregard the other one. If the incorrect port is accidentally used, the vehicle will need to be reset by disconnecting the battery for several minutes.

Note: Disregard the 4-pin flat to 4-pin stacked harness, it will not be used in this application.

7. Connect the 6-pin harness from the **5838 harness** to the **HVAC interface**.
8. Connect the **12-pin backup camera harness**, to the wiring harness in the vehicle. This harness is the one removed in step 12 of dash disassembly.
9. Locate the factory antenna connector in the dash and complete all necessary connections to the radio. Use the antenna adapter provided to adapt the factory antenna connector to the aftermarket radio.

Continued on the next page

PROGRAMMING

1. Reconnect the negative battery terminal and connect the **5838 harness** to the wiring harnesses in the vehicle.
Note: This is a timed process.
2. Press the push-to-start button to start the vehicle.
Note: If the Push-to-Start module in the center console has been disconnected, reconnect it before reconnecting the battery.
3. Program the kit:
 - a. Once the touchscreen display loads up, select the vehicle type.
 - b. Wait until the radio comes on, and the touchscreen display shows **SWC Configured**. This process may take up to (3) minutes.
Note: If the touchscreen display does not load up, or the radio doesn't come on within (3) minutes, and/or the touchscreen display does not show **SWC Configured**, check all connections, then reset the interface and try again. Refer to the **Troubleshooting section**.
4. Cycle the key off. If the driver's door is closed, open and close the door. Cycle the key back on.
5. Test all functions of the installation for proper operation, before reassembling the dash.

FINAL ASSEMBLY

1. Connect the **USB cable** attached to the **radio trim panel with touchscreen display**, to the USB port in the back of the radio, if applicable.
2. Secure the completed assembly into the upper dash using the factory hardware removed in step 12 of dash disassembly.
3. Snap the **radio trim panel with touchscreen display** over the completed assembly, and then reassemble the dash in reverse order of disassembly.

EXTRA FEATURES

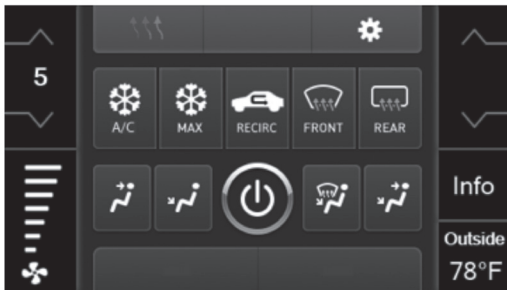
SYNC:

If the vehicle is equipped with SYNC, the 99-5838CH can retain this feature.

1. Change the source of the radio to AUX-IN.
2. Press the **Info** button on the touchscreen display to enter the SYNC menu.
3. Press the climate control icon to get back to the main menu.

TOUCHSCREEN DISPLAY OPERATION

Climate Control screen



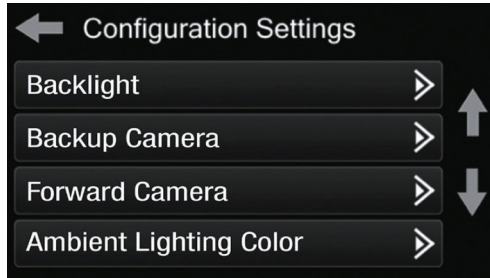
- This is the climate control screen which will be displayed on the touchscreen display. This is considered the **Main Menu**.
- Disregard the upper left tab with (3) arrows, it will not be used in this application.
- The upper right tab with the gear icon will take you to the **Configuration Settings** screen.
- The climate controls will function in the same manner that they did with the factory climate controls, yet via touchscreen buttons instead. The temperature control will display a numerical scale, with “LO” being the coldest, and “HI” being the hottest: LO / 1-9 / HI

Note: The “Info” button will only be shown if SYNC is to be retained.

Continued on the next page

TOUCHSCREEN DISPLAY OPERATION (CONT.)

Configuration Settings



Backlight

- For controlling the color of the buttons and back-light intensity.

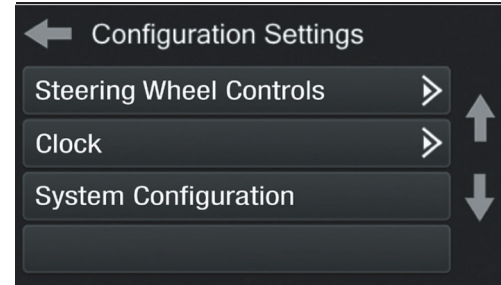
Backup Camera

- Enable/disables the backup camera image to the touchscreen display. Disabled by default.

Forward Camera (disregard for this application)

Ambient Lighting Color

- For adjusting the ambient light color in the vehicle



Steering Wheel Controls

- Remap Buttons – For remapping the steering wheel control buttons
- Dual Assign – For dual assigning the steering wheel control buttons (long button press)
- Select Radio – For auto detecting the radio, or changing the radio type

Clock

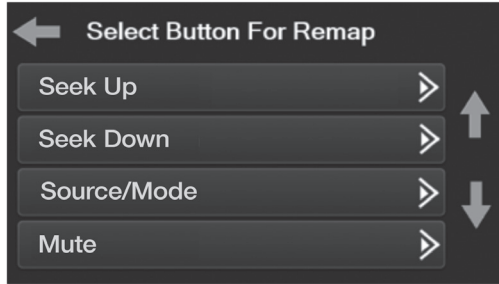
- For setting the clock and hour mode

System Configuration

- About - Information regarding the software in the kit
- Temperature Unit - To change between Celsius and Fahrenheit
- Digital Amp Gain - For adjusting the output gain to the amplifier
- Reset Vehicle Type - To reset the kit to default settings

STEERING WHEEL CONTROL SETTINGS

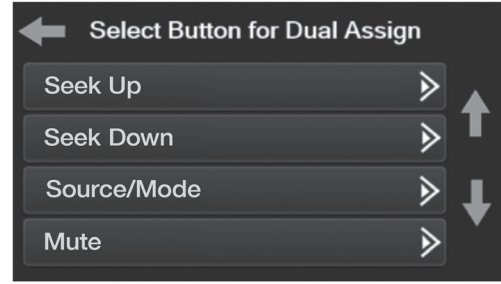
Remap Buttons



- The interface has the ability to change the button assignment for the steering wheel control audio buttons, except Volume-Up and Volume-Down. Follow the prompts on the touchscreen display to remap the steering wheel control audio button(s) to your liking.

Note: The aftermarket radio may not have all of these commands. Please refer to the manual provided with the radio, or contact the radio manufacturer, for specific commands recognized by that particular radio.

Dual Assign



- The interface has the capability to assign two functions to a single button, except Volume-Up and Volume-Down. Follow the prompts on the touchscreen display to program the button(s) to your liking.

Note: Seek-Up and Seek-Down come programmed as Preset-Up and Preset-Down for a long button press.

Continued on the next page

STEERING WHEEL CONTROL SETTINGS (CONT.)

Select Radio

- To show which brand radio is “auto detected” to the interface, press the “Autodetect” button. The radio detected will have a filled in circle. If the incorrect radio is shown, select the proper radio.
- Following is a list of radio manufacturers that the interface presently acknowledges. Others may be added at a later date. Universal “2 or 3 wire” radios can show up as any of these radio manufacturers.



Radios Detected by Interface
Eclipse (type 1) †
Kenwood ‡
Clarion (type 1) †
Sony / Dual
JVC
Pioneer / Jensen
Alpine *
Visteon
Valor
Clarion (type 2) †
Metra OE
Eclipse (type 2) †
LG
Parrot **
XITE
Philips
TBA
JBL
Insane
Magnadyne
Boss
Axxera
Axxerra (type 2)

*If the **SWC interface** flashes **Red (7)** times, and an **Alpine** radio is not installed, that means there is an open connection not accounted for. Verify that the 3.5mm jack is connected to the correct steering wheel jack/wire in the radio.

** The **AXSWCH-PAR** is required (sold separately). Also, the software in the radio must be rev. 2.1.4 or higher.

† If a **Clarion** or **Eclipse** radio is installed and the steering wheel controls do not function, change the radio to **Clarion (type 2)** or **Eclipse (type 2)** respectively. If the steering wheel controls still do function, refer to the **Changing Radio Type** document available at axxessinterfaces.com.

‡ If a **Kenwood** radio is installed and the L.E.D. feedback flashes (5) times instead of (2), manually change the radio type to **Kenwood**. To do this, refer to the **Changing Radio Type** document available at axxessinterfaces.com.

TROUBLESHOOTING

Resetting the interface

Option # 1

1. With everything connected and the car running.
2. Hold the bottom two (2) buttons for (3) seconds, then release. (Figure A)
Note: The screen will turn black and then the vehicle selection screen will appear.
3. Select your vehicle and wait till the “SWC Configured” appears on the screen.
4. Turn ignition off and start vehicle, then test your interface.

Option #2

1. With the vehicle running, press the **Reset Vehicle Type** button mentioned in **System Configuration**.
2. Refer to **Programming**, step 3, from this point.



(Figure A)



99-5838CH
INSTALLATION INSTRUCTIONS



Having difficulties? We're here to help.



Contact our Tech Support line at:

386-257-1187



Or via email at:

techsupport@metra-autosound.com

Tech Support Hours (Eastern Standard Time)

Monday - Friday: 9:00 AM - 7:00 PM

Saturday: 10:00 AM - 7:00 PM

Sunday: 10:00 AM - 4:00 PM



KNOWLEDGE IS POWER

Enhance your installation and fabrication skills by enrolling in the most recognized and respected mobile electronics school in our industry. Log onto www.installerinstitute.com or call 800-354-6782 for more information and take steps toward a better tomorrow.



**Metra recommends MECP
certified technicians**



Ford Mustang (con pantalla de 4.2") 2015-2022

Visite MetraOnline.com para obtener información más detallada sobre el producto y aplicaciones actualizadas específicas para vehículos.

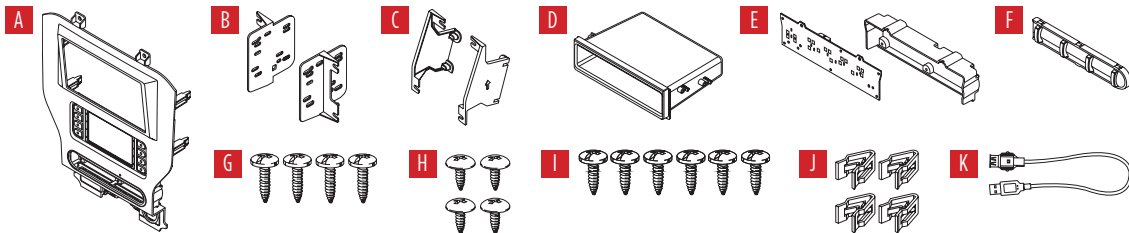
CARACTERÍSTICAS DEL KIT

- Provisión de radio ISO DIN con cavidad
- Provisión de radio ISO DDIN
- Pantalla táctil para el clima y características de personalización
- Pintura gris oscuro

Visite metraonline.com o axxessinterfaces.com para obtener más opciones de arnés e interfaz.

COMPONENTES DEL KIT

- A) Panel de la moldura del radio con pantalla táctil • B) Soportes del radio • C) Soportes del módulo SYNC • D) Cavidad • E) Tablero de circuitos para encender/apagar el motor y cubierta • F) Moldura para encender/apagar el motor • G) Tornillos Phillips #8 de 3/4" de cabeza troncocónica (4)
- H) Tornillos Phillips #8 de 3/8" de cabeza segmentada (4) • I) Tornillos Phillips #4 de 1/2" de cabeza troncocónica (6) • J) Ganchos para panel (4)
- K) Cable USB • No se Muestra: Interfaz HVAC y mazo de cables, adaptador de antena



INDICE

Desmontaje del tablero	2-4
Preparación del kit.....	5-7
Ensamble del kit	
– Provisión de radio ISO DIN con cavidad.....	8
– Provisión de radio ISO DDIN.....	8
Instalación de la interfase Axcess.....	9-18
Montaje final	13

CABLEADO Y CONEXIONES DE ANTENA

Arnés de cables: Interfaz Axcess incorporada en pantalla táctil
Adaptador de antena: Incluido con kit

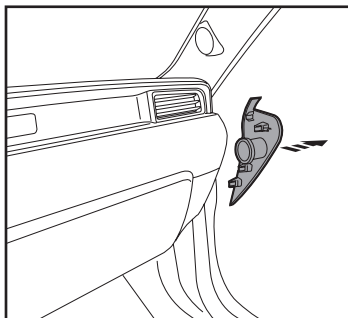
HERRAMIENTAS REQUERIDAS

- Herramienta para quitar paneles • Llave del tubo 9/32"
- Destornillador Phillips • Herramienta de selección
- Destornillador Torx T-10 • Herramienta para cortar

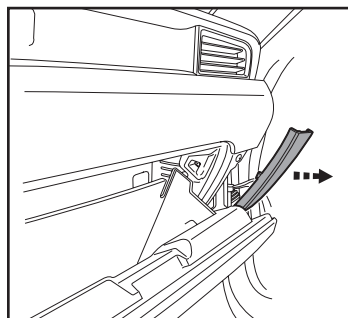
ATENCIÓN: Con la llave fuera del encendido, desconecte el terminal negativo de la batería antes de instalar este producto. Asegúrese de que todas las conexiones de la instalación, especialmente las luces indicadoras de las bolsas de aire, estén enchufadas antes de volver a conectar la batería o encender y apagar para probar este producto.
NOTA: Consulte también las instrucciones incluidas con el radio de mercado secundario.

DESMONTAJE DEL TABLERO

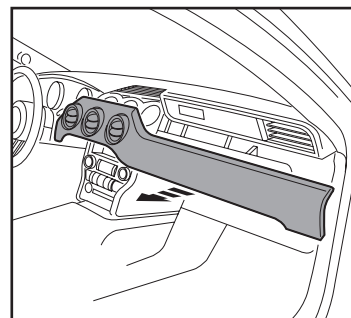
1. Abra la puerta del lado del pasajero y retire el panel de moldura del costado del tablero. (Figura A)
2. Abra la guantera y retire el panel de moldura del lado derecho. (Figura B)
3. Con la herramienta de extracción de paneles, desenganche y retire el panel de instrumentos embellecedor, incluidas las rejillas de ventilación del aire acondicionado. (Figura C)



(Figura A)



(Figura B)

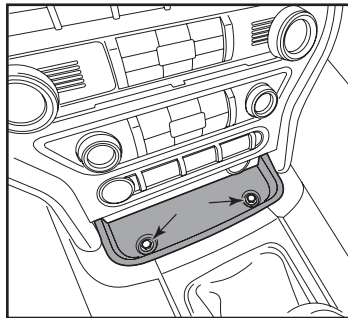


(Figura C)

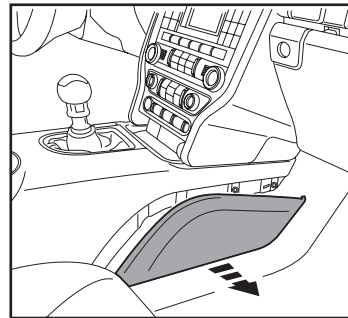
Continúa en la siguiente página

DESMONTAJE DEL TABLERO (CONT.)

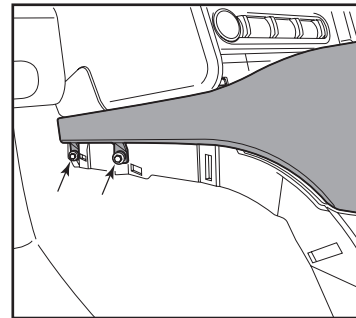
4. Saque la cubierta de la bandeja de goma en el frente de la palanca de cambios y luego retire los (2) tornillos de 9/32" expuestos. (Figura D)
5. Desabroche y retire los paneles laterales delanteros de cada lado de la consola central. (Figura E)
6. Quite los (2) tornillos de 9/32" de cada lateral de la consola central. (Figura F)



(Figura D)



(Figura E)

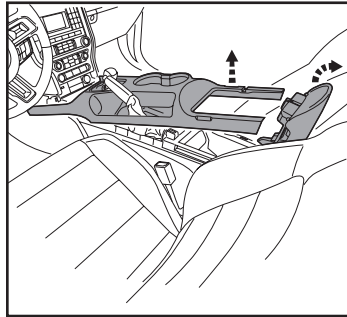


(Figura F)

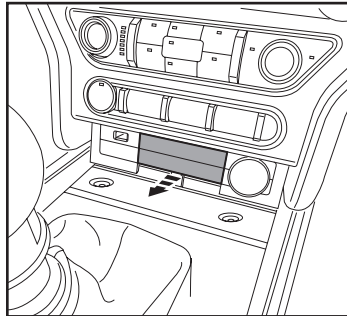
Continúa en la siguiente página

DESMONTAJE DEL TABLERO (CONT.)

- Desabroche el bisel de la moldura de la palanca de cambios y tire hacia arriba para despejar la moldura de la consola central extracción del bisel.
- Abra el almacenamiento de la consola central compartimiento. Desenganche la consola central bisel de la moldura, luego deslícelo hacia la parte trasera del vehículo para retirarlo. (Figura G)
Nota: La consola central completa no es necesario quitarlo ni desconectar el módulo Push-to-Start.
- Retire la bandeja de plástico frente a la palanca de cambios.
- Con una herramienta de selección, retire la moldura de plástico central (perforación) entre el tomacorriente y el conector USB. (Figura H)



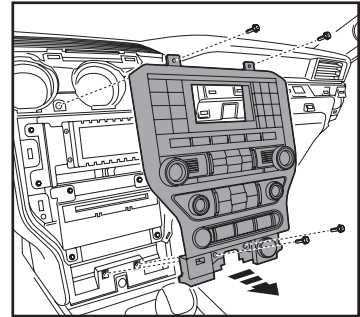
(Figura G)



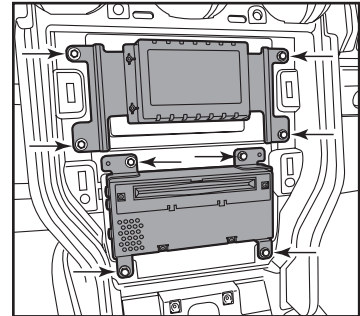
(Figura H)

Asegúrese de que el terminal negativo de la batería esté desconectado antes de continuar con los siguientes (4) pasos:

- Retire los (4) tornillos de 9/32" que sujetan el panel de control de radio/clima. Usando la herramienta de extracción del panel, desenganche, desenchufe y retire con cuidado el panel. (Figura I)
Nota: El panel es delgado y se rompe fácilmente.
- Retire los (4) tornillos de 9/32" que sujetan la pantalla, luego desconecte y retire la pantalla. (Figura J)
- Retire los (4) tornillos de 9/32" que sujetan el chasis de la radio, luego desconecte y retire la radio. (Figura J)
Nota: los cables son cortos, por lo que es posible que deba alcanzar el tablero para desenchufar los conectores.
- Si el vehículo está equipado con SYNC, Retire los (3) tornillos de 9/32" que sujetan el módulo SYNC®, luego desenchúfelo y retírelo.



(Figura I)



(Figura J)

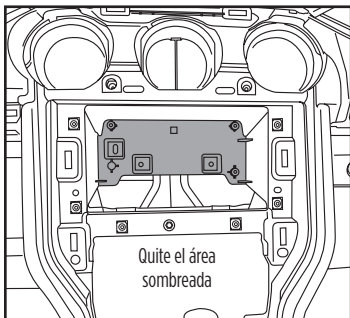
Continuar la Preparación del Kit

PREPARACIÓN DEL KIT

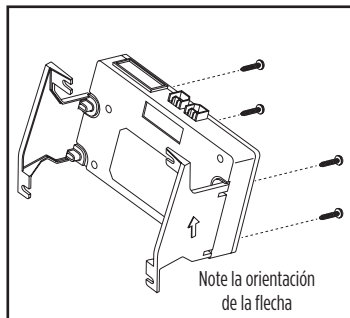
1. Corte y quite el área sombreada del sub tablero para hacer espacio para el radio de mercado secundario. (Figura A)

Si se desea retener SYNC:

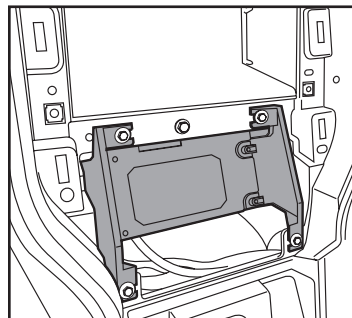
2. Sujete los soportes del módulo SYNC al módulo SYNC de fábrica usando los (4) tornillos Phillips #8 de 3/8" de cabeza troncocónica suministrados. (Figura B)
3. Vuelva a conectar todos los conectores de fábrica de vuelta al módulo SYNC y luego sujete el módulo en el sub tablero inferior, usando la herramienta de fábrica que quitó en el paso 13. (Figura C)



(Figura A)



(Figura B)



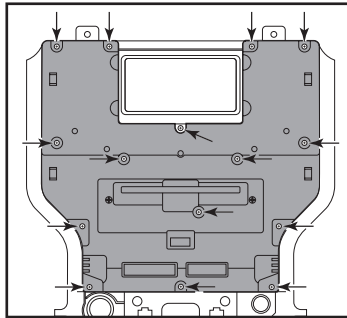
(Figura C)

Continúa en la siguiente página

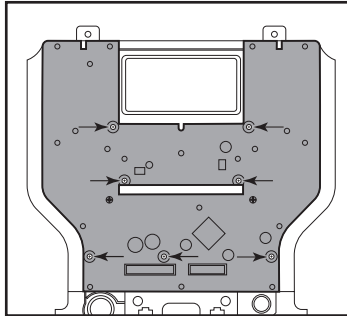
PREPARACIÓN DEL KIT (CONT.)

Del panel del radio/control del clima de fábrica:

1. Quite los (15) tornillos Torx T-10 sujetando la cubierta del panel de plástico a la parte trasera del panel y luego quite. (Figura A)
2. Quite los (7) tornillos Torx T-10 que sujetan el tablero de circuitos y luego quítelo. (Figura B)
3. Quite la membrana del botón de caucho de la parte trasera del panel del interruptor de encendido/apagado del motor. (Figura C)



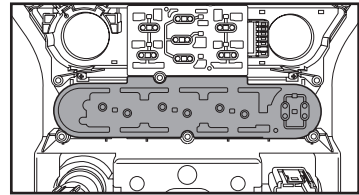
(Figura A)



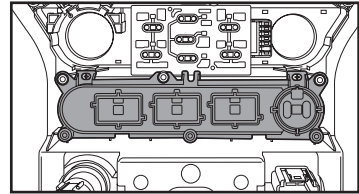
(Figura B)

4. Quite el panel del interruptor de encendido/apagado del motor. (Figura D)
5. Oprima hacia adentro en las (2) pestañas de retención dentro de la salida de alimentación y quite la porción interna, y luego suelte a presión el anillo exterior y cubierta. (Figura E)

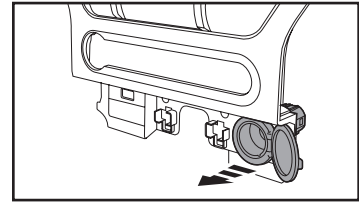
Continúa en la siguiente pagina



(Figura C)



(Figura D)

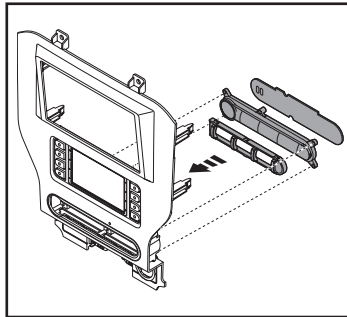


(Figura E)

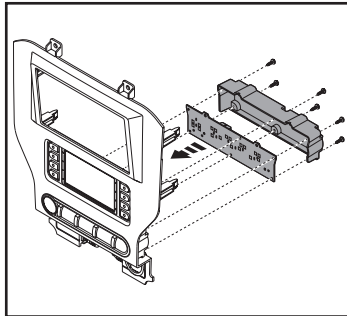
PREPARACIÓN DEL KIT (CONT.)

Al panel de la moldura del radio 99-5838CH:

1. Una la moldura de encendido/apagado del motor, panel del interruptor de encendido/apagado del motor y luego la membrana del motor de caucho. (Figura A)
2. Sujete el tablero de circuitos de encendido/apagado del motor y cubierta al ensamblaje del interruptor/cubierta usando los (6) tornillos Phillips #4 de 1/2" de cabeza troncocónica suministrados. (Figura B)



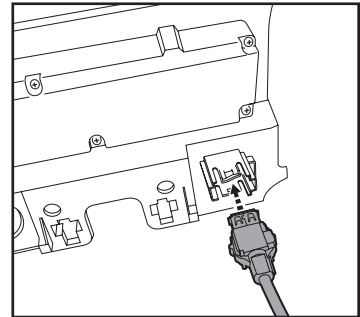
(Figura A)



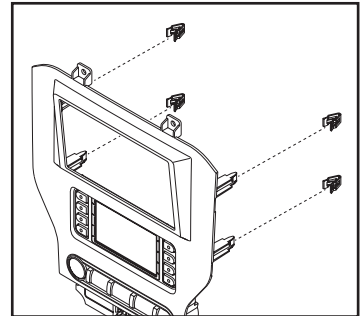
(Figura B)

3. Inserte el cable USB en la ranura USB, por la parte trasera. (Figura C)
4. Conecte los (4) ganchos para panel suministrados. (Figura D)

Continúe con el Ensamble del Kit



(Figura C)



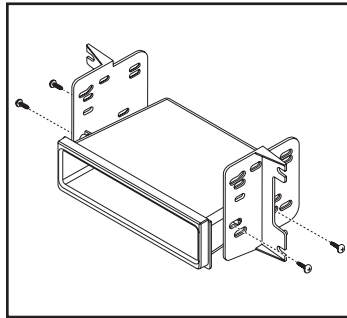
(Figura D)

ENSAMBLE DEL KIT

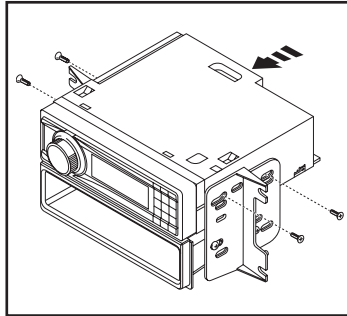
Provisión de radio ISO DIN con cavidad

1. Fije los **soportes de radio** al **bolsillo** utilizando los (4) tornillos Phillips # 8 x 3/8" provistos. (Figura A)
2. Quite la manga de metal DIN y el anillo de moldura del radio de mercado secundario.
3. Deslice el radio hacia adentro del ensamble del soporte/cavidad y después sujételo usando los tornillos suministrados con el radio. (Figura B)

Continúe con la instalación de la Interfaz Axxess



(Figura A)

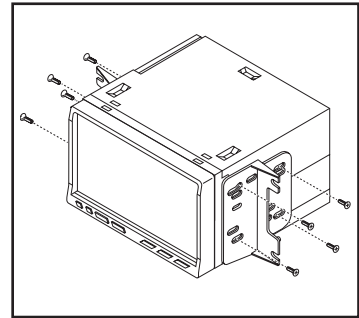


(Figura B)

Provisión de radio ISO DDIN

1. Fije los **soportes del radio** usando los tornillos que vienen con el radio. (Figura A)

Continúe con la instalación de la Interfaz Axxess



(Figura A)

INSTALACIÓN DE LA INTERFASE AXCESS

INSTALACIÓN DE LA INTERFAZ AXCESS

- Provee corriente de accesorio (12 voltios 10 amperes)
- Retiene R.A.P. (corriente de accesorio retenida)
- Proporciona salidas de NAV (freno de mano, reversa, sensor de velocidad)
- Retiene los controles de audio en el volante
- Retiene SYNC
- Retiene la cámara de reversa de fábrica
- Retiene el balance y la intensidad
- Actualizable por micro-B USB

COMPONENTES DE LA INTERFAZ

- Interfaz Axxess (integrada a la pantalla táctil)
- Arnés 5838
- Interfaz HVAC
- Arnés de la interfaz HVAC
- Arnés de 16 pins con conectores pelados
- Arnés de cámara de reversa de 12 pins
- Arnés de 4 pins con conectores RCA amarillos
- Conector hembra de 3.5 mm con conectores pelados

INDICE

Conexiones	10-11
Instalación	12
Programación.....	13
Características adicionales (SYNC).....	13
Operación de la pantalla táctil.....	14-15
Configuración del control en el volante.....	16-17
Resolución de problemas.....	18

HERRAMIENTAS REQUERIDAS

- Herramienta de ponchadora y conectores, o pistola de soldadura, soldadura y termocontracción
- Cinta • Cortacables • Zip lazos

Del arnés de 16 pins con conectores pelados al radio de mercado secundario:

- Conecte el cable **rojo** al cable de accesorios.
- Si el radio de mercado secundario tiene un cable de iluminación, conecte a él el cable **anaranjado/blanco**.
- Si el radio de mercado secundario tiene cable de silencio y está equipado con SYNC, conecte el cable **marrón** a ella. Si el cable de silencio no está conectado, el radio se apagará cuando se activa SYNC.
- Conecte el cable **gris** con la salida positiva de la bocina derecha delantera.
- Conecte el cable **gris/negro** con la salida negativa de la bocina derecha delantera.
- Conecte el cable **blanco** con la salida positiva de la bocina izquierda delantera.
- Conecte el cable **blanco/negro** con la salida negativa de la bocina izquierda delantera.

Los siguientes (3) cables son únicamente para radios con multimedia/navegación que requieren estos cables.

- Conecte el cable **azul/rosado** al cable VSS/de detección de velocidad.
- Conecte el cable **verde/púrpura** al cable de reversa.
- Conecte el cable **verde** claro al cable de freno de mano.
- Coloque cinta e ignore los siguientes (5) cables; no se utilizarán en esta aplicación.

azul/blanco, verde, verde/negro, púrpura, púrpura/negro

Desde el arnés 5838 al radio de mercado secundario:

- Conecte el cable **negro** al cable de tierra.
- Conecte el cable **amarillo** al cable de la batería.
- Conecte el cable **azul** al cable de la antena de encendido.
- Conecte el cable **verde** con la salida positiva de la bocina izquierda trasera.
- Conecte el cable **verde/negro** con la salida negativa de la bocina izquierda trasera.
- Conecte el cable **púrpura** con la salida positiva de la bocina derecha trasera.
- Conecte el cable **púrpura/negro** con la salida negativa de la bocina derecha trasera.
- Si el vehículo está equipado con SYNC, conecte los conectores RCA **rojo y blanco** rotulados "RSE/SYNC/SAT" a los conectores de audio AUX-IN del radio de mercado secundario.
- Ignore los conectores RCA **rojo y blanco** rotulados "FROM 3.5"; no se utilizarán en esta aplicación.

Continúa en la siguiente página

La retención del control en volante con conector de 3.5 mm

El conector de 3.5 mm se debe usar para retener los controles de audio en el control del volante.

- Para los siguientes radios, conecte el *conector hembra de 3.5 mm con conectores pelados* en el conector macho SWC de 3.5 mm del *arnés 5838*. Cualquier cable restante debe cubrirse con cinta e ignorarse.
 - **Eclipse:** Conecte el cable del control en el volante, normalmente **marrón**, al cable del conector **marrón/blanco**. Después conecte el cable del control en el volante, normalmente **marrón/blanco**, al cable del conector marrón.
 - **Equipo original Metra:** Conecte el cable Key 1 (**gris**) del control en el volante al cable **marrón**.
 - **Kenwood** o seleccione JVC con un cable de control en el volante: Conecte el cable **azul/amarillo** al cable **marrón**.

Nota: Si su radio **Kenwood** se detecta automáticamente como un **JVC**, ajuste manualmente el tipo de radio como **Kenwood**. Vea las instrucciones a continuación para cambiar el tipo de radio.

- **XITE:** Conecte el cable SWC-2 del control en el volante del radio al cable marrón.
- **Parrot Asteroid Smart o Tablet:** Conecte el conector de 3.5 mm al AX-SWC-PARROT (se vende por separado) y después conecte el conector de 4 pins del AX-SWC-PARROT al radio.

Nota: El radio debe estar actualizado a la versión de software 2.1.4 o posterior.

- **Radio universal de “2 o 3 cables”:** Conecte el cable del control en el volante, conocido como Key-A o SWC-1, al cable del conector **marrón**. Después conecte el cable restante del control en el volante, conocido como Key-B o SWC-2, al cable **marrón/blanco** del conector. Si el radio llega con un tercer cable para hacer tierra, ignore este cable.

Nota: Después de haber programado la interfaz al vehículo, haga referencia al manual provisto con el radio para asignar los botones SWC. Contacte al fabricante del radio para mayor información.

- **Para todos los demás radios:** Conecte el conector de 3.5 mm en el puerto de la radio designado para una interfaz de control externa del volante. Consulte el manual proporcionado con la radio, si tiene dudas sobre dónde conectar el conector de 3.5 mm.

Arnés de cámara de reversa de 12 pins:

Existen dos métodos distintos para conectar la cámara de reversa de fábrica.

Si se desea retener la cámara al radio de mercado secundario:

- Conecte el conector RCA **amarillo** a la entrada de la cámara de reversa del radio de mercado secundario.

Si se desea retener la cámara a la pantalla táctil:

- Conecte el conector RCA **amarillo** al conector RCA **amarillo** del *arnés de 4 pins con conectores RCA amarillos rotulados “Rearview camera”*.

Nota: Si se elige este método, la opción de cámara de reversa debe estar habilitada en la *Pantalla de configuración*.

Arnés de 4 pins con conectores RCA amarillos:

- Si se desea retener la cámara de reversa de fábrica a la pantalla táctil, conecte el conector RCA **amarillo** rotulado “Rearview camera” al conector RCA **amarillo** del *arnés de cámara de reversa de 12 pins*.
- Ignore el conector RCA **amarillo** rotulado “AUX video”; no se utilizará en esta aplicación.

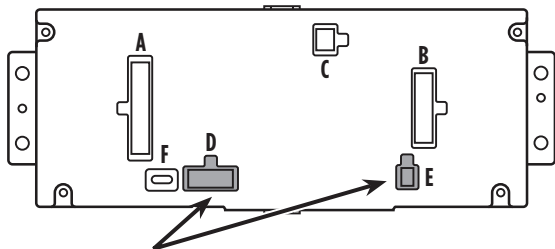
INSTALACIÓN

Se recomienda de gran manera que lea antes los siguientes pasos para asegurar que entienda bien lo que se espera. Los siguientes pasos deben seguirse en el orden en que están numerados.

Con el vehículo completamente apagado:

Pantalla táctil

1. Conecte el arnés de 16 pines con los cables pelados en el puerto "B" en la pantalla táctil.
2. Inserte el arnés 5838 en el puerto "A" en la pantalla táctil.
Nota: No conecte el arnés 5838 al arnés de cableado del vehículo hasta el paso 1 de la sección Programación.
3. Conecte el arnés de 4 pines con conectores RCA amarillos en el puerto "C" en la pantalla táctil.
4. Desprecie los puertos "D" y "E", no se utilizarán en esta aplicación.
5. El puerto "F" es un puerto de actualización para futuras actualizaciones de firmware.



Nota: NO SE CONECTA!

Interfaz HVAC

6. Conecte el *arnés de la interfaz HVAC* en la interfaz HVAC y luego a los arneses de cableado en el vehículo. Estos arneses son los que se retiran del paso 11 en el desmontaje del tablero.
 - a. Después conecte el arnés de 10 pines dentro del ensamble del *tablero de circuitos de encendido/apagado del motor*.

¡Atención! Existen (2) conectores de 10 pines; uno en el ensamble del tablero de circuito de encendido/apagado del motor, y uno en la pantalla táctil. Use únicamente el conector apropiado e ignore el otro. Si se usa accidentalmente el puerto incorrecto, el vehículo deberá restablecerse quitando la batería durante unos minutos.

Nota: Ignore el arnés de 4 pines planos a 4 pines apilados; no se utilizará en esta aplicación.

7. Conecte el arnés de 6 pines del arnés 5838 en la interfaz HVAC.
8. Conecte el *arnés de la cámara de reversa de 12 pines* al arnés del cableado en el vehículo. Este arnés es el que se retira del paso 12 en el desmontaje del tablero.
9. Localice el conector de la antena de fábrica en el tablero y realice todas las conexiones necesarias al radio. Metra recomienda el uso de un adaptador adecuado de acoplamiento de Metra.

PROGRAMACIÓN

iAtención! Si la interfaz pierde la alimentación por cualquier motivo, deberá realizar los siguientes pasos de nuevo.

1. Vuelva a conectar el terminal negativo de la batería y conecte el arnés 5838 a los arneses de cableado del vehículo.

Nota: Este es un proceso cronometrado.

2. Presione el botón de empujar para arrancar para arrancar el vehículo.

Nota: Si se ha desconectado el módulo Push-to-Start en la consola central, vuelva a conectarlo antes de volver a conectar la batería.

3. Programe el equipo:

a. Una vez que se cargue la pantalla táctil, seleccione el tipo de vehículo.

b. Espere hasta que la radio se encienda y la pantalla táctil muestre SWC Configurado. Este proceso puede tardar hasta (3) minutos.

Nota: Si la pantalla táctil no se carga, o la radio no se enciende dentro de (3) minutos, y/o la pantalla táctil no muestra SWC Configurado, verifique todas las conexiones, luego reinicie la interfaz y vuelva a intentarlo. Consulte la sección Solución de problemas.

4. Apague la llave. Si la puerta del conductor está cerrada, abra y cierre la puerta. Vuelva a encender la llave.
5. Pruebe todas las funciones de la instalación para un funcionamiento adecuado, antes de volver a montar el tablero.

ENSAMBLE FINAL

1. Conecte el cable USB unido al panel de la moldura del radio con la pantalla táctil al puerto USB en la parte trasera del radio, en su caso.
2. Sujete el ensamblaje terminado en el tablero superior con la herramienta de fábrica que quitó en el paso 12 del desmontaje del tablero.
3. Coloque a presión el panel de la moldura del radio con la pantalla táctil sobre el ensamblaje completo y luego vuelva a armar el tablero al revés de cómo lo desarmó.

CARACTERÍSTICAS ADICIONALES

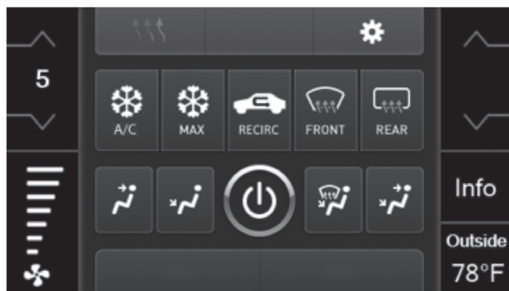
SYNC:

Si el vehículo está equipado con SYNC, el 99-5838CH puede conservar esta función.

1. Cambie la fuente del radio a AUX-IN.
2. Oprima el botón "Info" en la pantalla táctil para ingresar al menú SYNC.
3. Oprima el botón "HVAC" para regresar al Menú principal.

OPERACIÓN DE LA PANTALLA TÁCTIL

Pantalla de control HVAC

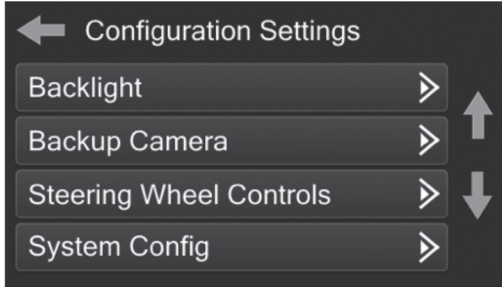


- Esta es la pantalla de control HVAC que se mostrará en la pantalla táctil. Esto se considera como la pantalla principal.
- Ignore la pestaña superior izquierda con (3) flechas; no se utilizará en esta aplicación.
- La etiqueta superior derecha con el ícono de engrane lo llevará a la pantalla de **Configuraciones**.
- Los controles del clima funcionarán del mismo modo que con los controles del clima de fábrica, solo que con botones en la pantalla táctil. El control de temperatura mostrará una escala numérica, siendo “LO” en más frío y “HI” el más caliente: LO / 1-9 / HI

Nota: El botón “Info” solo se mostrará si debe retenerse SYNC.

Continúa en la siguiente página

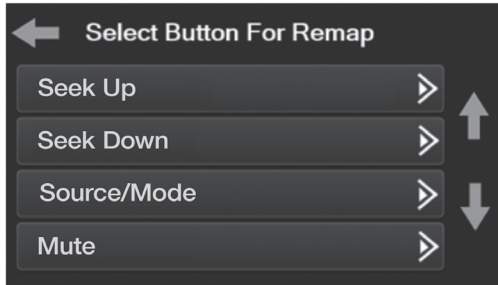
Pantalla de Configuraciones



- **Luz posterior**
 - Cuatro barras deslizantes controlan el color de los botones y la intensidad de la luz posterior: Luz posterior roja/verde/azul
- **Cámara trasera**
 - Habilitar: habilita la imagen en la cámara de reversa en la pantalla táctil
 - Inhabilitar: inhabilita la imagen en la cámara de reversa en la pantalla táctil (estándar)
- **Controles en el volante**
 - Botones de reubicación: para reubicar los botones del control en el volante
 - Doble asignación: para doble asignación de los botones de control en el volante (presionar el botón por largo tiempo)
 - Seleccionar radio: para detectar automáticamente el radio o cambiar el tipo de radio
- **Configuración del sistema**
 - Acerca de - Información sobre el software en el kit
 - Unidad de temperatura - Para cambiar entre Celsius y Fahrenheit
 - Restablecer el tipo de vehículo - Para restablecer el kit a la configuración predeterminada

CONFIGURACIÓN DEL CONTROL EN EL VOLANTE

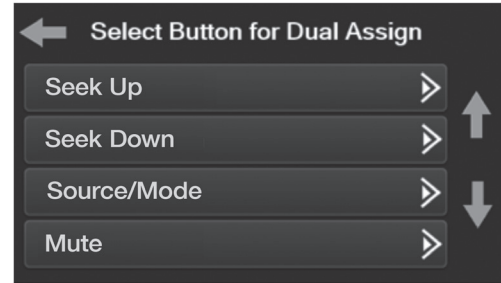
Pantalla para reubicar el botón



- La interfaz tiene la capacidad de cambiar la asignación de botón para los botones de audio del control en el volante, excepto para Subir volumen y Bajar volumen. Siga las indicaciones en la pantalla táctil para reubicar el(los) botón(es) de audio del control en el volante a su gusto.

Nota: El radio de mercado secundario puede no tener todos estos comandos. Consulte el manual del suministrado con el radio o comuníquese con el fabricante del radio para obtener los comandos específicos reconocidos por ese radio en particular.

Pantalla de doble asignación



- La interfaz tiene la capacidad de asignar dos funciones a un solo botón, excepto Subir volumen y Bajar volumen. Siga las indicaciones en la pantalla táctil para programar el(los) botón(es) a su gusto.

Nota: Buscar anterior y Buscar siguiente vienen programados como Subir preestablecido y Bajar preestablecido cuando se presiona el botón por largo tiempo.

Continúa en la siguiente página

CONFIGURACIÓN DE CONTROL EN VOLANTE (CONT.)

Seleccionar la pantalla del radio



- Para mostrar qué marca de radio se “detecta automáticamente” a la interfaz, oprima el botón “Autodetect”. El radio detectado tendrá un círculo relleno. Si se muestra el radio incorrecto, seleccione el radio correcto.
- Después se ve una lista de fabricantes de radio que la interfaz reconoce en ese momento. Otros pueden agregarse en una fecha posterior. Los radios universales de “2 o 3 cables” pueden mostrarse como cualquiera de estos fabricantes de radio.

Radios Detectados por Interfaz
Eclipse (tipo 1) †
Kenwood ‡
Clarion (tipo 1) †
Sony / Dual
JVC
Pioneer / Jensen
Alpine *
Visteon
Valor
Clarion (tipo 2) †
Metra OE
Eclipse (tipo 2) †
LG
Parrot **
XITE
Philips
TBA
JBL
Insane
Magnadyne
Boss
Axxera
Axxerra (tipo 2)

*Si la **interfaz SWC** parpadea en **Rojo** (7) veces y no hay una radio **Alpine** instalada, eso significa que hay una conexión abierta que no se tiene en cuenta. Verifique que el conector de 3.5 mm esté conectado al conector/cable correcto del volante en la radio.

** Se requiere el **AXSWCH-PAR** (se vende por separado). Además, el software de la radio debe ser rev. 2.1.4 o superior.

† Si se instala una radio **Clarion** o **Eclipse** y los controles del volante no funcionan, cambie la radio a **Clarion (tipo 2)** o **Eclipse (tipo 2)** respectivamente. Si los controles del volante aún funcionan, consulte el documento **Cambio de tipo de radio** disponible en axessinterfaces.com.

‡ Si se instala una radio **Kenwood** y el L.E.D. la retroalimentación parpadea (5) veces en lugar de (2), cambie manualmente el tipo de radio a **Kenwood**. Para hacer esto, consulte el documento **Cambio de tipo de radio** disponible en axessinterfaces.com.

RESOLUCIÓN DE PROBLEMAS

Restablecimiento de la interfaz

Opción 1

1. Con todo conectado y el coche en marcha.
2. Mantenga presionados los botones inferiores durante (3) segundos y luego suéltelos. (Figura A)
Nota: La pantalla se volverá negra y luego lo colocará en la pantalla de selección de vehículos.
3. Seleccione su vehículo y espere hasta que aparezca "SWC configurado" en la pantalla.
4. Apague el encendido y encienda el vehículo, luego pruebe su interfaz.

Opción 2

1. Con el vehículo en marcha, presione el botón **Reset Vehicle Type** mencionado en **System Configuration**.
2. Consulte **Programación**, paso 3, desde este punto.



(Figura A)



99-5838CH
INSTRUCCIONES DE INSTALACIÓN



¿Tienes dificultades? Estamos aquí para ayudar.



Póngase en contacto con nuestra
línea de soporte técnico en:
386-257-1187



O por correo electrónico a:
techsupport@metra-autosound.com

Horas de soporte técnico (hora estándar del este)

Lunes - Viernes: 9:00 AM - 7:00 PM

Sábado: 10:00 - 19:00

Domingo: 10:00 - 16:00



EL CONOCIMIENTO ES PODER
Mejore sus habilidades de instalación y fabricación inscribiéndose en la escuela de dispositivos electrónicos móviles más reconocida y respetada de nuestra industria. Regístrese en www.installerinstitute.com o llame al 800-354-6782 para obtener más información y avance hacia un futuro mejor.



Metra recomienda técnicos con certificación del Programa de Certificación en Electrónica Móvil (Mobile Electronics Certification Program, MECP).