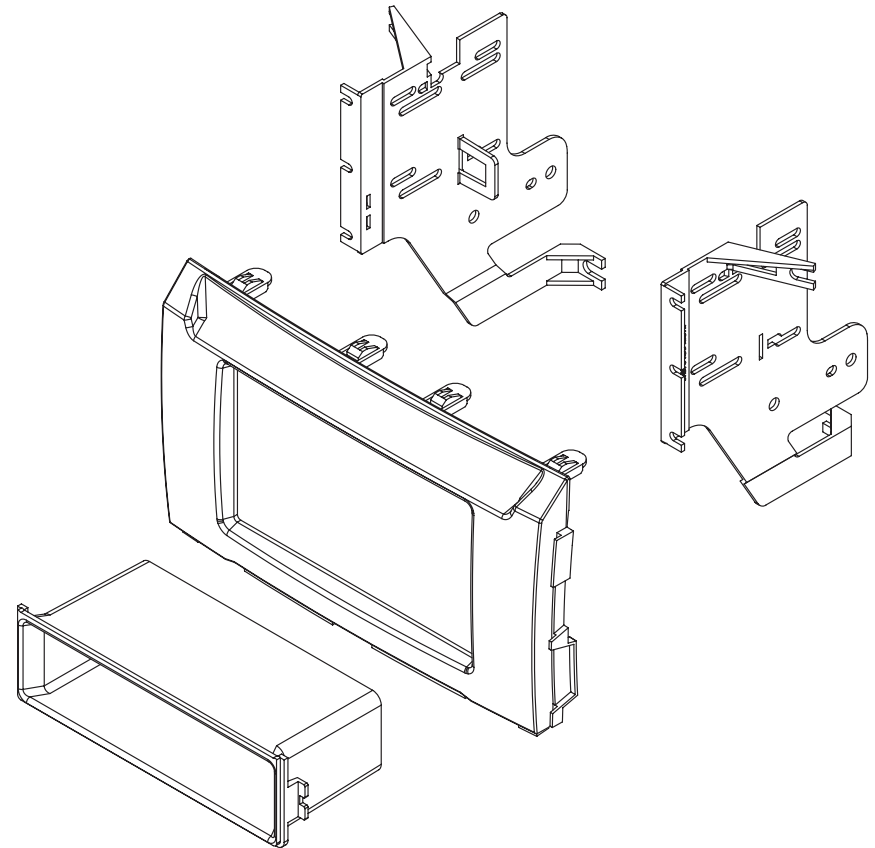




**American
International**
Car Stereo Installation Kits & Accessories



NDK754GB Mounting Kit



www.aampglobal.com www.aius.net

2500 East Francis Street Ontario, CA 91761, U.S.A.

Sales: (800) 477-2267

Intl: (727) 572-9255

Support: 888-228-5560

iNDK754GB

VEHICLE APPLICATION

Nissan

2016-17 TITAN

DASH DISASSEMBLY

1. Surrounding the glove box remove the (5) T-20 Torx screws (remove)
2. From the panel below the steering column remove (2) Phillips screws (loosen panel)
3. At the front of the center console unclip and remove the (2) side trim panels, remove (1) Phillips screw now exposed behind each panel. (Unsnap the front sides to remove)
4. For vehicles not equipped with a center console remove drink tray.
For vehicles equipped with center console continue to step 5.
If not equipped with console skip to step 7.
5. From the center console remove (2) 12mm bolts at the rear sides
(Move seats to access)
6. From the front of the console Unclip and remove the pocket or heated seat controls.
Unclip and remove panel at the center console / dashboard, remove (2) Phillips screws that are now exposed.
7. On each side of the radio/climate control panel unclip and remove the vents.
8. From the accessory panel remove the (2) Phillips screws, (unclip and remove)
9. From the climate control panel remove the (2) Phillips screws (remove)
10. From the radio remove the (4) Phillips screws (remove)

Note: If equipped with climate control module below the radio, Remove and reuse in kit assembly.

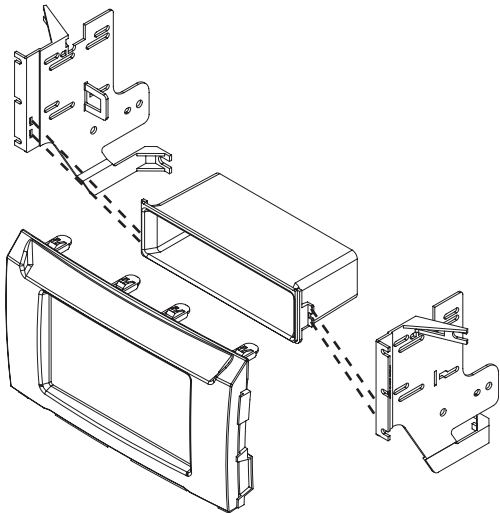
KIT ASSEMBLY INSTRUCTIONS

Single ISO Mount Application

1. Insert pocket into lower section of the brackets and snap into rear pocket support tabs.
2. Install brackets to rear of main frame using the (6) screws provided.
3. Insert ISO mountable radio between ISO mount brackets and loosely attach to sides of radio using screws provided with radio when possible, or screws supplied with kit.
4. Using the main frame of the as a guide, slide radio forward or backward for desired look and then tighten screws to the radio.

Note: Attach a rear support bracket to the rear of the new radio and adjust as necessary to support the weight of the radio. Suggested

Figure A



DOUBLE DIN INSTALLATION INSTRUCTIONS

Double DIN ISO Mount Application

See Fig B for bracket tab removal.

1. Install brackets to rear of main frame using the (6) screws provided.
2. Insert ISO mountable radio between ISO mount brackets and loosely attach to sides of radio using screws provided with radio when possible, or screws supplied with kit.
3. Using the main frame of the as a guide, slide radio forward or backward for desired look and then tighten screws to the radio.

Note: Attach a rear support bracket to the rear of the new radio and adjust as necessary to support the weight of the radio. Suggested.

Figure B

