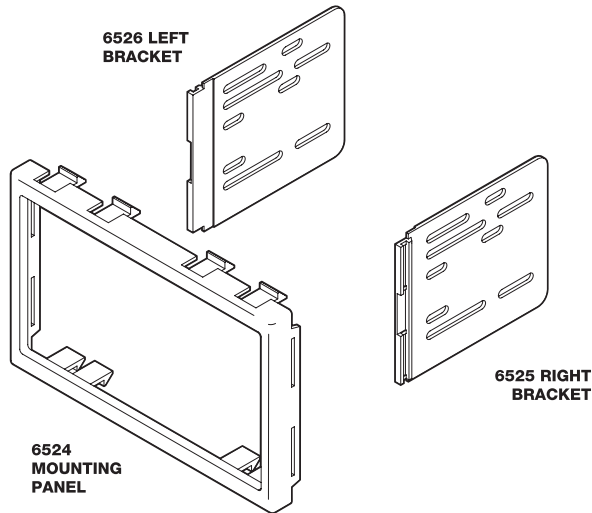


**IN-DASH DOUBLE DIN STEREO INSTALLATION KIT FOR  
1995-03 SELECT MAZDA VEHICLES**

**VEHICLE APPLICATIONS:**

- 1998-03 MAZDA 626
- 1995-03 MAZDA MILLENIA
- 1999-03 MAZDA PROTEGE
- 2002-03 MAZDA PROTEGE 5



**INTRODUCTION/PRELIMINARY**

This premium installation kit is for 1995-03 select Mazda vehicles. Included are all the parts you need to mount your car stereo or CD player into your vehicle's dash. Refer to the individual instruction in this manual to remove your vehicle's factory radio and assemble the kit.

**CAUTION**

**DISCONNECT YOUR VEHICLE'S NEGATIVE BATTERY TERMINAL BEFORE THE INSTALLATION TO HELP PREVENT ELECTRICAL DAMAGE. WE RECOMMEND THE USE OF A VOLT/OHM METER OVER A TEST LIGHT TO CHECK WIRING. A TEST LIGHT OR GROUNDED WIRE PROBE CAN CAUSE DAMAGE TO THE VEHICLE'S COMPUTER AND/OR DIAGNOSTIC SYSTEMS. AVOID ALL FACTORY AIRBAG WIRING - AIRBAGS CAN ACCIDENTALLY DEPLOY CAUSING SERIOUS INJURY OR DEATH.**

**NOTES**

- See your vehicle's instructions for any special tools your installation might require.
- Read all instructions accompanying your car stereo for proper wiring and mounting instructions.

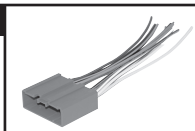
**FACTORY WIRING CODES**

For Factory Wiring Codes go to: [www.scosche-cars.com](http://www.scosche-cars.com)

**CAR STEREO CONNECTORS**

PROVIDE EASY CONNECTION OF YOUR CAR STEREO TO FACTORY WIRING HARNESS.

**MA03B**  
2000-Up Mazda



**LIABILITY DISCLAIMER**

This instruction booklet is based on carefully documented data and research of automobile dash disassembly, wire harness/codes and information pertaining to installation of this kit (MA1541B) in 1995-03 select Mazda vehicles. Scosche Industries, Inc. cannot be held responsible for discrepancies/inconsistencies that may occur due to the automobile manufacturing changes or options, or damage that may occur in the automobile during the installation of components while using this booklet.

If you have any further questions, call our toll free technical help line at: **1-800-621-3695x3**

**FACTORY STEREO REMOVAL**

- 1998-03 MAZDA 626
- 1995-03 MAZDA MILLENIA
- 1999-03 MAZDA PROTEGE

**NOTE:** The factory stereo provision is for a DIN stereo.

1. Carefully remove plastic covers on stereo sides.
2. Use Scosche DT-1 DIN removal tools (sold separately) to release stereo, lift away, disconnect and remove.

- 2002-03 MAZDA PROTEGE 5

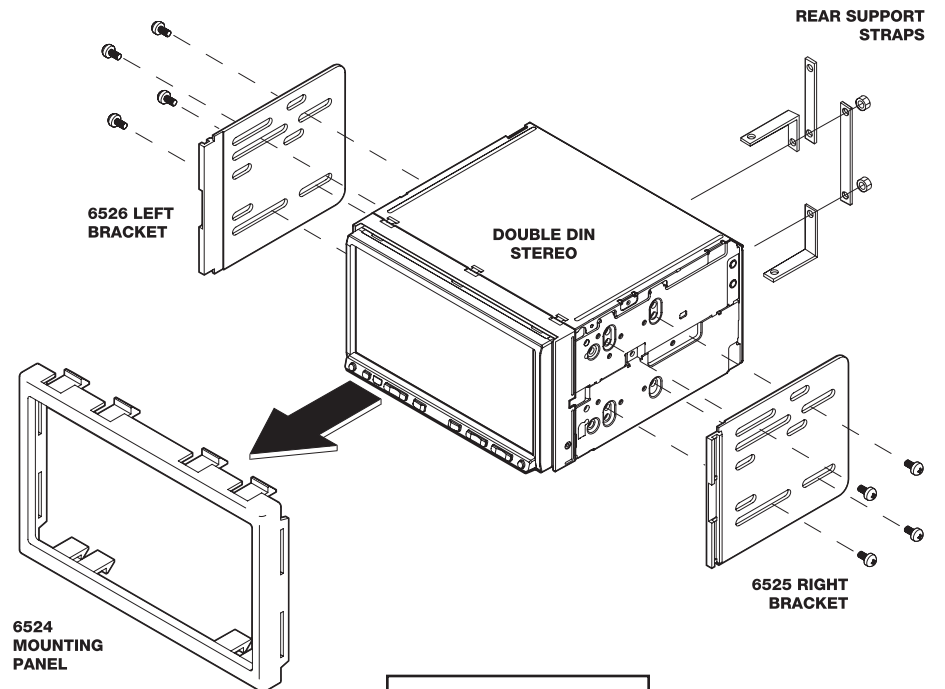
**NOTE:** The factory stereo provision is for a DIN stereo.

1. Pull glove box down and remove. Disconnect climate control cable from lever.
2. Disconnect climate control cable on driver's side under dash above gas pedal.
3. Remove stereo's end caps.
4. Use Scosche DT-1 DIN removal tools (sold separately) to release stereo, lift away, disconnect and remove.

**MOUNTING THE STEREO**

**DOUBLE DIN ISO MOUNT**

1. Slide the 6526 left and 6525 right ISO brackets into their corresponding slots in the 6524 mounting panel.
2. Mount the stereo to the brackets with the aftermarket stereo's supplied screws.



**NOTE:**  
REAR SUPPORT AVAILABLE SEPARATELY. REAR SUPPORTING THE STEREO ADDS TO THE INSTALLATION'S STRUCTURAL INTEGRITY.