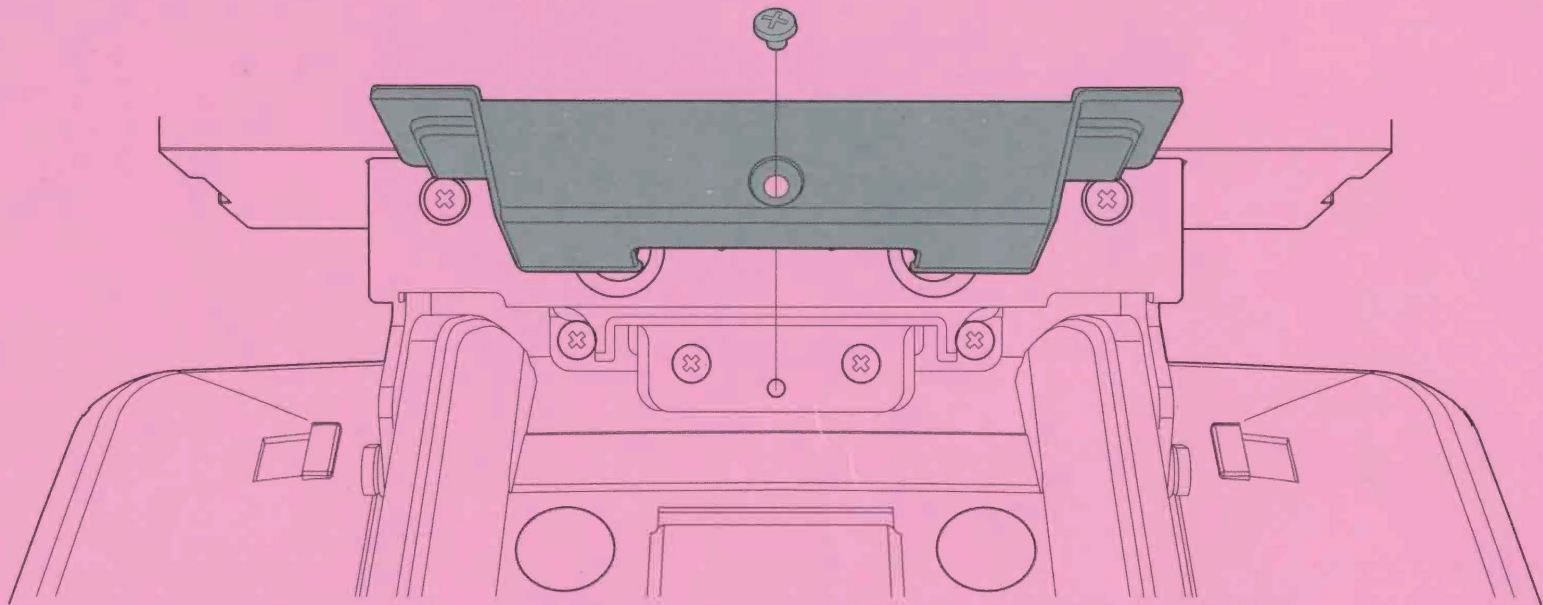




WARNING

The iLX-F259 will not power up until the Power Plate is installed.



* Power plate is attached to the back of the display

M3544242010





EN

FR

ES

ALPINE HALO9 9-INCH AUDIO/VIDEO RECEIVER

iLX-F259

- INSTALLATION MANUAL
- GUIDE D'INSTALLATION
- MANUAL DE INSTALACIÓN

ALPINE ELECTRONICS MARKETING, INC.

1-7, Yukigaya-Otsukamachi, Ota-ku,
Tokyo 145-0067, JAPAN
Phone: 03-5499-4531

ALPINE ELECTRONICS OF AMERICA, INC.

1500 Atlantic Blvd,
Auburn Hills, Michigan 48326 U.S.A.
Phone 1-800-ALPINE-1 (1-800-257-4631)

ALPINE ELECTRONICS OF AUSTRALIA PTY. LIMITED

161-165 Princes Highway, Hallam
Victoria 3803, Australia
Phone 03-8787-1200

ALPINE ELECTRONICS GmbH

Ohmstraße 4
85716 Unterschleißheim, Germany
Phone: 089-32 42 640

ALPINE ELECTRONICS OF U.K., LTD.

Alpine House
Fletchamstead Highway, Coventry CV4 9TW, U.K.
www.alpine.co.uk

ALPINE ELECTRONICS FRANCE S.A.R.L.

184 allée des Erables
CS 52016 – Villepinte
95 945 Roissy CDG cedex
FRANCE
Phone : + 33(0)1 48 63 89 89

ALPINE ITALIA Sp.A.

Viale Cristoforo Colombo 8,
20090 Trezzano sul Naviglio MI, Italy
Phone +39 02 484781

ALPINE ELECTRONICS DE ESPAÑA, S.A.

Portal de Gamarra 36, Pabellón, 32
01013 Vitoria (Alava)-APDO 133, Spain
Phone 945-283588



Contents

WARNING	2
CAUTION	2
Precautions	3
Accessory List	3
Installation	3
Caution concerning the installation location	3
Adjust the front-back position of the Display unit (Optional)	4
Mounting the Microphone	4
Installation example using the Original Mounting Bracket	5
Install the display unit	5
Connections	9
If an ACC power supply is not available	11
System Example	12
Position Adjustment and Mounting Dimensions of the Display	15



WARNING

This symbol means important instructions. Failure to heed them can result in serious injury or death.

DO NOT DISASSEMBLE OR ALTER.

Doing so may result in an accident, fire or electric shock.

KEEP SMALL OBJECTS SUCH AS SCREWS OUT OF THE REACH OF CHILDREN.

Swallowing them may result in serious injury. If swallowed, consult a physician immediately.

USE THE CORRECT AMPERE RATING WHEN REPLACING FUSES.

Failure to do so may result in fire or electric shock.

DO NOT BLOCK VENTS OR RADIATOR PANELS.

Doing so may cause heat to build up inside and may result in fire.

USE THIS PRODUCT FOR MOBILE 12V APPLICATIONS.

Use for other than its designed application may result in fire, electric shock or other injury.

MAKE THE CORRECT CONNECTIONS.

Failure to make the proper connections may result in fire or product damage.

USE ONLY IN CARS WITH A 12 VOLT NEGATIVE GROUND.

(Check with your dealer if you are not sure.) Failure to do so may result in fire, etc.

BEFORE WIRING, DISCONNECT THE CABLE FROM THE NEGATIVE BATTERY TERMINAL.

Failure to do so may result in electric shock or injury due to electrical shorts.

DO NOT ALLOW CABLES TO BECOME ENTANGLED IN SURROUNDING OBJECTS.

Arrange wiring and cables in compliance with the manual to prevent obstructions when driving. Cables or wiring that obstruct or hang up on places such as the steering wheel, gear lever, brake pedals, etc. can be extremely hazardous.

DO NOT SPLICE INTO ELECTRICAL CABLES.

Never cut away cable insulation to supply power to other equipment. Doing so will exceed the current carrying capacity of the wire and result in fire or electric shock.

DO NOT DAMAGE PIPE OR WIRING WHEN DRILLING HOLES.

When drilling holes in the chassis for installation, take precautions so as not to contact, damage or obstruct pipes, fuel lines, tanks or electrical wiring. Failure to take such precautions may result in fire.

DO NOT USE BOLTS OR NUTS IN THE BRAKE OR STEERING SYSTEMS TO MAKE GROUND CONNECTIONS.

Bolts or nuts used for the brake or steering systems (or any other safety-related system), or tanks should NEVER be used for installations or ground connections. Using such parts could disable control of the vehicle and cause fire etc.

DO NOT INSTALL IN LOCATIONS WHICH MIGHT HINDER VEHICLE OPERATION, SUCH AS THE STEERING WHEEL OR GEARSHIFT.

Doing so may obstruct forward vision or hamper movement etc. and results in serious accident.

DO NOT INSTALL THE MONITOR NEAR THE PASSENGER SEAT AIR BAG.

If the unit is not installed correctly the air bag may not function correctly and when triggered the air bag may cause the monitor to spring upwards causing an accident and injuries.



CAUTION

This symbol means important instructions. Failure to heed them can result in injury or material property damage.

HAVE THE WIRING AND INSTALLATION DONE BY EXPERTS.

The wiring and installation of this unit requires special technical skill and experience. To ensure safety, always contact the dealer where you purchased this product to have the work done.

USE SPECIFIED ACCESSORY PARTS AND INSTALL THEM SECURELY.

Be sure to use only the specified accessory parts. Use of other than designated parts may damage this unit internally or may not securely install the unit in place. This may cause parts to become loose resulting in hazards or product failure.

ARRANGE THE WIRING SO IT IS NOT CRIMPED OR PINCHED BY A SHARP METAL EDGE.

Route the cables and wiring away from moving parts (like the seat rails) or sharp or pointed edges. This will prevent crimping and damage to the wiring. If wiring passes through a hole in metal, use a rubber grommet to prevent the wire's insulation from being cut by the metal edge of the hole.

DO NOT INSTALL IN LOCATIONS WITH HIGH MOISTURE OR DUST.

Avoid installing the unit in locations with high incidence of moisture or dust. Moisture or dust that penetrates into this unit may result in product failure.

Precautions

- Be sure to disconnect the cable from the (-) battery post before installing your unit. This will reduce any chance of damage to the unit in case of a short-circuit.
- Be sure to connect the color coded leads according to the diagram. Incorrect connections may cause the unit to malfunction or damage to the vehicle's electrical system.
- When making connections to the vehicle's electrical system, be aware of the factory installed components (e.g. on-board computer). Do not tap into these leads to provide power for this unit. When connecting the unit to the fuse box, make sure the fuse for the intended circuit of the unit has the appropriate amperage. When in doubt, consult your Alpine dealer.
- The unit uses female RCA-type jacks for connection to other units (e.g. amplifier) having RCA connectors. You may need an adaptor to connect other units. If so, please contact your authorized Alpine dealer for assistance.
- Be sure to connect the speaker (-) leads to the speaker (-) terminal. Never connect left and right channel speaker cables to each other or to the vehicle body.

Accessory List

Main unit.....	1
Display unit.....	1
Owner's Manual	1set

<Cables>

Power cable.....	1
USB extension cable	1
PRE OUT cable.....	1
Microphone	1

<Main unit mounting parts>

Flush head screw (M5×8).....	4
Screw (M5×8)	4

<Display unit mounting parts>

POWER PLATE.....	1
Cover rear L	1
Cover rear R.....	1
Flush head screw (M4×13)	2(*1)
Screw (M4×6)	7(*2)
Screw (M3×4)	2(*3)

- Amounts of Display unit mounting parts marked with * include spare parts provided in case of loss. Store them safely.

*1 Number of spares for up-down adjustment of the Display.

*2 Includes 3 spares for fixing and adjusting the angle of the Display.

*3 Includes 1 spare for fixing the Cover middle.

Installation

Mounting

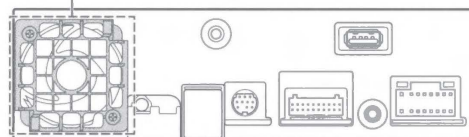
Consult "Position Adjustment and Mounting Dimensions of the Display" (page 15) in advance so that this unit does not obstruct your field of vision or impair driving when mounted.

Caution

- Do not block the unit's fan, thus preventing air circulation. If blocked, heat will accumulate inside the unit and may cause a fire.

<example>

Air ventilation hole

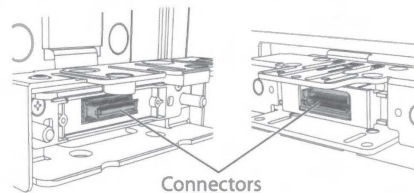


Rear of the Unit

- When installing the display unit and main unit, do not touch the connectors with your hands.

<Display unit>

<Main unit>

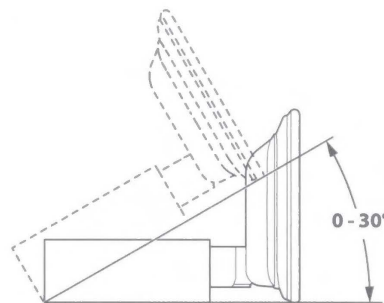


Connectors

Caution concerning the installation location

Angle of installation

Install at an angle between horizontal and 30°. Note that installing at an angle outside of this range will result in a loss of performance and possibly damage.



Adjust the front-back position of the Display unit (Optional)

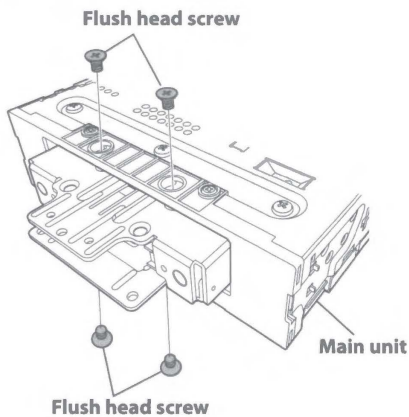
Depending on the vehicle, it may be necessary to adjust the front-back position of the Display unit when mounting it. If front-back position adjustment is necessary, set the slider to the back position before mounting the display unit to the vehicle. [Default setting: forward position]



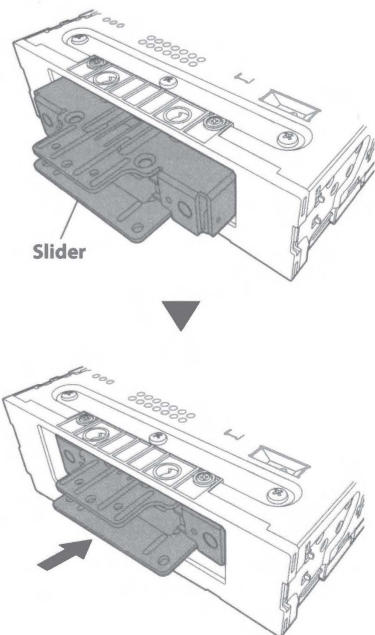
WARNING

MAGNETIC SCREWDRIVER REQUIRED TO CAREFULLY REMOVE SCREWS.

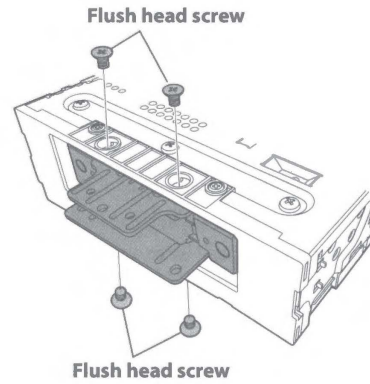
- 1 Remove 4 flush head screws from the Top and Bottom of the main unit.



- 2 Push the slider to the back position (To return the slider to the forward position, pull it forward).



- 3 Tightly fix the slider using the 4 screws that were removed in Step 1.

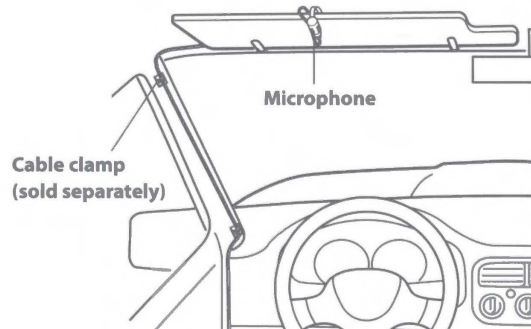


Mounting the Microphone

For safe use, make sure of the following:

- Location is stable and firm.
- Does not interfere with safety equipment.
- Driver's view and operations are not obstructed.
- Microphone is located where the driver's voice can be easily picked up (for example, on the sun visor).

When you speak into the microphone, you should not have to change your driving posture. This may cause a distraction, taking your attention away from safely driving your vehicle. Carefully consider direction and distance while mounting the microphone. Confirm that the driver's voice can be easily picked up at the selected location.

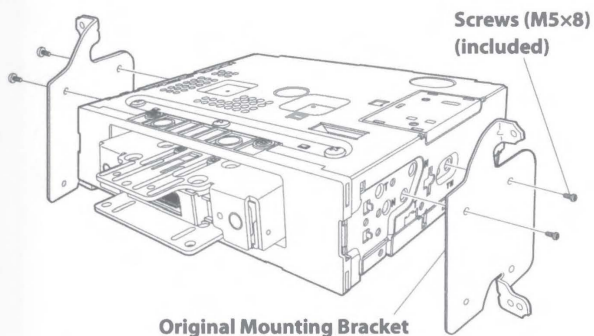


Installation example using the Original Mounting Bracket

- 1 Mount the original mounting bracket to the main unit using the supplied screws.

- If you do not have the original mounting bracket, mount the Double din KIT* (provided with the side mounting bracket), etc. to the main unit.

* Sold separately.



- 2 Connect all other leads of the main unit according to details described in the "Connections" (page 9).

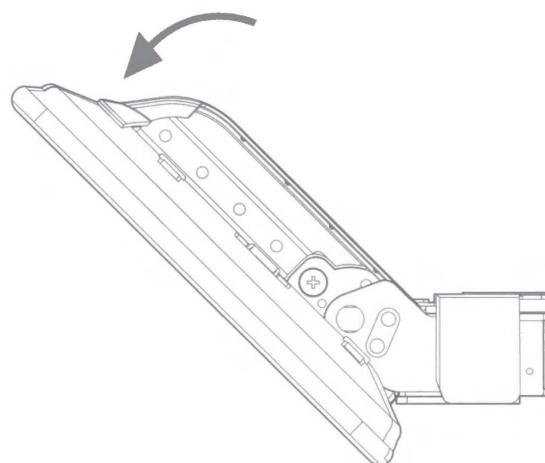
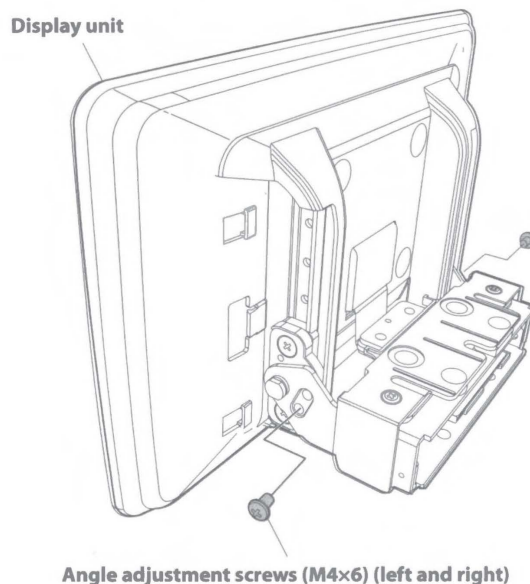
- 3 Mount the main unit in a car.

- Fix the cables carefully. Do not damage them by mounting them into movable parts, such as the seat rail, or by locating them against sharp or pointed edges.

- 4 Reattach the removed vehicle parts (panels, etc.) or other aftermarket dash kit back onto the vehicle.

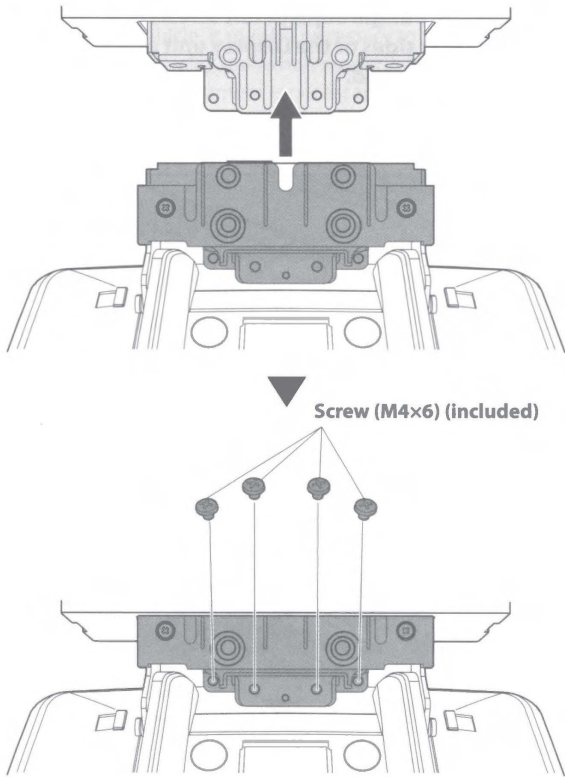
Install the display unit

- 1 Remove the 2 angle adjustment screws (M4x6) fixing the left and right sides of the Display unit and pull the top of the display forward.



- Vertical positioning screws may need to be removed earlier (See Step 4) in order to manipulate the screen enough to install the POWER PLATE.

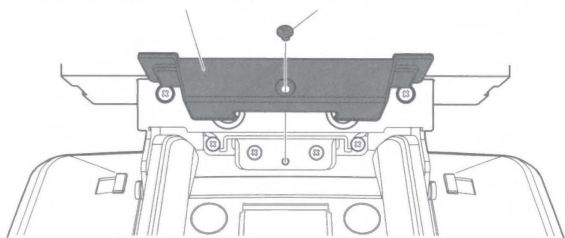
2 Fix the Display unit to the slider of the main unit using 4 screws (M4×6).



Screw (M4×6) (included)

3 Mount the POWER PLATE using a screw (M3×4).

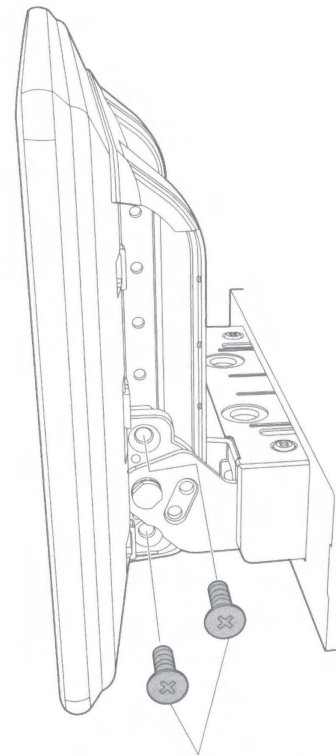
POWER PLATE (included) Screw (M3×4) (included)



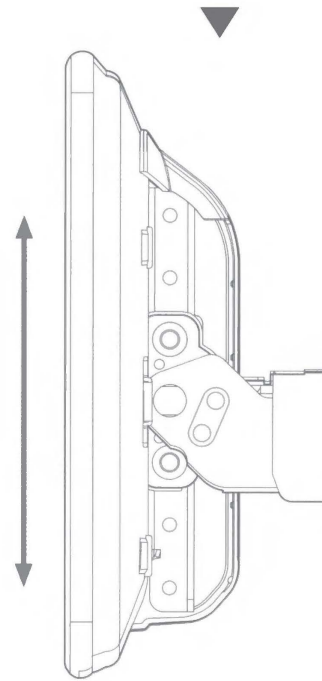
- If you do not attach the POWER PLATE, the display will not turn on. Make sure to attach the POWER PLATE.

4 Adjust the mounting position of the display.

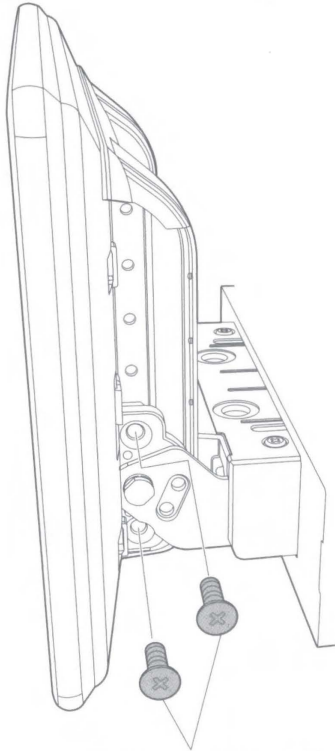
- The available adjustment positions of the Display differ depending on the front-back/up-down/angle positions. Consult "Position Adjustment and Mounting Dimensions of the Display" (page 15) for details.
 - 1) Hold the Display up vertically, remove the 4 flush head screws (M4×13) on the left and right sides for up-down adjustment, and adjust the up-down position of the display.



Flush head screw (M4×13)
(left and right)

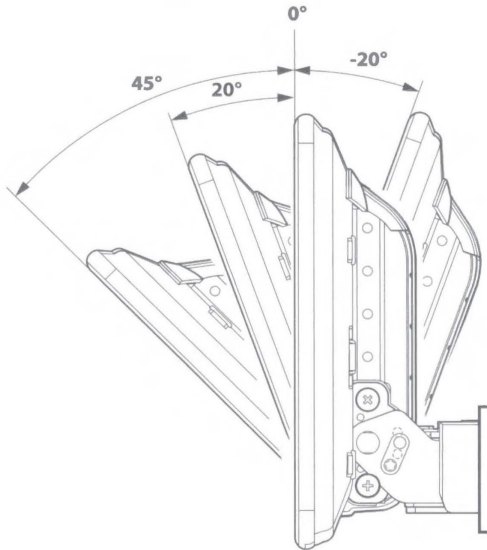


- 2) After adjustment, tightly fix the display with the 4 Flush head screws (M4×13) for up-down adjustment.



Flush head screw (M4×13)
(left and right)

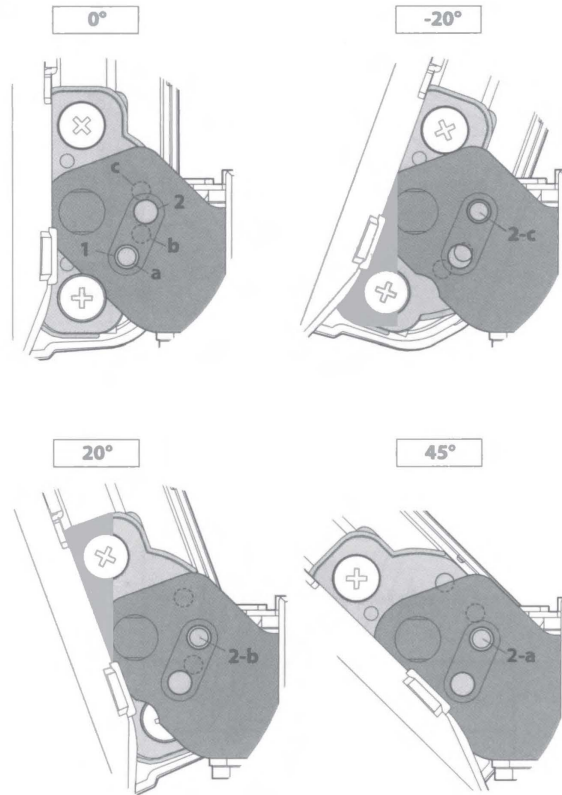
- 3) Adjust the angle of the display.



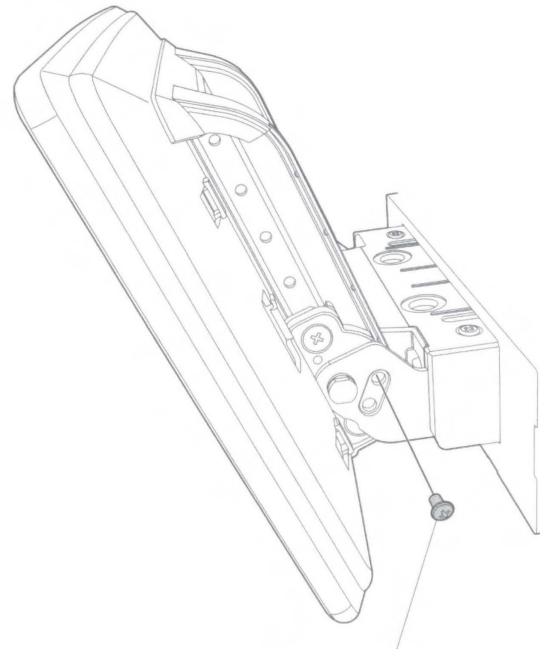
Refer to the illustration below to use the screw holes for angle adjustment.

- Example:

To install the display at the angle of 20°, use the screw holes 2 and b.

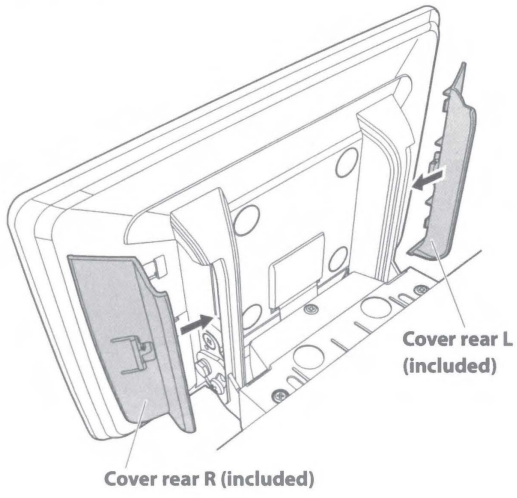


- 4) After adjustment, secure the display with the 2 angle adjustment screws (M4×6) (left and right) that were removed in Step 1 on page 5.

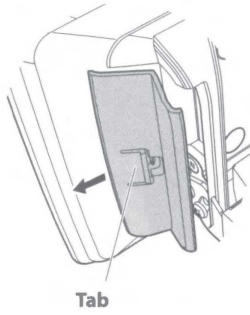


Angle adjustment screws (M4×6)
(left and right)

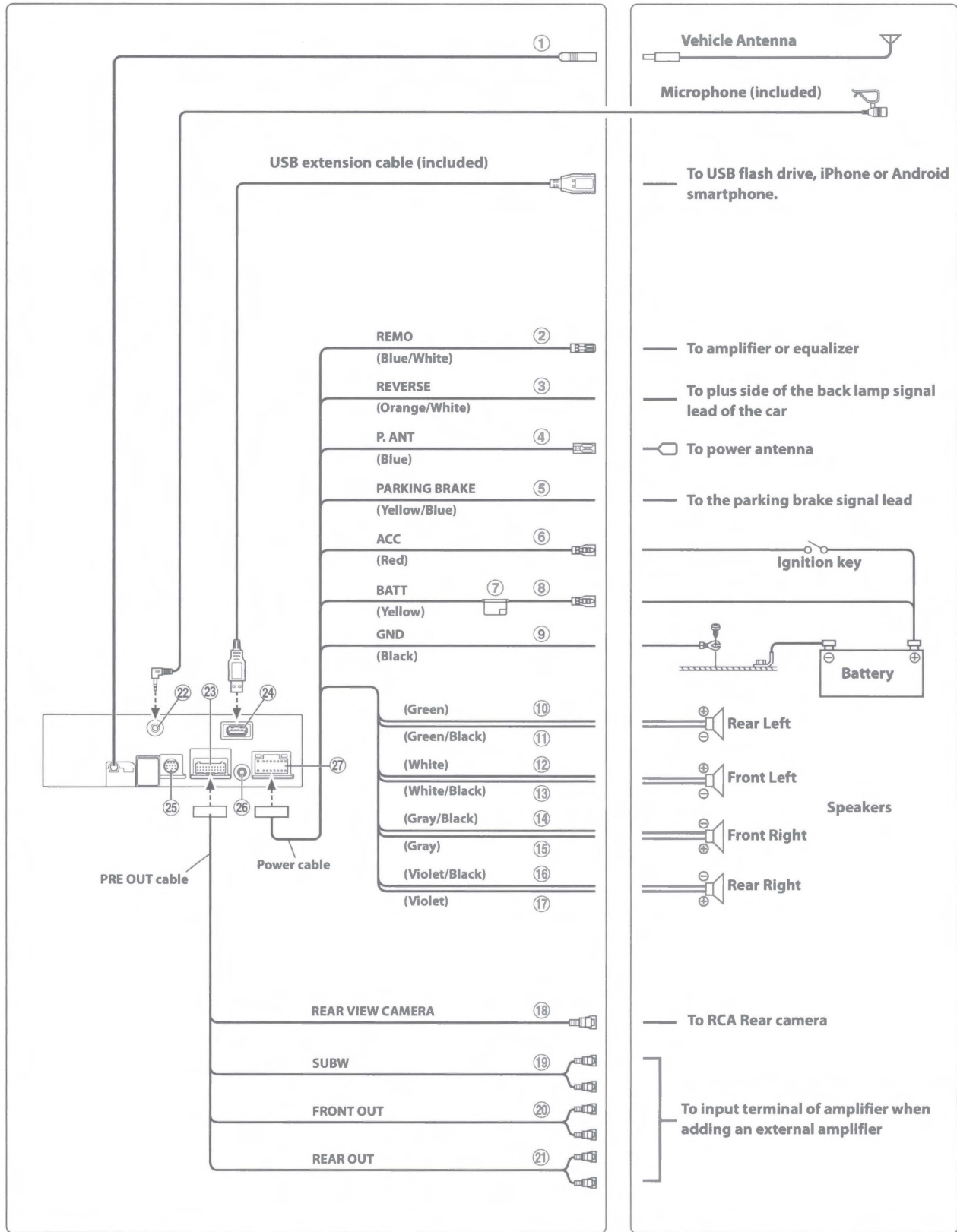
5 Attach Cover rear-L/R to the left and right sides of the display unit.



- When removing Cover rear-L/R, push in the tab and slide it.



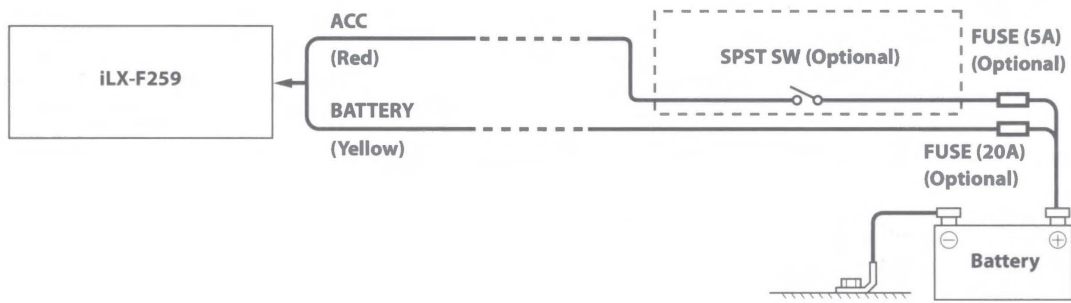
Connections



- ① **Radio Antenna Receptacle**
- ② **Remote Turn-On Lead (Blue/White)**
Connect this lead to the remote turn-on lead of your amplifier or signal processor.
- ③ **Reverse Lead (Orange/White)**
- ④ **Power Antenna Lead (Blue)**
Connect this lead to the +B terminal of your power antenna, if applicable.
 - *This lead should be used only for controlling the vehicle's power antenna. Do not use this lead to turn on an amplifier or a signal processor, etc.*
- ⑤ **Parking Brake Lead (Yellow/Blue)**
Connect this lead to the power supply side of parking brake switch to transmit the parking brake status signals to the unit.
- ⑥ **Switched Power Lead (Ignition) (Red)**
Connect this lead to an open terminal on the vehicle's fuse box or another unused power source that provides (+) 12V only when the ignition is turned on or in the accessory position.
- ⑦ **Fuse Holder (15A)**
- ⑧ **Battery Lead (Yellow)**
Connect this lead to the positive (+) post of the vehicle's battery.
- ⑨ **Ground Lead (Black)**
Connect this lead to a good chassis ground on the vehicle. Make sure the connection is made to bare metal and is securely fastened using the sheet metal screw provided.
- ⑩ **Left Rear (+) Speaker Output Lead (Green)**
- ⑪ **Left Rear (-) Speaker Output Lead (Green/Black)**
- ⑫ **Left Front (+) Speaker Output Lead (White)**
- ⑬ **Left Front (-) Speaker Output Lead (White/Black)**
- ⑭ **Right Front (-) Speaker Output Lead (Gray/Black)**
- ⑮ **Right Front (+) Speaker Output Lead (Gray)**
- ⑯ **Right Rear (-) Speaker Output Lead (Violet/Black)**
- ⑰ **Right Rear (+) Speaker Output Lead (Violet)**
- ⑱ **CAMERA Input RCA Connector**
Use when connecting a camera with RCA Output Connector.
- ⑲ **Subwoofer RCA Connectors**
RED is right and WHITE is left.
- ⑳ **Front Output RCA Connectors**
Can be used as Front Output RCA Connectors. RED is right and WHITE is left.
- ㉑ **Rear Output RCA Connectors**
Can be used as Rear Output RCA Connectors. RED is right and WHITE is left.
- ㉒ **MIC Input Connector**
To microphone (included)
- ㉓ **CAMERA/PRE OUT Connector**
- ㉔ **USB Connector**
To USB flash drive, iPhone or Android smartphone.
- ㉕ **SiriusXM Tuner Input Connector**
To SiriusXM Tuner (sold separately).
 - *For more information on how to install the SiriusXM Connect Vehicle tuner, consult the installation guide included with the tuner.*
- ㉖ **Steering Remote Control Interface Connector**
To steering remote control interface.
For details about connections, consult your nearest Alpine dealer.
- ㉗ **Power Supply Connector**

If an ACC power supply is not available

Connection Diagram of SPST Switch (sold separately)



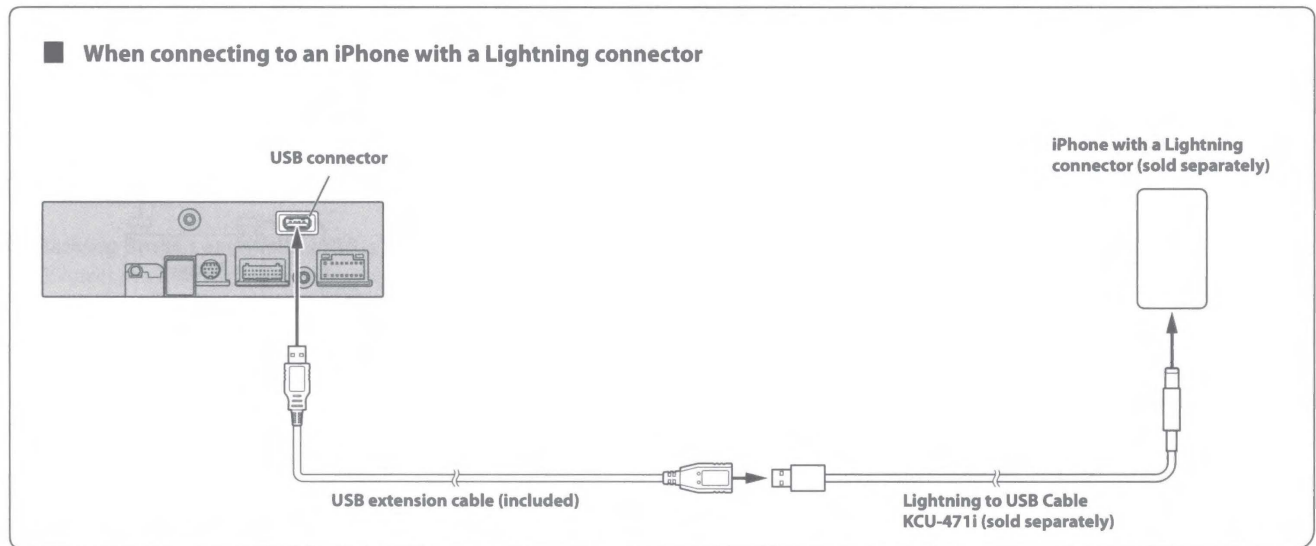
- If your vehicle has no ACC power supply, add an SPST (single-pole, single-throw) switch (sold separately) and fuse (sold separately).
- The diagram and the fuse amperage shown above are in the case when the unit is used individually.
- If the switched power (ignition) lead of the unit is connected directly to the positive (+) post of the vehicle's battery, the unit draws some current (several hundred milliamperes) even when its switch is placed in the OFF position, and the battery may be discharged.

To prevent external noise from entering the audio system.

- Locate the unit and route the leads at least 10 cm away from the car harness.
- Keep the battery power leads as far away from other leads as possible.
- Connect the ground lead securely to a bare metal spot (remove any paint, dirt or grease if necessary) of the car chassis.
- If you add an optional noise suppressor, connect it as far away from the unit as possible. Your Alpine dealer carries various noise suppressors, contact them for further information.
- Your Alpine dealer knows best about noise prevention measures so consult your dealer for further information.

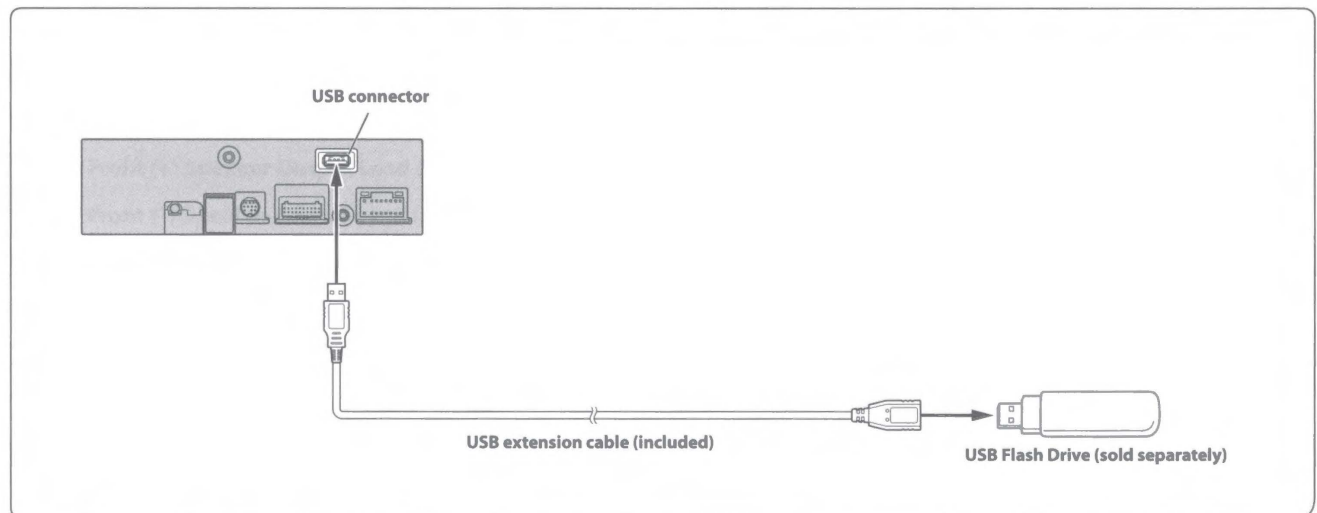
System Example

Connection of an iPhone



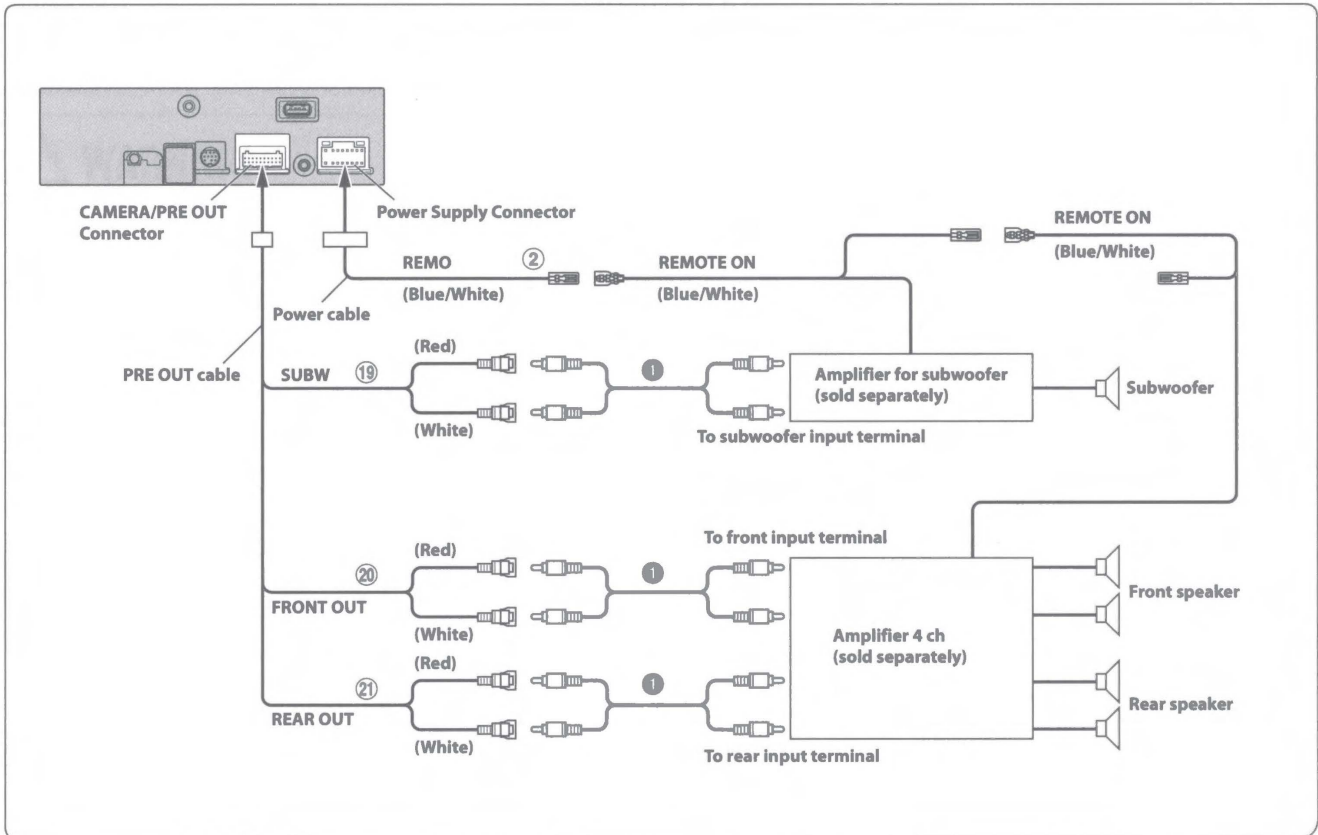
- Do not leave an iPhone in a vehicle for a long time. Heat and humidity may damage the iPhone, and you may not be able to play it again.

Connection of a USB Flash Drive



- Do not leave a flash drive in a vehicle for a long time. Heat and humidity may damage the flash drive.

Connection of an External Amplifier



② Remote Turn-On Lead (Blue/White)

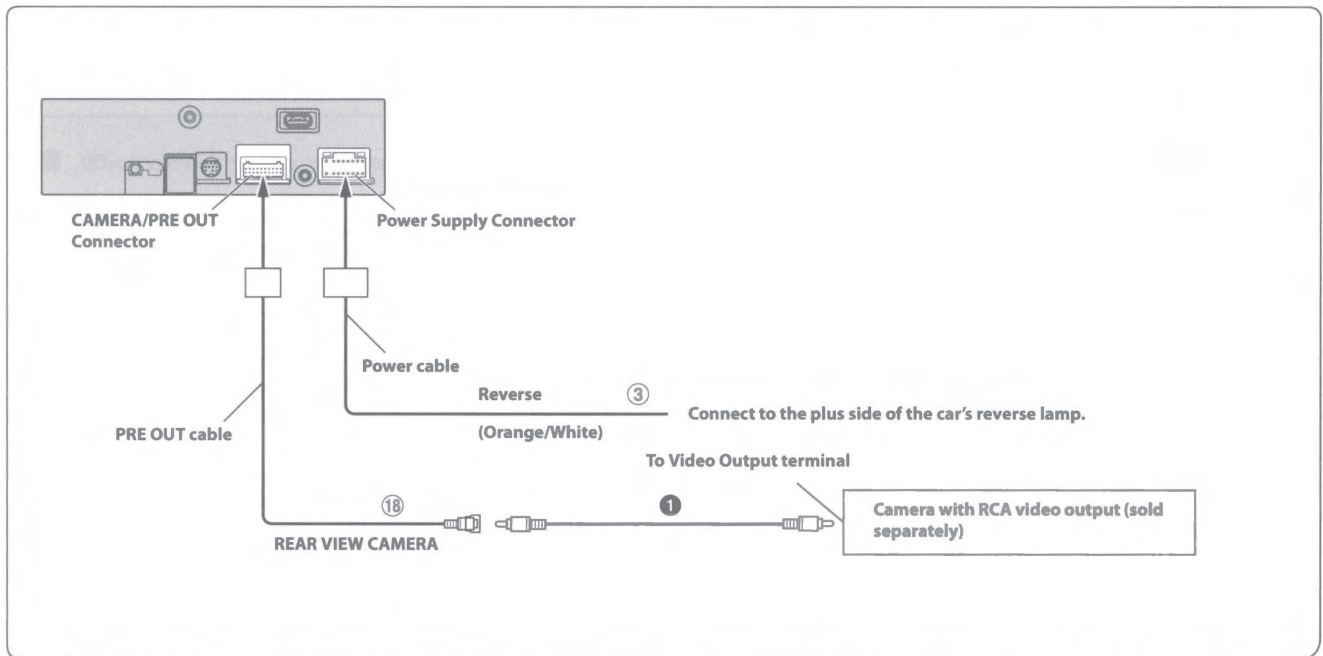
⑱ Subwoofer RCA Connectors

⑳ Front Output RCA Connectors

㉑ Rear Output RCA Connectors

① RCA Extension Cable (sold separately)

Connection of a Rearview camera



③ Reverse Lead (Orange/White)

① RCA Extension Cable (sold separately)

⑱ CAMERA Input RCA Connector

- Set the Camera Select to "Rear." For details, refer to "Setting the Camera Input" in the OWNER'S MANUAL.

Position Adjustment and Mounting Dimensions of the Display

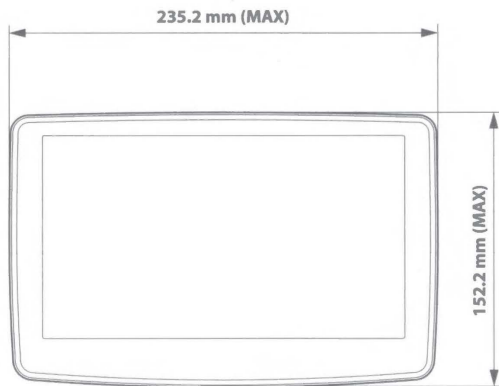
The mounting position of this unit's Display can be adjusted (front-back/up-down/angle). When mounting the Display, confirm the mounting position and mounting dimensions so that it does not obstruct your field of vision or impair driving.

WARNING

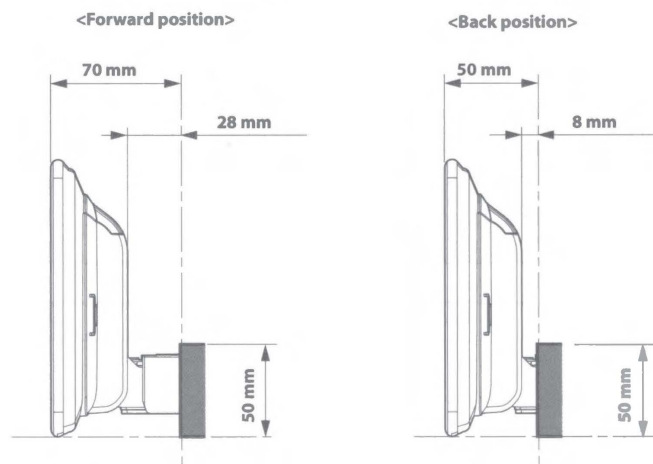
- In the following cases, the display cannot be mounted.
 - It impairs operation of the steering wheel or various levers (gearshift, windshield wiper switch, turn signal switch, etc.)
 - It impairs operation of the airbag
 - It significantly impairs operation of the hazard switch
 - It impairs identification or operation of any other control switches
 - It impairs confirmation of gauges or warning indicators
 - It interferes with vehicle equipment (switches, panels, etc.)
- * Depending on the vehicle, the glove compartment or cup holders may become inaccessible, or air conditioner ventilation ducts may be covered.

■ Display mounting dimensions and adjustable positions

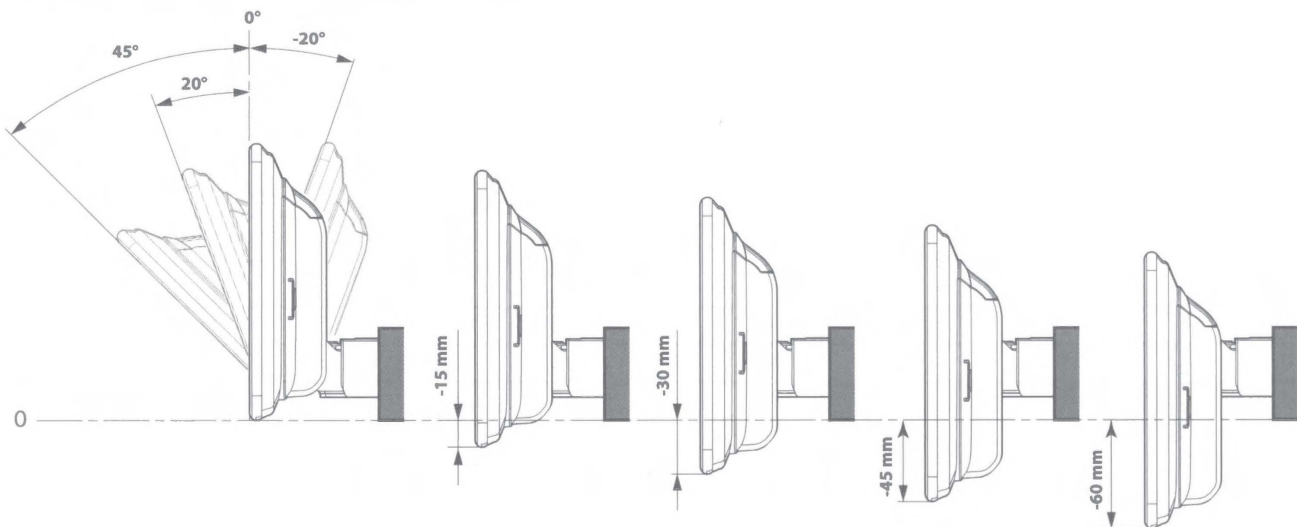
Display unit size



Front-back position



Adjustable Display angle and up-down position



* Depending on the up-down position of the forward and back positions, there are certain positions in which the angle cannot be adjusted. Consult "Mounting Dimensions for Angle Adjustment of the Display" (page 16) for details.

■ Mounting Dimensions for Angle Adjustment of the Display

<Front-back position: forward>

:mm

	Angle: 45°				Angle: 20°				Angle: -20°			
	A	A'	B	B'	A	A'	B	B'	A	A'	B	B'
0	100.8	142.4	-5.3	36.2	134.2	106.7	-5.3	53.4	100.2	80	9.3	5.6
-15 mm					120.1	101.6	-19.4	48.3	86.1	85.1	-4.9	10.7
-30 mm					106	96.4	-33.5	43.1	72	90.3	-18.9	15.8
-45 mm					91.9	91.3	-47.6	38	57.9	95.4	-33	21
-60 mm					77.8	86.2	-61.7	32.9	43.8	100.5	-47.1	26.1

<Front-back position: back>

:mm

	Angle: 45°				Angle: 20°				Angle: -20°			
	A	A'	B	B'	A	A'	B	B'	A	A'	B	B'
0	100.8	122.4	-5.3	16.2	134.2	86.7	-5.3	33.4	100.2	60	9.3	-14.4
-15 mm					120.1	81.6	-19.4	28.3	86.1	65.1	-4.9	-9.3
-30 mm									72	70.3	-18.9	-4.2
-45 mm									57.9	75.4	-33	1
-60 mm									43.8	80.5	-47.1	6.1

* The  parts in the table cannot be adjusted.

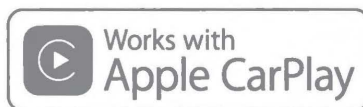


ALPINE HALO9 9-INCH AUDIO/VIDEO RECEIVER iLX-F259

EN

FR

ES



androidauto™

(((SiriusXm)))
READY



QUICK REFERENCE GUIDE
GUIDE DE RÉFÉRENCE RAPIDE
GUÍA DE REFERENCIA RÁPIDA

Please register your product at www.alpine-usa.com/registration to protect your purchase.
Enregistrez-vous sur www.alpine-usa.com/registration pour protéger votre achat.
Registre su producto en la dirección www.alpine-usa.com/registration para proteger su compra.

About the Rules of Bluetooth Electromagnetic Radiation Regulation

USA/Canada	<p>FCC/IC CAUTION</p> <p>This device complies with Industry Canada's licence-exempt RSSs. Operation is subject to the following two conditions:</p> <ol style="list-style-type: none">(1) This device may not cause interference; and(2) This device must accept any interference, including interference that may cause undesired operation of the device. <p>Changes or modifications not expressly approved by the party responsible for compliance could void the user's authority to operate the equipment.</p> <p>This equipment complies with FCC/IC radiation exposure limits set forth for an uncontrolled environment and meets the FCC radio frequency (RF) Exposure Guidelines and RSS-102 of the IC radio frequency (RF) Exposure rules. This equipment has very low levels of RF energy that it deemed to comply without maximum permissive exposure evaluation (MPE). But it is desirable that it should be installed and operated keeping the radiator at least 20 cm or more away from person's body.</p>
	<p>Le présent appareil est conforme aux CNR d'Industrie Canada applicables aux appareils radio exempts de licence.</p> <p>L'exploitation est autorisée aux deux conditions suivantes :</p> <ol style="list-style-type: none">(1) l'appareil ne doit pas produire de brouillage;(2) l'utilisateur de l'appareil doit accepter tout brouillage radioélectrique subi, même si le brouillage est susceptible d'en compromettre le fonctionnement. <p>Cet équipement est conforme aux limites d'exposition aux rayonnements énoncées pour un environnement non contrôlé et respecte les règles les radioélectriques (RF) de la FCC lignes directrices d'exposition et d'exposition aux fréquences radioélectriques (RF) CNR-102 de l'IC. Cet équipement émet une énergie RF très faible qui est considérée conforme sans évaluation de l'exposition maximale autorisée (MPE). Cependant, il est souhaitable qu'il devrait être installé et utilisé en gardant une distance de 20 cm ou plus entre le radiateur et le corps humain.</p>

Contents

WARNING	2
CAUTION	3
Getting Started	4
Apple CarPlay Operation (Optional).....	7
Android Auto™ (Optional).....	7
Radio Operation	8
USB Flash drive Operation (Optional).....	8
SiriusXM Satellite Radio Operation (Optional)	9
iPod mode on iPhone (Optional).....	10
Hands-Free Phone Control	11
Specifications	12

IMPORTANT

Please record the serial number of your unit in the space provided below and keep it as a permanent record.

SERIAL NUMBER: _____

INSTALLATION DATE: _____

INSTALLATION TECHNICIAN: _____

PLACE OF PURCHASE: _____

For details on all functions, refer to the Owner's Manual published on our website at [http:// www.alpine-usa.com](http://www.alpine-usa.com). If required, an ALPINE dealer will readily provide you with a print out of the Owner's Manual published on the website.

WARNING



WARNING

This symbol means important instructions. Failure to heed them can result in serious injury or death.

INSTALL THE PRODUCT CORRECTLY SO THAT THE DRIVER CANNOT WATCH TV/VIDEO UNLESS THE VEHICLE IS STOPPED AND THE EMERGENCY BRAKE IS APPLIED.

It is dangerous for the driver to watch TV/Video while driving a vehicle. Installing this product incorrectly enables the driver to watch TV/Video while driving. This may cause a distraction, preventing the driver from looking ahead, thus causing an accident. The driver or other people could be severely injured.

DO NOT WATCH VIDEO WHILE DRIVING.

Watching the video may distract the driver from looking ahead of the vehicle and cause an accident.

DO NOT OPERATE ANY FUNCTION THAT TAKES YOUR ATTENTION AWAY FROM SAFELY DRIVING YOUR VEHICLE.

Any function that requires your prolonged attention should only be performed after coming to a complete stop. Always stop the vehicle in a safe location before performing these functions. Failure to do so may result in an accident.

KEEP THE VOLUME AT A LEVEL WHERE YOU CAN STILL HEAR OUTSIDE NOISES WHILE DRIVING.

Excessive volume levels that obscure sounds such as emergency vehicle sirens or road warning signals (train crossings, etc.) can be dangerous and may result in an accident. LISTENING AT LOUD VOLUME LEVELS IN A CAR MAY ALSO CAUSE HEARING DAMAGE.

MINIMIZE DISPLAY VIEWING WHILE DRIVING.

Viewing the display may distract the driver from looking ahead of the vehicle and cause an accident.

DO NOT DISASSEMBLE OR ALTER.

Doing so may result in an accident, fire or electric shock.

USE ONLY IN CARS WITH A 12 VOLT NEGATIVE GROUND.

(Check with your dealer if you are not sure.) Failure to do so may result in fire, etc.

KEEP SMALL OBJECTS SUCH AS SCREWS OUT OF THE REACH OF CHILDREN.

Swallowing them may result in serious injury. If swallowed, consult a physician immediately.

USE THE CORRECT AMPERE RATING WHEN REPLACING FUSES.

Failure to do so may result in fire or electric shock.

DO NOT BLOCK VENTS OR RADIATOR PANELS.

Doing so may cause heat to build up inside and may result in fire.

USE THIS PRODUCT FOR MOBILE 12V APPLICATIONS.

Use for other than its designed application may result in fire, electric shock or other injury.

MAKE THE CORRECT CONNECTIONS.

Failure to make the proper connections may result in fire or product damage.

BEFORE WIRING, DISCONNECT THE CABLE FROM THE NEGATIVE BATTERY TERMINAL.

Failure to do so may result in electric shock or injury due to electrical shorts.

DO NOT ALLOW CABLES TO BECOME ENTANGLED IN SURROUNDING OBJECTS.

Arrange wiring and cables in compliance with the manual to prevent obstructions when driving. Cables or wiring that obstruct or hang up on places such as the steering wheel, gear lever, brake pedals, etc. can be extremely hazardous.

DO NOT SPLICE INTO ELECTRICAL CABLES.

Never cut away cable insulation to supply power to other equipment. Doing so will exceed the current carrying capacity of the wire and result in fire or electric shock.

DO NOT DAMAGE PIPE OR WIRING WHEN DRILLING HOLES.

When drilling holes in the chassis for installation, take precautions so as not to contact, damage or obstruct pipes, fuel lines, tanks or electrical wiring. Failure to take such precautions may result in fire.

DO NOT USE BOLTS OR NUTS IN THE BRAKE OR STEERING SYSTEMS TO MAKE GROUND CONNECTIONS.

Bolts or nuts used for the brake or steering systems (or any other safety-related system), or tanks should NEVER be used for installations or ground connections. Using such parts could disable control of the vehicle and cause fire etc.

DO NOT INSTALL IN LOCATIONS WHICH MIGHT HINDER VEHICLE OPERATION, SUCH AS THE STEERING WHEEL OR GEARSHIFT.

Doing so may obstruct forward vision or hamper movement etc. and results in serious accident.



CAUTION

This symbol means important instructions. Failure to heed them can result in injury or material property damage.

HALT USE IMMEDIATELY IF A PROBLEM APPEARS.

Failure to do so may cause personal injury or damage to the product. Return it to your authorized Alpine dealer or the nearest Alpine Service Center for repairing.

HAVE THE WIRING AND INSTALLATION DONE BY EXPERTS.

The wiring and installation of this unit requires special technical skill and experience. To ensure safety, always contact the dealer where you purchased this product to have the work done.

USE SPECIFIED ACCESSORY PARTS AND INSTALL THEM SECURELY.

Be sure to use only the specified accessory parts. Use of other than designated parts may damage this unit internally or may not securely install the unit in place. This may cause parts to become loose resulting in hazards or product failure.

ARRANGE THE WIRING SO IT IS NOT CRIMPED OR PINCHED BY A SHARP METAL EDGE.

Route the cables and wiring away from moving parts (like the seat rails) or sharp or pointed edges. This will prevent crimping and damage to the wiring. If wiring passes through a hole in metal, use a rubber grommet to prevent the wire's insulation from being cut by the metal edge of the hole.

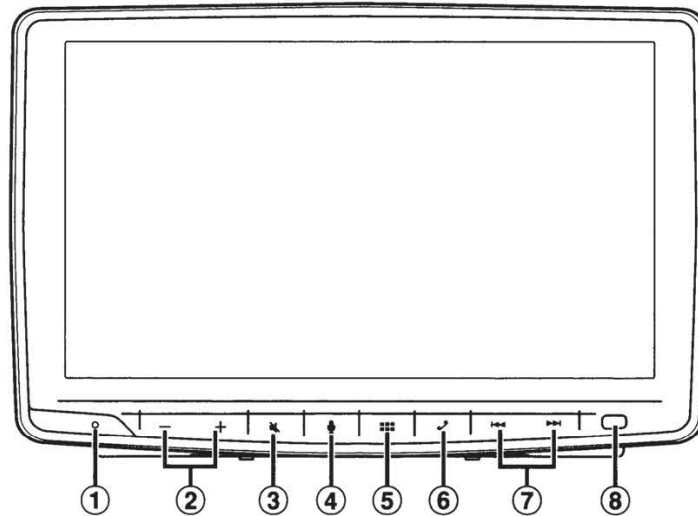
DO NOT INSTALL IN LOCATIONS WITH HIGH MOISTURE OR DUST.

Avoid installing the unit in locations with high incidence of moisture or dust. Moisture or dust that penetrates into this unit may result in product failure.

Getting Started

Controls Position

The screen design used in the Quick Reference Guide may differ from the actual screen.



① **RESET switch**

The system will be reset.

② **- / + (DOWN/UP) button**

Touch to adjust the volume.

③ **(MUTE) button**

Touch to activate/deactivate the mute mode.

④ **button**

Depending on the connected smartphone, touch to activate Siri function or voice recognition mode.

⑤ **(HOME) button**

Activates the HOME screen.

⑥ **(Phone) button**

Activates the Phone Menu screen.

During an incoming call:

The phone call is started.

During a call:

The call finishes.

⑦ **button**

Touch to seek down/up stations in radio mode or down/up a track, chapter, etc., in other audio/visual sources.

⑧ **Dimmer Sensor**

Sense the brightness of the car interior.

Turning Power On or Off

1 Turn the ignition key to the ACC or ON position.

The system is turned on.

- When using the system for the first time, the Radio main screen is displayed.

About the HOME Screen

Select a widget on the HOME screen to perform various settings and operations of the function.

1 Touch the (HOME) button.

The HOME screen is displayed.

■ HOME screen example



Widget
Touch to activate the function.

HOME screen navigation
Swipe the HOME screen horizontally with your finger to change the page. Up to 3 pages exist.

Editing the HOME screen

You can customise widgets displayed on the HOME screen.

1 Touch and hold the HOME screen.

The widgets editing screen is displayed.



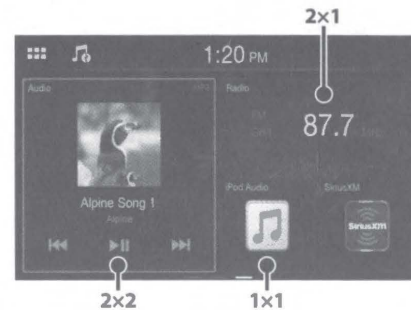
HOME screen image

Additional candidate widgets

Add your desired widget to the HOME screen.

Swipe this area horizontally to show more candidate widgets.

- There are 3 sizes of widgets.



Adding a widget:

Drag and drop a widget from the additional candidate widgets area to the desired position of the HOME screen image area.

Changing the order of widget:

Drag and drop the widget to the desired position.

Deleting a widget from the HOME screen:

Drag and drop a widget from the HOME screen image area to the  icon.

- The  icon is displayed while touching a widget.

2 Touch the (HOME) button.

The HOME screen is displayed.

Apple CarPlay Operation (Optional)

Apple CarPlay is a smarter, safer way to use your iPhone in the car. Apple CarPlay takes the things you want to do with your iPhone while driving and puts them right on this unit. You can get directions, make calls, send and receive messages, and listen to music, all in a way that allows you to stay focused on the road. Just plug in your iPhone to this unit and go.

1 Touch the (HOME) button.

The HOME screen is displayed.

2 Touch [Apple CarPlay].

The Apple CarPlay screen is displayed.

- Refer to "Apple CarPlay" in the Owner's Manual for information on how to operate Apple CarPlay.

Android Auto™ (Optional)

Android Auto is designed to make it easier to use apps from your phone while you're on the road. Navigate with Google Maps, listen to playlists or podcasts from your favorite apps, send messages via voice, and more. Download the Android Auto App from the Google Play store before continuing.

1 Touch the (HOME) button.

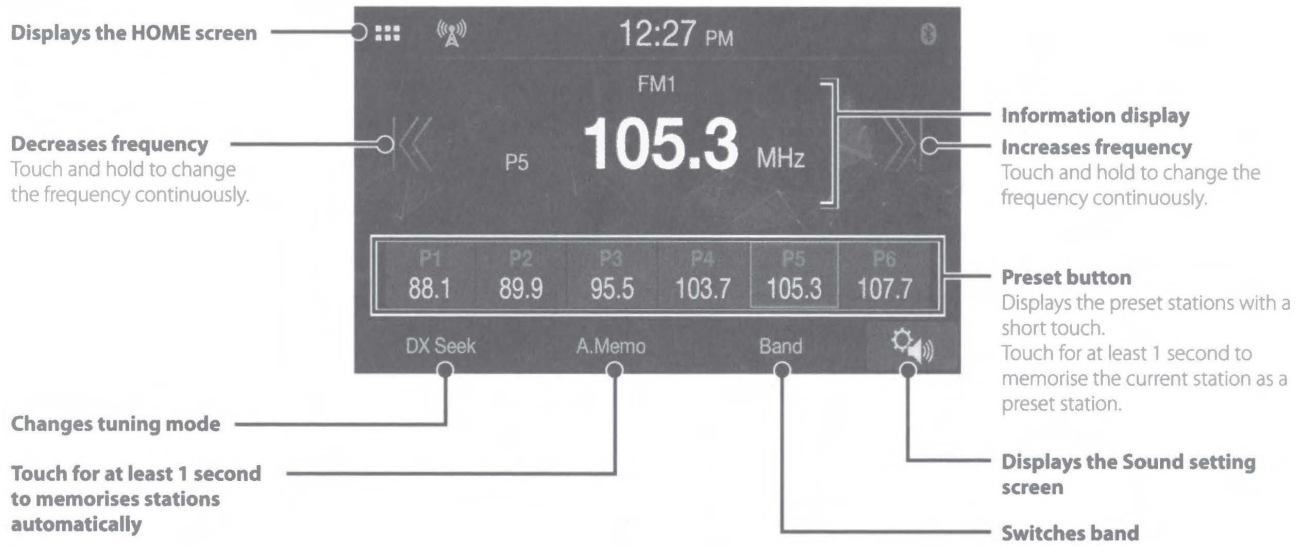
The HOME screen is displayed.

2 Touch [Android Auto].

The Android Auto screen is displayed.

- Refer to "Android Auto" in the Owner's Manual for information on how to operate Android Auto.

Radio Operation

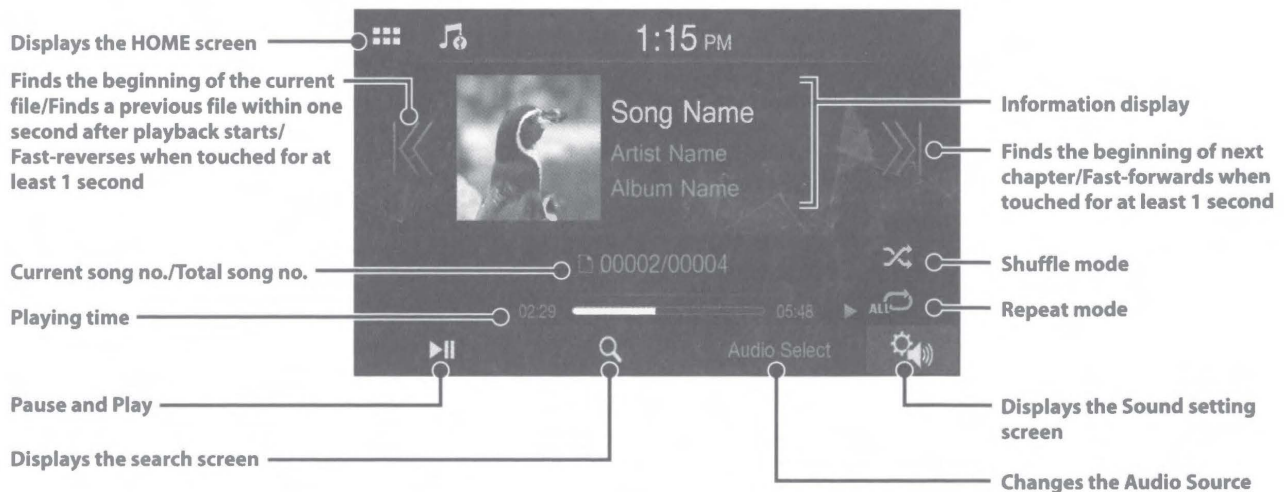


- The patterns of some keys in the Quick Reference Guide may differ from the actual screen.

USB Flash drive Operation (Optional)

You can playback music files (MP3/WMA/AAC/FLAC/WAV) and video files (MP4/AVI/WMV/MOV) stored in a USB flash drive on the internal player of this system.

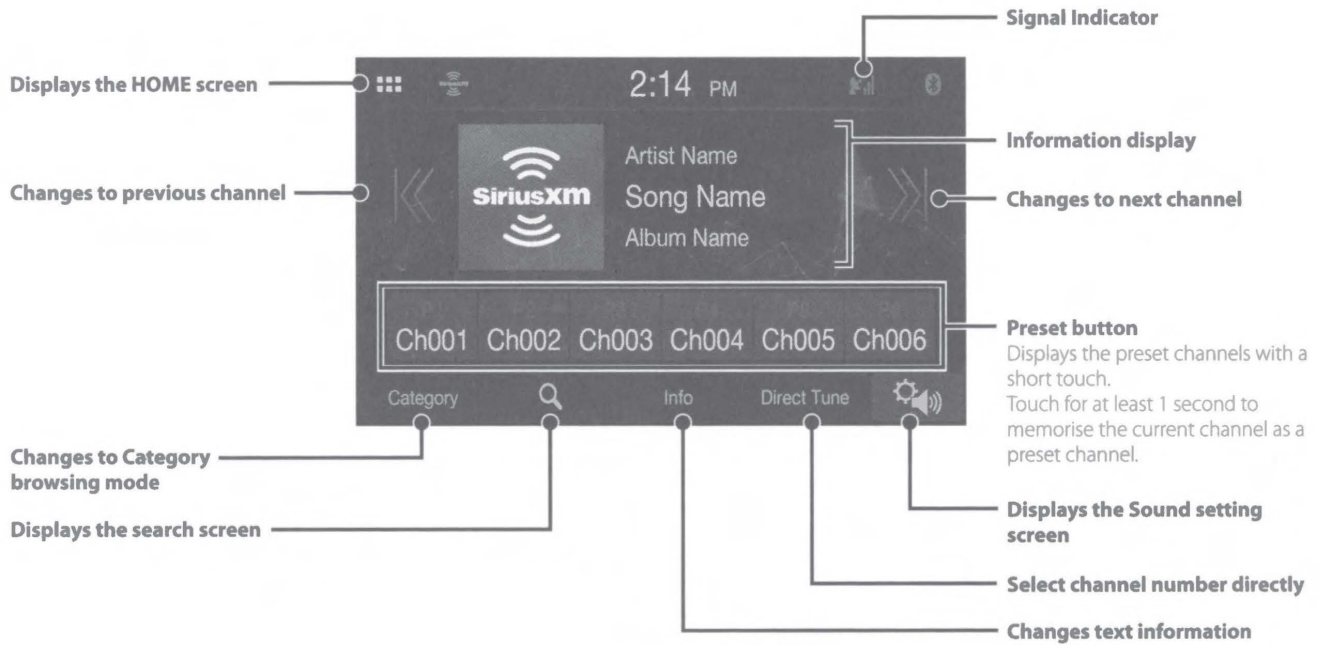
USB Audio main screen example



- The patterns of some keys in the Quick Reference Guide may differ from the actual screen.

SiriusXM Satellite Radio Operation (Optional)

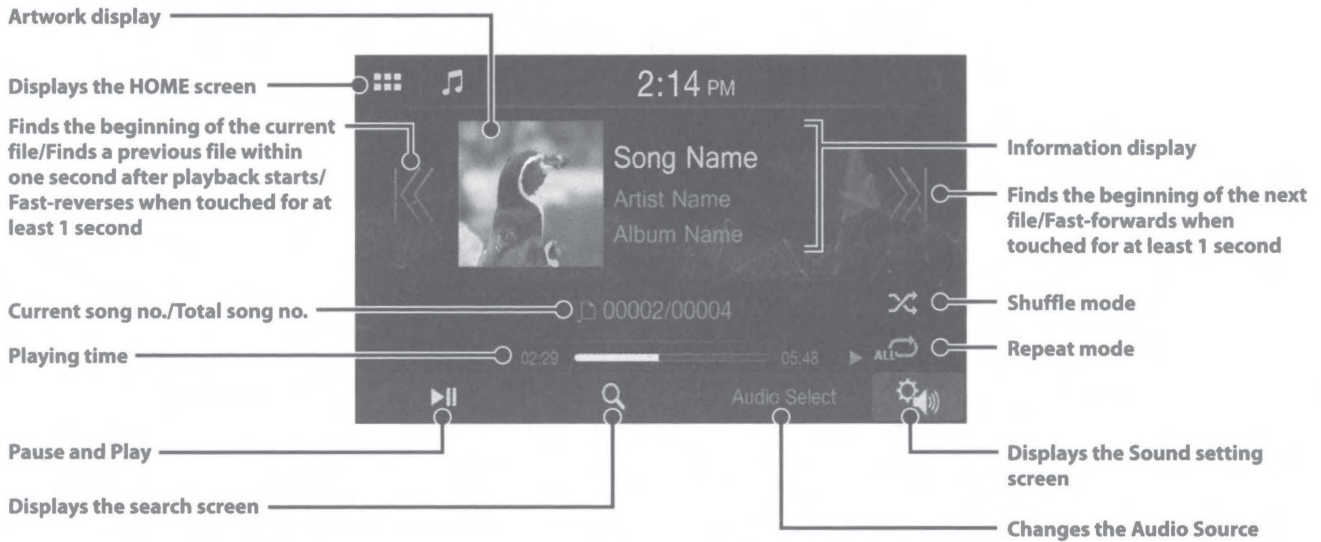
When an optional SiriusXM Tuner is connected to this unit, the following operations may be performed.



- The patterns of some keys in the Quick Reference Guide may differ from the actual screen.

iPod mode on iPhone (Optional)

A separately sold Lightning to USB cable (KCU-471i) is required depending on the type of iPhone.



- This unit supports iPhone (iPhone 5s or later) only. For using music playback only, set the "Apple CarPlay" setting to "Off" before connecting with your iPhone.
- The patterns of some keys in the Quick Reference Guide may differ from the actual screen.

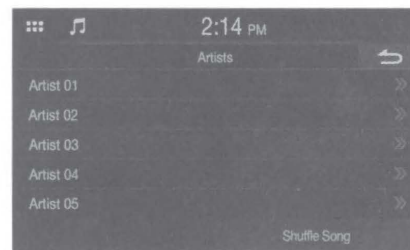
Searching for a Music File

For example: Searching by Artist name

- 1 Touch [Q (Search)] during playback.
- 2 Touch [Artists].



- 3 Touch the desired artist's name.



- 4 Touch the desired album's name.
- 5 Touch the desired song's name.
The selected song is played back.

Hands-Free Phone Control

The unit can connect with up to two hands-free phones.

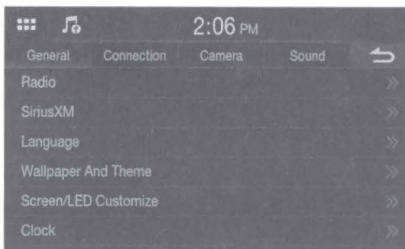
How to connect to a Bluetooth compatible device (Pairing)

To display the Setup HOME screen:

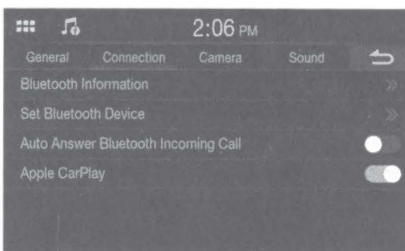
1. Bring your vehicle to a complete stop at a safe location. Engage the parking brake.
2. Release the parking brake. (For safety, release the parking brake while depressing the foot brake pedal).
3. Engage the parking brake again.
 - For automatic transmission vehicles, place the transmission lever in the Park position.

1 Touch [Settings] on the HOME screen.

2 Touch [Connection].



3 Touch [Set Bluetooth Device] to search for a new device.



4 The device registration is complete.



- You can register up to 5 Bluetooth compatible mobile phones.
- The Bluetooth registration process differs depending on the device version and SSP (Simple Secure Pairing). If a 4 or 6 character Passcode appears on this device, enter the Passcode using the Bluetooth compatible device. If a 6 character Passkey appears on this device, make sure the same passkey is displayed on the Bluetooth compatible device and touch "Yes."

Answering a Call

1 An incoming call triggers the ringtone and an incoming call display.



2 Touch [Answer].

The call starts.



Hanging up the Telephone

1 Touch [End Call].

The call finishes.

Specifications

MONITOR SECTION

Screen Size	9"
LCD Type	Transparent type TN LCD
Operation System	TFT active matrix
Number of Picture Elements	1,152,000 pcs. (800 × 480 × 3 (RGB))
Effective Number of Picture Elements	99% or more
Illumination System	LED

FM TUNER SECTION

Tuning Range	87.7 – 107.9 MHz
Mono Usable Sensitivity	9.3 dBf (0.8 μ V/75 ohms)
50 dB Quieting Sensitivity	13.5 dBf (1.3 μ V/75 ohms)
Alternate Channel Selectivity	80 dB
Signal-to-Noise Ratio	65 dB
Stereo Separation	35 dB
Capture Ratio	2.0 dB

AM TUNER SECTION

Tuning Range	530 – 1,710 kHz
Usable Sensitivity	25.1 μ V/28 dBf

USB SECTION

USB requirements	USB 2.0
Max. Power Consumption	1,500 mA (CDP Support)
USB Class	USB (Play From Device)/ USB (Mass Storage Class)
File System	FAT16/32
Number of Channels	2-Channels (Stereo)
Frequency Response*1	5 – 20,000 Hz (\pm 1 dB)
Total Harmonic Distortion	0.008% (at 1 kHz)
Dynamic Range	95 dB (at 1 kHz)
Signal-to-Noise Ratio	100 dB
Channel Separation	85 dB (at 1 kHz)

*1 Frequency response may differ depending on the encoder software/bit rate.

Bluetooth SECTION

Bluetooth Specification	Bluetooth V4.1
Output Power Profile	+4 dBm Ave. (Power class 2) HFP (Hands-Free Profile) PBAP (Phone Book Access Profile) A2DP (Advanced Audio Distribution Profile) AVRCP (Audio/Video Remote Control Profile)

GENERAL

Power Requirement	14.4 V DC (11–16 V allowable)
Operating temperature	-4°F to +140°F (-20°C to +60°C)
Power Output	16 W RMS × 4 *2

*2 Primary amplifier ratings per CEA-2006 Standard

- Power output: measured at 4 Ohms and \leq 1% THD+N
- S/N: 80 dBA (reference: 1 W into 4 Ohms)

Weight	2.56 kg (5 lbs. 10 oz)
Audio output level	
Preout (Front, Rear):	4V/10k ohms (max.)
Preout (Subwoofer):	4V/10k ohms (max.)

CHASSIS SIZE

Width	178 mm (7")
Height	50 mm (2")
Depth	160 mm (6-5/16")

- Due to continuous product improvement, specifications and design are subject to change without notice.
- The LCD panel is manufactured using an extremely high precision manufacturing technology. Its effective pixel ratio is over 99.99%. This means that there is a possibility that 0.01% of the pixels could be either always ON or OFF.

- Windows Media and the Windows logo are trademarks, or registered trademarks of Microsoft Corporation in the United States and/or other countries.
- Apple, iPhone, and Siri are trademarks of Apple Inc., registered in the U.S. and other countries. Apple CarPlay is a trademark of Apple Inc.
- Use of the Made for Apple and Works with Apple badges means that an accessory has been designed to connect specifically to the Apple product(s) identified in the Made for Apple badge and to work specifically with the technology identified in the Works with Apple badge, and has been certified by the developer to meet Apple performance standards. Apple is not responsible for the operation of this device or its compliance with safety and regulatory standards.
- Please note that the use of this accessory with an Apple product may affect wireless performance.
- Use of the Apple CarPlay logo means that a vehicle user interface meets Apple performance standards. Apple is not responsible for the operation of this vehicle or its compliance with safety and regulatory standards. Please note that the use of this product with iPhone may affect wireless performance.
- Sirius, XM and all related marks and logos are trademarks of Sirius XM Radio Inc. All rights reserved.
- Google, Android, Android Auto, Google Play and other marks are trademarks of Google LLC.
- The Bluetooth® word mark and logos are registered trademarks owned by the Bluetooth SIG, Inc. and any use of such marks by Alpine Electronics, Inc. is under license.
- MPEG Layer-3 audio coding technology licensed from Fraunhofer IIS and Thomson. Supply of this product only conveys a license for private, non-commercial use and does not convey a license nor imply any right to use this product in any commercial (i.e. revenue-generation) real time broadcasting (terrestrial, satellite, cable and/or any other media), broadcasting/streaming via internet, intranets and/or other networks or in other electronic content distribution systems, such as pay-audio or audio-on-demand applications. An independent license for such use is required. For details, please visit <http://www.mp3licensing.com>





ALPINE ELECTRONICS MARKETING, INC.

1-7, Yukigaya-Otsukamachi, Ota-ku,
Tokyo 145-0067, JAPAN
Phone: 03-5499-4531

ALPINE ELECTRONICS OF AMERICA, INC.

1500 Atlantic Blvd,
Auburn Hills, Michigan 48326, U.S.A.
Phone 1-800-ALPINE-1 (1-800-257-4631)

ALPINE ELECTRONICS OF AUSTRALIA PTY. LIMITED

161-165 Princes Highway,
Hallam Victoria 3803, Australia
Phone 03-8787-1200

ALPINE ELECTRONICS GmbH

Ohmstraße 4
85716 Unterschleißheim, Germany
Phone: 089-32 42 640

ALPINE ELECTRONICS OF U.K., LTD.

Alpine House Fletchamstead Highway,
Coventry CV4 9TW, U.K.
www.alpine.co.uk

ALPINE ELECTRONICS FRANCE S.A.R.L.

184 allée des Erables
CS 52016 – Villepinte
95 945 Roissy CDG cedex
FRANCE

Phone : + 33(0)1 48 63 89 89

ALPINE ITALIA S.p.A.

Viale Cristoforo Colombo, 8
20090 Trezzano sul Naviglio MI, Italy
Phone +39 02 484781

ALPINE ELECTRONICS DE ESPAÑA, S.A.

Portal de Gamarra 36, Pabellón, 32
01013 Vitoria (Alava)-APDO 133, Spain
Phone 945-283588

Take a moment to protect your purchase by registering your product now at www.alpine-usa.com/registration. You will also be updated on product information, special promotions, Alpine news.

Prenez le temps de protéger votre achat en enregistrant votre produit sur www.alpine-usa.com/registration. Vous recevrez en outre des mises à jours sur des informations de produits, des offres promotionnelles et des nouvelles concernant Alpine.

Le recomendamos que proteja su adquisición registrando su producto lo antes posible en la dirección www.alpine-usa.com/registration. Asimismo, recibirá información sobre productos, promociones especiales y noticias de Alpine.





Thank you for choosing Alpine for your car audio equipment needs. Our goal is to produce the best audio/video/navigation products in the world and hope your expectations are met.

Please take a moment to protect your purchase by registering your product now at the following address: www.alpine-usa.com/registration. You will be informed of product and software updates (if applicable), special promotions, and news about Alpine. Also, by registering your product, you will automatically be entered for a chance to win various prizes such as gift cards, Alpine products, and/or a complete system.

We look forward to continue serving you in the future.

Sincerely,

The Alpine Team

French

Nous vous remercions d'avoir porté votre choix sur un équipement audio automobile Alpine. Notre principal objectif est de fabriquer les meilleurs produits audio, vidéo et de navigation au monde afin de répondre aux exigences de nos clients.

Veuillez prendre quelques instants pour sécuriser votre achat en enregistrant votre produit à l'adresse suivante : www.alpine-usa.com/registration. Vous serez tenu informé des nouveaux produits, des mises à jour logicielles (le cas échéant), des promotions spéciales et des informations concernant Alpine. L'enregistrement de votre produit vous donne par ailleurs la possibilité de gagner des dizaines de cadeaux, tels que chèques-cadeaux et articles Alpine, ainsi qu'un système complet.

Nous espérons que nos produits vous donneront entièrement satisfaction.

Cordialement,

L'équipe Alpine

Spanish

Gracias por elegir Alpine para las necesidades de equipamiento de audio de su vehículo. Nuestro objetivo es fabricar los mejores productos de audio/video/navegación del mundo y esperamos poder cumplir sus expectativas.

Dedique unos momentos a proteger su compra: registre ahora su producto en la siguiente dirección: www.alpine-usa.com/registration. Recibirá información de novedades sobre el producto y actualizaciones de software (si se producen), promociones especiales y noticias de última hora de Alpine. Asimismo, si registra su producto, entrará automáticamente en el sorteo de diversos premios, como tarjetas de regalo, productos de Alpine y/o un sistema completo.

Esperamos poder seguir ofreciéndole el mejor servicio en el futuro.

Atentamente,

El equipo de Alpine



M3544245010

PART NO. 68-21627Z36-A
M3544245010