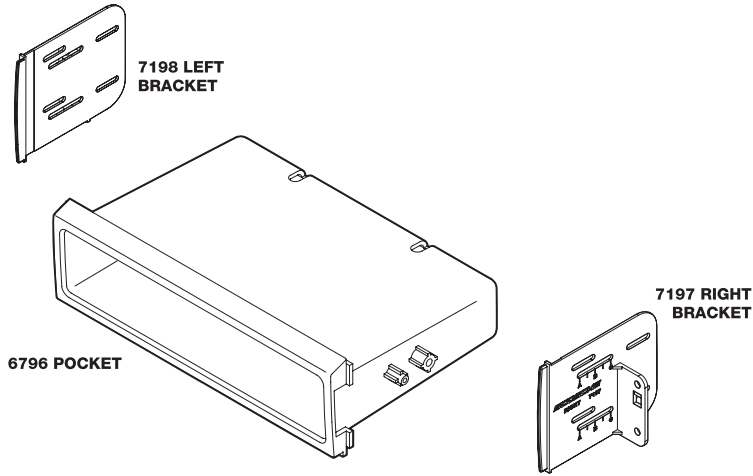


**IN-DASH STEREO INSTALLATION KIT FOR  
2011 NISSAN QUEST  
(NON-NAVIGATION MODELS ONLY)**



**INTRODUCTION / PRELIMINARY**

This premium installation kit is for 2011 Nissan Quest vehicles. Included are all the parts you need to mount your car stereo or CD player into your vehicle's dash. Refer to the individual instruction in this manual to remove your vehicle's factory radio and assemble the kit.

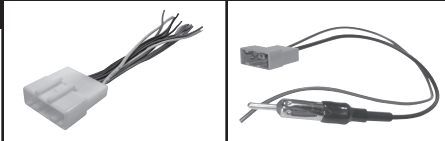
**CAUTION**  
DISCONNECT YOUR VEHICLE'S NEGATIVE BATTERY TERMINAL BEFORE THE INSTALLATION TO HELP PREVENT ELECTRICAL DAMAGE. WE RECOMMEND THE USE OF A VOLT/OHM METER OVER A TEST LIGHT TO CHECK WIRING. A TEST LIGHT OR GROUNDED WIRE PROBE CAN CAUSE DAMAGE TO THE VEHICLE'S COMPUTER AND/OR DIAGNOSTIC SYSTEMS. AVOID ALL FACTORY AIRBAG WIRING - AIRBAGS CAN ACCIDENTALLY DEPLOY CAUSING SERIOUS INJURY OR DEATH.

- NOTES**
- See your vehicle's instructions for any special tools your installation might require.
  - Read all instructions accompanying your car stereo and mounting instructions.

**FACTORY WIRING CODES**

For Factory Wiring Codes go to: [www.scosche-cars.com](http://www.scosche-cars.com)

CAR STEREO CONNECTORS	
PROVIDE EASY CONNECTION OF YOUR CAR STEREO TO FACTORY WIRING HARNESS.	
<b>NNO4B</b> 2007-up Nissan Versa	<b>NAA2B</b> 2007-up Nissan Versa Antenna Adapter



**LIABILITY DISCLAIMER**

This instruction booklet is based on carefully documented data and research of automobile dash disassembly, wire harness/codes and information pertaining to installation of this kit (NN1669B) in 2011 Nissan Quest vehicles. Scosche Industries, Inc. can not be held responsible for discrepancies/inconsistencies that may occur due to the automobile manufacturing changes or options, or damage that may occur in the automobile during the installation of components while using this booklet.

If you have any further questions, call our toll free technical help line at: **1-800-621-3695x3**

**FACTORY STEREO REMOVAL**

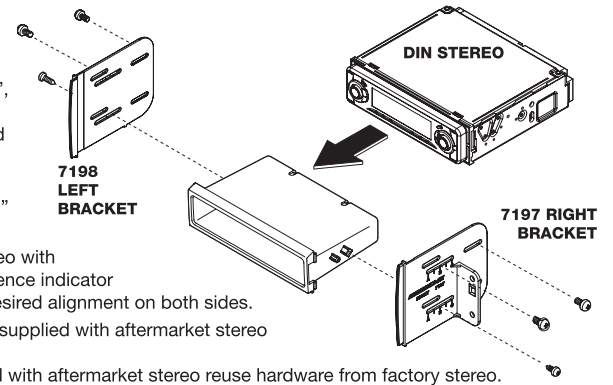
**2011 NISSAN QUEST**

1. Open passenger door. Using a panel removal tool, unclip and remove triangle-shaped side dash panel that is exposed when door is open.
2. Using a Phillips head screwdriver, extract (1) screw that is now exposed securing the large trim bezel above the glove-box.
3. Using a panel removal tool, unclip the trim bezel above glove-box (starting from passenger side and moving towards the radio) and remove.
4. Using a panel removal tool, unclip and remove both lower center dash side-panels.
5. Using a panel removal tool, extract (4) plastic snap rivets holding the center dash lower front bezel in place. (First pop center pin up; then remove entire rivet) Disconnect wiring, and remove panel.
6. Using a panel removal tool, Unclip and remove entire panel underneath steering column.
7. Using a panel removal tool, remove hazard light trim bezel from left side or shifter. Disconnect wiring and remove.
8. Using a Phillips head screwdriver, remove the (4) screws securing the trim around the shifter and HVAC controls and remove.
9. Using a Phillips head screwdriver, remove the (2) screws securing the bottom portion of bezel surrounding the radio.
10. Using a panel removal tool, unclip bezel surrounding the radio, and remove.
11. Using a Phillips head screwdriver, remove the (4) screws securing radio to the dash. Disconnect wiring and remove.

**MOUNTING THE STEREO**

**DIN-ISO MOUNT**

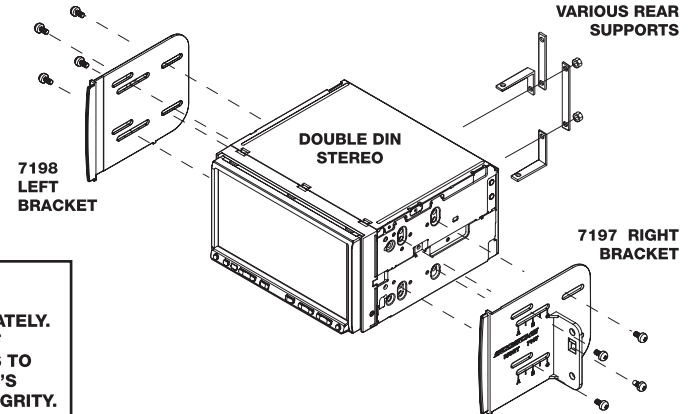
1. Align 7197 (right) & 7198 (left) brackets to appropriate sides of 6796 pocket with the bottom "A", "B" & "C" slots. The front peg of pocket should rest as far forward in the slot as possible.
2. Secure pocket, using supplied screws, in the post above the "B" markings.
3. Align aftermarket single-din stereo with top hole pattern of kit. Use reference indicator lines "A", "B", & "C" to match desired alignment on both sides.
4. Mount brackets using hardware supplied with aftermarket stereo and bolt/secure in place.



**Note:** If hardware is not supplied with aftermarket stereo reuse hardware from factory stereo.

**DOUBLE DIN-ISO MOUNT**

1. Align 7197 (right) & 7198 (left) brackets to appropriate sides of aftermarket double-din stereo. Use reference indicator lines "A", "B", & "C" to match desired alignment on both sides.
2. Mount brackets using hardware supplied with aftermarket stereo and bolt/secure in place.



**NOTE:**  
REAR SUPPORT AVAILABLE SEPARATELY. REAR SUPPORT OF THE STEREO ADDS TO THE INSTALLATION'S STRUCTURAL INTEGRITY.