

POCKET ASSEMBLY

NOTE:

Keep all hardware from A/C controls and pocket to be used to reattach to kit panel.

A. ATTACHING A/C CONTROLS

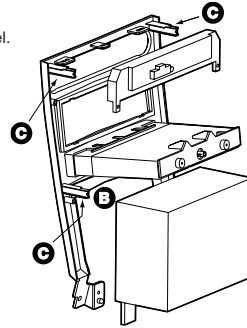
Reattach the A/C controls to the kit panel using existing hardware.

B. ATTACHING POCKET

Reattach factory pocket to kit panel using existing hardware.

C. ATTACHING CLIPS

Carefully remove spring clips from dash panel and reattach to kit panel.

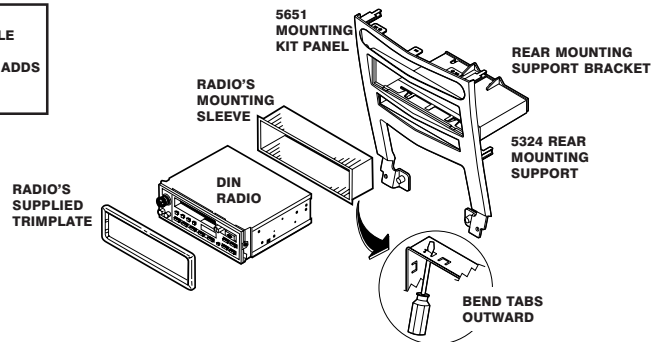


RADIO REMOVAL

1. Unscrew the shifter knob.
2. Using a panel removal tool, pop out the shifter panel. Disconnect and remove.
3. Remove two (2) screws from under this panel.
4. Using a panel removal tool, pop out the CD player panel from bottom to top. Disconnect and remove.
5. Remove six (6) screws from behind this panel.
6. Using a panel removal tool, pop the navigation screen panel. Disconnect and remove.
7. Remove two (2) screws from the radio. Disconnect and remove

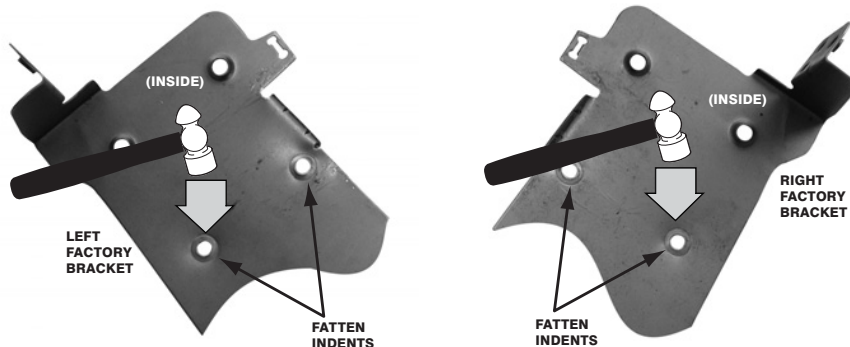
MOUNTING THE RADIO

NOTE:
REAR SUPPORT AVAILABLE SEPARATELY. REAR SUPPORTING THE RADIO ADDS TO THE INSTALLATIONS STRUCTURAL INTEGRITY.



NOTE: Nissan factory bracket modification.

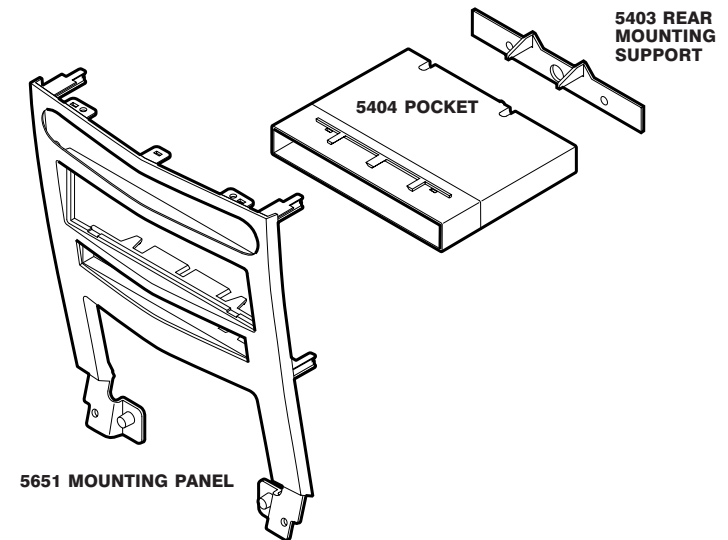
The factory Maxima brackets must be slightly modified to allow proper clearance for the DIN radio mounting sleeve. The factory radio bolt "indents" on the inside of the factory bracket must be flattened out in order to provide clearance for the DIN radio's mounting sleeve. Use a hammer or blunt object to flatten out (2) indents on each bracket. (See Illustration)



SCOSCHE®

NN1498B

IN-DASH INSTALLATION KIT FOR SELECT 2004 NISSAN MAXIMA



WIRE CODES

For Factory Wiring Codes go to: www.scosche-cars.com

INTRODUCTION

This premium installation kit is for 2004 Nissan Maxima vehicles. Included are all the parts you need to mount your car stereo, cassette, or CD player into your vehicle's dash. Refer to the individual instruction in this manual to remove your vehicle's factory radio and assemble the kit.

CAUTION:

DISCONNECT YOUR VEHICLE'S NEGATIVE BATTERY TERMINAL BEFORE THE INSTALLATION TO HELP PREVENT ELECTRICAL DAMAGE. WE RECOMMEND THE USE OF A VOLT/OHM METER OVER A TEST LIGHT TO CHECK WIRING. A TEST LIGHT OR GROUNDING WIRE PROBE CAN CAUSE DAMAGE TO THE VEHICLE'S COMPUTER AND/OR DIAGNOSTIC SYSTEMS. AVOID ALL FACTORY AIRBAG WIRING - AIRBAGS CAN ACCIDENTALLY DEPLOY CAUSING SERIOUS INJURY OR DEATH.

NOTES:

- See your vehicle's instructions for any special tools your installation might require.
- Read all instructions accompanying your car stereo/cassette player for proper wiring and mounting instructions.

LIABILITY DISCLAIMER

This instruction booklet is based on carefully documented data and research of automobile dash disassembly, wire harness/codes and information pertaining to installation of this kit in the listed vehicles. Manufacturer cannot be held responsible for discrepancies/inconsistencies that may occur due to the automobile manufacturing changes or options, or damage that may occur in the automobile during the installation of components while using this booklet.

If you have any further questions call:

TECH HELP 1-800-621-3695x3

© 2005 SCOSCHE INDUSTRIES, INC.

SI 7/05 - NN1498 (3000003)