

INSTALLATION GUIDE

Assembly

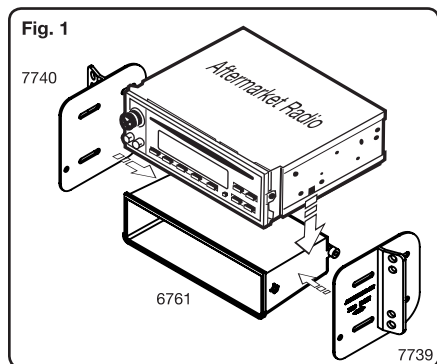
Step 10 Kit Assembly

Single Din (Slim) Radios

Mount 7739 and 7740 (brackets) to 6761 (pocket) **Fig 1**.

Next mount and attach the aftermarket single DIN radio unit onto assembly **Fig 1**.

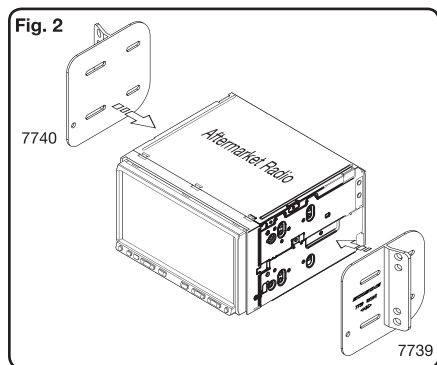
Mount the single DIN (Slim) radio assembly into the vehicle radio dash cavity (not shown in figures).



Double Din (Full-Size) Radios

Mount 7739 and 7740 (brackets) to aftermarket radio **Fig 2**.

Mount the double DIN assembly into the vehicles radio dash cavity (not shown in figures).



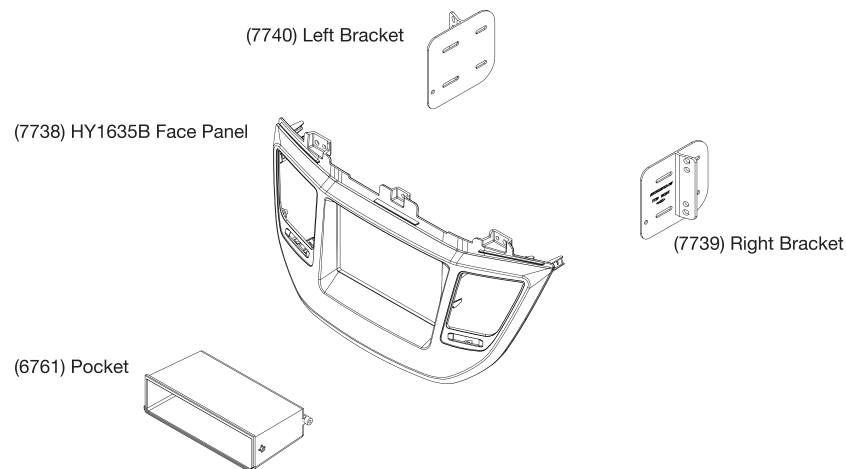
Step 11 Kit Assembly

Reinstall everything in reverse order of the disassembly with the newly assembled HY1635B face panel to complete the installation.



HY1635B

IN-DASH INSTALLATION KIT FOR 2016-UP HYUNDAI TUCSON VEHICLES



Tools Required:

- PRT (Panel Removal Tool)
- Screwdriver

INTRODUCTION/PRELIMINARY

This premium installation kit is for 2016-UP Hyundai Tucson vehicles with base model radio (dash modification required). Included are all the parts you need to mount your car stereo or CD player into your vehicle's dash. Refer to individual instruction in this manual to remove your vehicles factory radio and assemble the kit.

CAUTION: DISCONNECT YOUR VEHICLE NEGATIVE BATTERY TERMINAL BEFORE THE INSTALLATION TO HELP PREVENT ELECTRICAL DAMAGE. WE RECOMMEND THE USE OF A VOLT/OHM METER OVER A TEST LIGHT TO CHECK WIRING. A TEST LIGHT OR GROUNDED WIRE PROBE CAN CAUSE DAMAGE TO THE VEHICLE'S COMPUTER AND/OR DIAGNOSTIC SYSTEMS. AVOID ALL FACTORY AIRBAG WIRING - AIRBAGS CAN ACCIDENTALLY DEPLOY CAUSING SERIOUS INJURY OR DEATH.

NOTES

- See your vehicle's instructions for any special tools your installation might require.
- Read all instructions accompanying your car stereo for proper wiring and mounting instructions.



IMPORTANT!

DO NOT RETURN PRODUCT TO THE RETAILER
IF YOU NEED ASSISTANCE OR REPLACEMENT PARTS CALL US TOLL FREE: 1800-621-3695 X3
HOURS: MON-FRI 8AM-5:30PM (PST) SATURDAY 8AM-2PM (PST)

LIABILITY DISCLAIMER

This instruction booklet is based on carefully documented data and research of automobile disassembly, wire harness/codes and information pertaining to the installation of this kit. Scosche Industries, Inc. cannot be held responsible for discrepancies/inconsistencies that may occur due to the automobile manufacturing changes or options, or damage that may occur in the automobile during the installation of components while using this booklet.

If you have any further questions, call our toll free technical help line at: **1-800-621-3695x3**

If you have any further questions, call our toll free technical help line at: **1-800-621-3695x3**

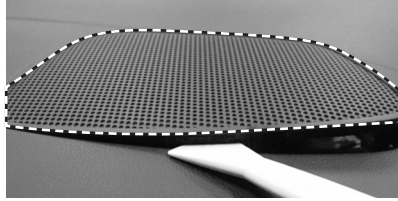
INSTALLATION GUIDE

Disassembly

Step 1

Disassembly

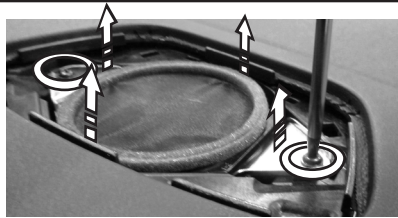
Using PRT (Panel Removal Tool) remove the speaker plate located on top of the dashboard.



Step 2

Disassembly

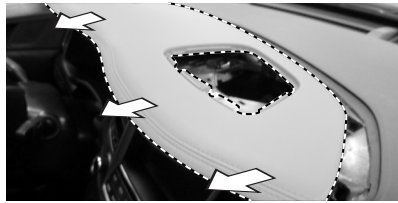
Remove the two screws securing the speakers to the dash, then remove and unplug the speakers from location



Step 3

Disassembly

Using PRT unclip the perimeter of the top dash and remove



Step 4

Disassembly

Remove the three screws revealed from step 3. (One above each left and right vent and one above OEM radio unit).



Step 5

Disassembly

Using a PRT remove the panel surrounding the radio unit.



INSTALLATION GUIDE

Disassembly

Step 6

Disassembly

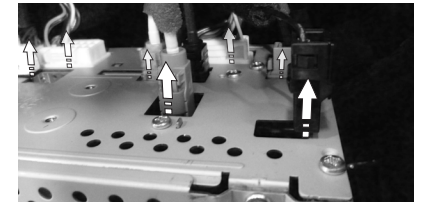
Unscrew the (4) screws securing the radio to the dash.



Step 7

Disassembly

Unplug and remove all wiring



INSTALLATION GUIDE

Kit Assembly

Step 8

Kit Assembly/Preparation

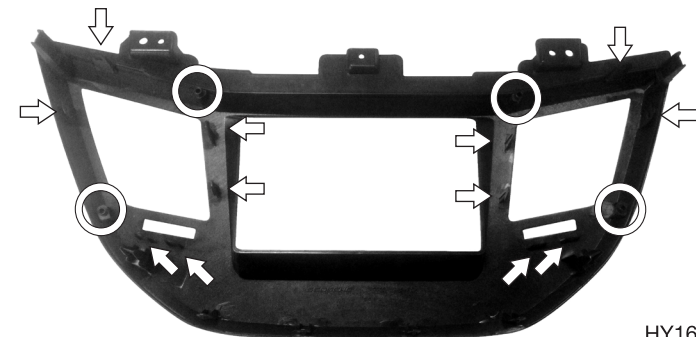
Unscrew and unclip both vents from the back of the OEM vent dash panel and retain for later use.



Step 9

Kit Assembly/Preparation

Clip and screw vents retained from previous step onto the back of the HY1635B. (Clipping points indicated by arrows and screw points indicated by circles)



HY1635B