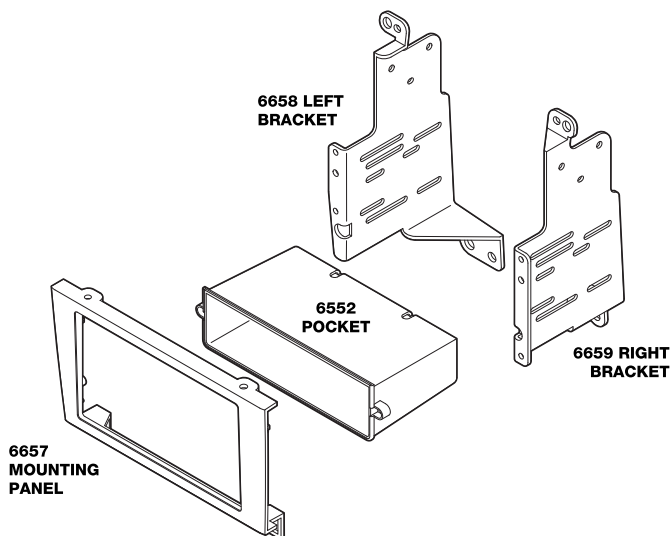


**IN-DASH INSTALLATION KIT FOR  
1993-97 LEXUS GS VEHICLES**



**INTRODUCTION / PRELIMINARY**

This premium installation kit is for 1993-97 Lexus GS vehicles. Included are all the parts you need to mount your car stereo or CD player into your vehicle's dash. Refer to the individual instruction in this manual to remove your vehicle's factory radio and assemble the kit.

**CAUTION**  
DISCONNECT YOUR VEHICLE'S NEGATIVE BATTERY TERMINAL BEFORE THE INSTALLATION TO HELP PREVENT ELECTRICAL DAMAGE. WE RECOMMEND THE USE OF A VOLT/OHM METER OVER A TEST LIGHT TO CHECK WIRING. A TEST LIGHT OR GROUNDED WIRE PROBE CAN CAUSE DAMAGE TO THE VEHICLE'S COMPUTER AND/OR DIAGNOSTIC SYSTEMS. AVOID ALL FACTORY AIRBAG WIRING - AIRBAGS CAN ACCIDENTALLY DEPLOY CAUSING SERIOUS INJURY OR DEATH.

- NOTES**
- See your vehicle's instructions for any special tools your installation might require.
  - Read all instructions accompanying your car stereo for proper wiring and mounting instructions.

**FACTORY WIRING CODES**

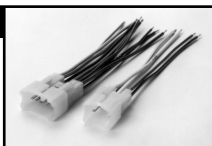
For Factory Wiring Codes go to: [www.scosche-cars.com](http://www.scosche-cars.com)

**CAR STEREO CONNECTORS**

PROVIDE EASY CONNECTION OF YOUR CAR STEREO TO FACTORY WIRING HARNESS.

**TAO2B**

1987-Up Toyota power/4 speaker connector



**LIABILITY DISCLAIMER**

This instruction booklet is based on carefully documented data and research of automobile dash disassembly, wire harness/codes and information pertaining to installation of this kit (LS2082B) in 1993-97 Lexus GS vehicles. Scosche Industries, Inc. can not be held responsible for discrepancies/inconsistencies that may occur due to the automobile manufacturing changes or options, or damage that may occur in the automobile during the installation of components while using this booklet.

If you have any further questions, call our toll free technical help line at: **1-800-621-3695x3**

**FACTORY STEREO REMOVAL**

**1993-97 LEXUS GS  
RADIO REMOVAL**

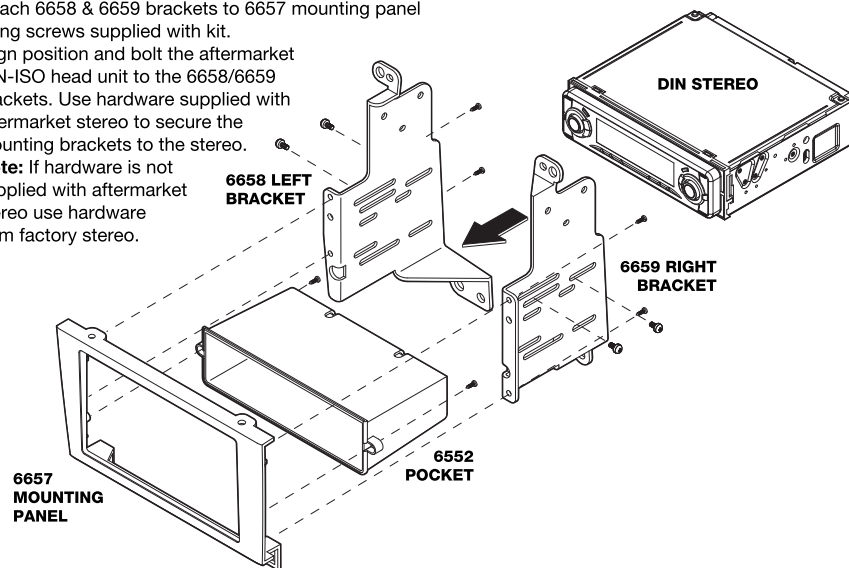
1. Pry vent bezel above stereo out, disconnect and remove.
2. Pry ashtray bezel out, disconnect and remove.
3. Extract (4) 10mm bolts securing stereo. Disconnect and remove.

**MOUNTING THE STEREO**

**DIN-ISO MOUNT**

1. Align 6552 pocket and attach to 6657 panel using screws supplied with kit
2. Attach 6658 & 6659 brackets to 6657 mounting panel using screws supplied with kit.
3. Align position and bolt the aftermarket DIN-ISO head unit to the 6658/6659 brackets. Use hardware supplied with aftermarket stereo to secure the mounting brackets to the stereo.

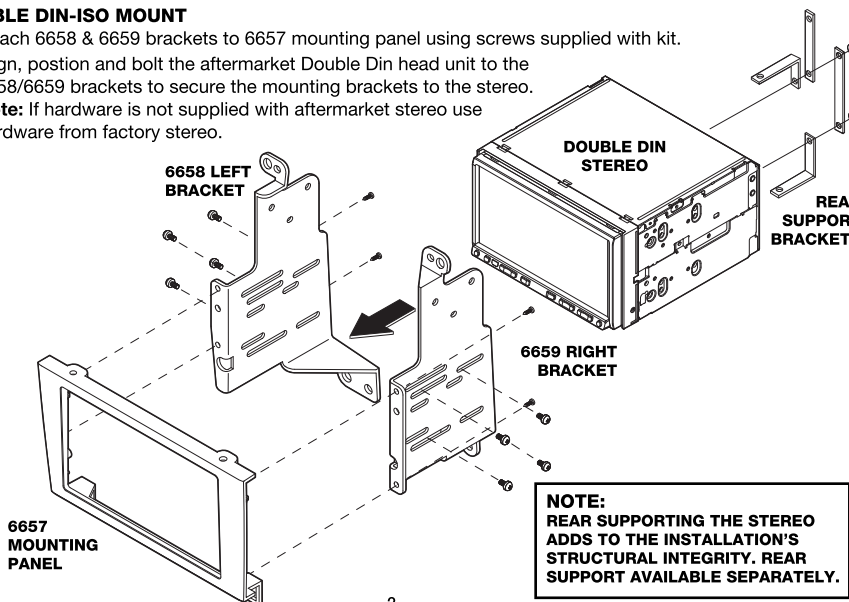
**Note:** If hardware is not supplied with aftermarket stereo use hardware from factory stereo.



**DOUBLE DIN-ISO MOUNT**

1. Attach 6658 & 6659 brackets to 6657 mounting panel using screws supplied with kit.
2. Align, position and bolt the aftermarket Double Din head unit to the 6658/6659 brackets to secure the mounting brackets to the stereo.

**Note:** If hardware is not supplied with aftermarket stereo use hardware from factory stereo.



**NOTE:**  
REAR SUPPORTING THE STEREO ADDS TO THE INSTALLATION'S STRUCTURAL INTEGRITY. REAR SUPPORT AVAILABLE SEPARATELY.