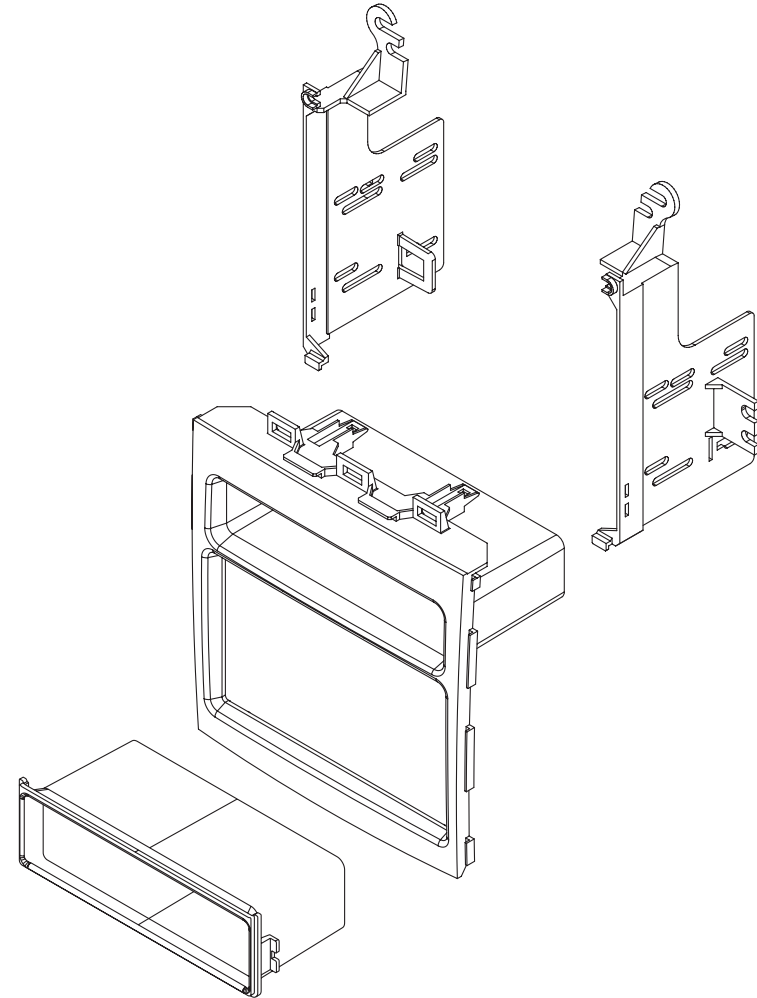




**American
International**
Car Stereo Installation Kits & Accessories



SBK931GB Mounting Kit



www.aampglobal.com www.aius.net
2500 East Francis Street Ontario, CA 91761, U.S.A.
Sales: (800) 477-2267
Intl: (727) 572-9255
Support: 888-228-5560

VEHICLE APPLICATION

Subaru
2018 Crosstrek
2017-18 Impreza

DASH DISASSEMBLY INSTRUCTIONS

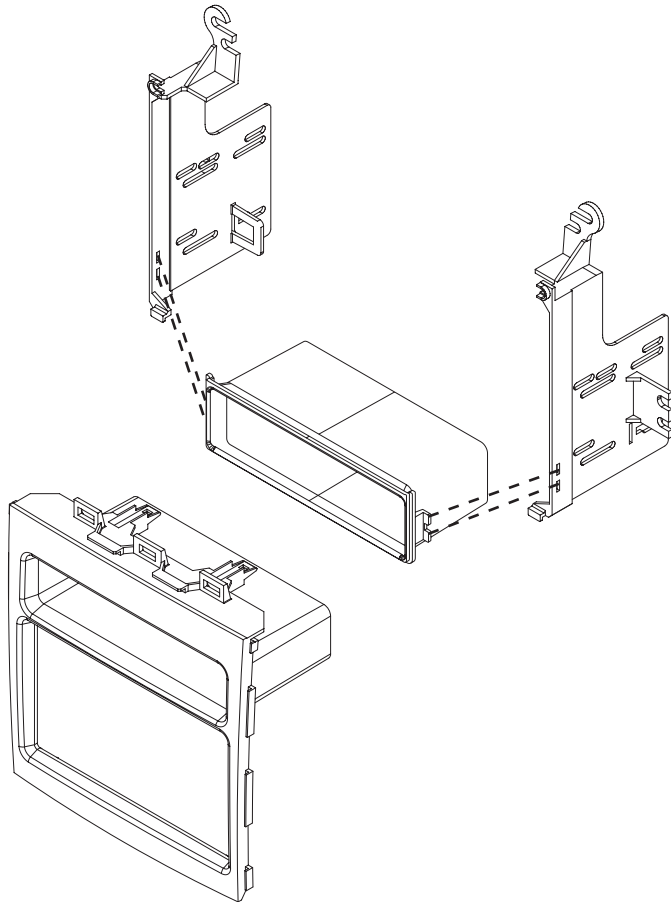
1. Using a soft tool carefully unsnap and remove the air vents on both sides of the radio.
2. Unsnap and remove the trim bezel above the factory radio.
3. From the radio mounting brackets Remove (4) Phillips screws securing the radio, remove.
4. Remove (4) panel clips from the OEM radio panel. Save for kit assembly.

KIT ASSEMBLY INSTRUCTIONS

Single ISO Mount Application

1. Reinstall the (4) panel clips left over for disassembly to the rear of the SBK931GB main panel.
2. Insert pocket into lower section of the brackets.
3. Install brackets to rear of main frame using the (2) screws provided, hooking bottom of brackets to main panel first
4. Insert ISO mountable radio between ISO mount brackets and loosely attach to sides of radio using screws provided with radio when possible, or screws supplied with kit.
5. Using the main frame of the as a guide, slide radio forward or backward for desired look and then tighten screws to the radio.

Figure A



DOUBLE DIN INSTALLATION INSTRUCTIONS

Double DIN ISO Mount Application

See Fig B for bracket tab removal.

1. Reinstall the (4) panel clips left over for disassembly to the rear of the SBK931GB main panel.
2. Remove pocket support tabs from both brackets.
3. Install brackets to rear of main frame using the (2) screws provided, hooking bottom of brackets to main panel first
4. Insert ISO mountable radio between ISO mount brackets and loosely attach to sides of radio using screws provided with radio when possible, or screws supplied with kit.
5. Using the main frame of the as a guide, slide radio forward or backward for desired look and then tighten screws to the radio.

Figure B

Remove shaded tabs
on left and right sides
of the brackets
(Right side not shown)

