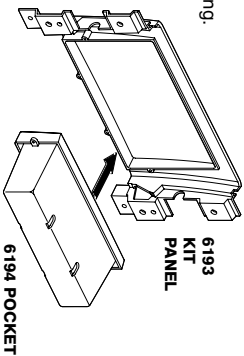


POCKET ASSEMBLY

ATTACHING THE TRIM RING:

Press the pocket into the lower position of the mount opening. There are (4) hole mounting locations to mount. Use supplied screws from installation kit.

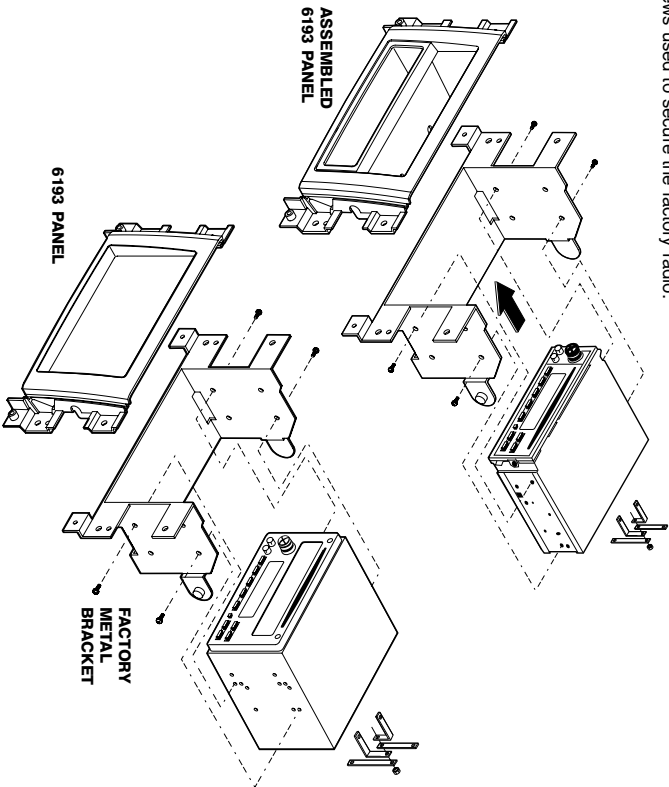


MOUNTING THE RADIO

MOUNTING THE RADIO FOR SINGLE DIN OR DOUBLE DIN:

- Mount the aftermarket DIN radio to the factory metal mounting brackets using top holes with the factory hardware.
- For Double din aftermarket radio align factory brackets to double din holes, two top hole and one bottom hole should be usable. Align radio mounting assembly to the kit panel trim ring.
- Secure the whole panel assembly to the dash using screws used to secure the factory radio.

NOTE:
BEAR SUPPORT AVAILABLE SEPARATELY REAR SUPPORTING THE RADIO ADDS TO THE INSTALLATION'S STRUCTURAL INTEGRITY.



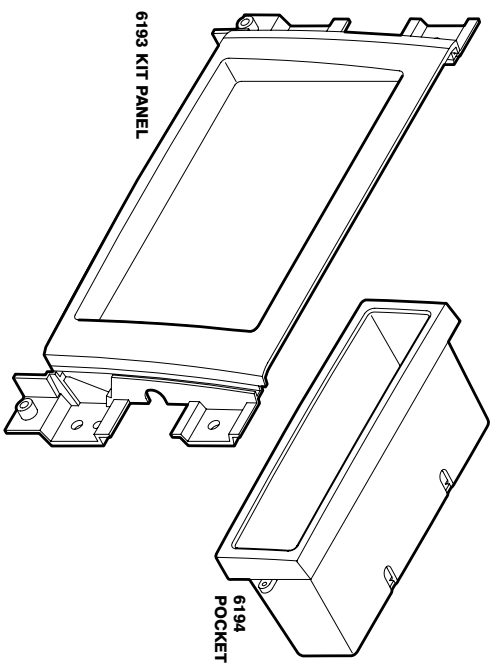
STEREO INSTALLATION

- Using a panel removal tool, remove the trim on both sides of radio and A/C control. This piece extends from side of shifter up to side of A/C vents above stereo.
- Remove the (6) Phillips Screws holding the radio and climate control. Disconnect and remove.
- Remove (3) screws on each side of radio.
- Remove (2) Phillips Screws holding A/C control to radio.

SCOSCHE

SI2227B

IN-DASH INSTALLATION KIT FOR 2006-UP SUZUKI GRAND VITARA



INTRODUCTION / PRELIMINARY

Thank you for purchasing the Scosche SI2227B Kit. This kit was manufactured with the highest of quality standards.

CAUTION:

DISCONNECT YOUR VEHICLE'S NEGATIVE BATTERY TERMINAL BEFORE THE INSTALLATION TO HELP PREVENT ELECTRICAL DAMAGE. WE RECOMMEND THE USE OF A VOLT/OHM METER OVER A TEST LIGHT TO CHECK WIRING. A TEST LIGHT OR GROUNDED WIRE PROBE CAN CAUSE DAMAGE TO THE VEHICLE'S COMPUTER AND/OR DIAGNOSTIC SYSTEMS. AVOID ALL FACTORY AIR BAG WIRING - AIR BAGS CAN ACCIDENTALLY DEPLOY CAUSING SERIOUS INJURY OR DEATH.

NOTES:

- See your vehicle's instructions for any special tools your installation might require.
- Read all instructions accompanying your car stereo/cassette player for proper wiring and mounting instructions.

FACTORY WIRING CODES



LIABILITY DISCLAIMER

This instruction booklet is based on carefully documented data and research of automobile dash disassembly, wire harness/codes and information pertaining to installation of this kit (SI2227B) in 2006-UP Suzuki Grand Vitara Vehicles. Scosche Industries, Inc. can not be held responsible for discrepancies/inconsistencies that may occur due to the automobile manufacturing changes or options, or damage that may occur in the automobile during the installation of components while using this booklet.

If you have any further questions, call our toll free technical help line at: **1-800-621-3695x3**
© 2007 SCOSCHE INDUSTRIES, INC. SI -04/07 - SI2227B (3000003)