

Step 6

Kit Assembly

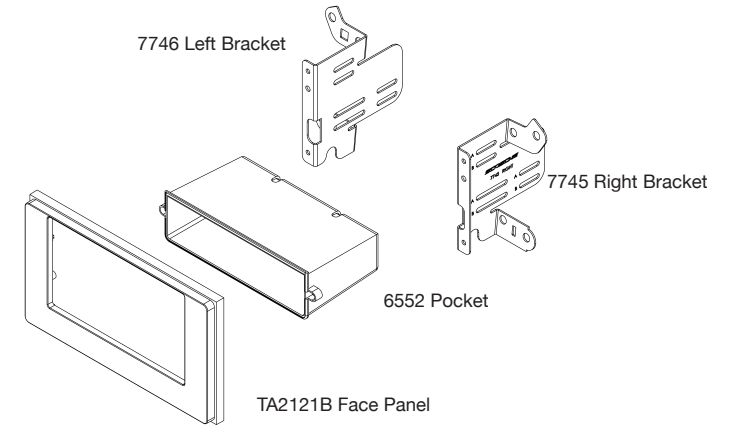
Mount and screw the assembly into the dash cavity, then reassemble everything in reverse order to complete the installation.



Notes

Series of horizontal lines for taking notes.

IN-DASH INSTALLATION KIT FOR 2016-UP TOYOTA TACOMA VEHICLES EQUIPED W/ PREMIUM STEREO



Tools Required:

- PRT (Panel Removal Tool)
• Screwdriver

INTRODUCTION/PRELIMINARY

This premium installation kit is for 2016-UP Toyota Tacoma vehicles with premium model radio. Included are all the parts you need to mount your car stereo or CD player into your vehicle's dash. Refer to individual instruction in this manual to remove your vehicles factory radio and assemble the kit.

CAUTION: DISCONNECT YOUR VEHICLE NEGATIVE BATTERY TERMINAL BEFORE THE INSTALLATION TO HELP PREVENT ELECTRICAL DAMAGE. WE RECOMMEND THE USE OF A VOLT/OHM METER OVER A TEST LIGHT TO CHECK WIRING. A TEST LIGHT OR GROUNDED WIRE PROBE CAN CAUSE DAMAGE TO THE VEHICLE'S COMPUTER AND/OR DIAGNOSTIC SYSTEMS. AVOID ALL FACTORY AIRBAG WIRING - AIRBAGS CAN ACCIDENTALLY DEPLOY CAUSING SERIOUS INJURY OR DEATH.

NOTES

- See your vehicle's instructions for any special tools your installation might require.
• Read all instructions accompanying your car stereo for proper wiring and mounting instructions.



IMPORTANT!

DO NOT RETURN PRODUCT TO THE RETAILER
IF YOU NEED ASSISTANCE OR REPLACEMENT PARTS CALL US TOLL FREE: 1800-621-3695 X3
HOURS: MON-FRI 8AM-5:30PM (PST) SATURDAY 8AM-2PM (PST)

LIABILITY DISCLAIMER

This instruction booklet is based on carefully documented data and research of automobile disassembly, wire harness/codes and information pertaining to the installation of this kit. Scosche Industries, Inc. cannot be held responsible for discrepancies/inconsistencies that may occur due to the automobile manufacturing changes or options, or damage that may occur in the automobile during the installation of components while using this booklet.

If you have any further questions, call our toll free technical help line at:

1-800-621-3695x3

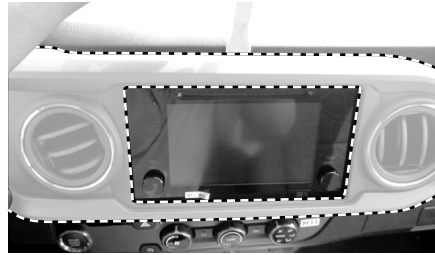
INSTALLATION GUIDE

Disassembly

Step 1

Disassembly

Using a PRT (Panel Removal Tool) remove the air vent duct panel surrounding the OEM radio unit (dashed highlighted area)



Step 2

Disassembly

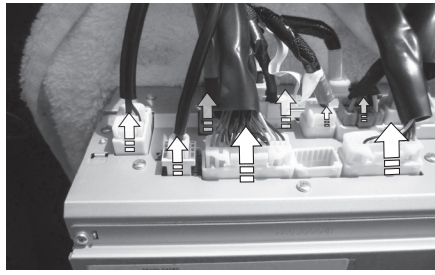
Remove (4) screws securing the radio in place (circled).



Step 3

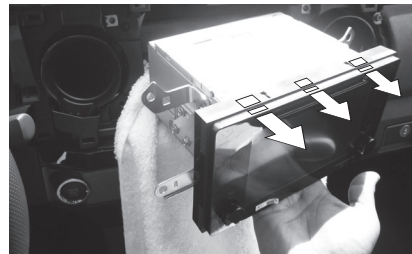
Disassembly

Unplug all wiring



Step 4

Remove radio from the dash cavity and unscrew brackets from the OEM radio



INSTALLATION GUIDE

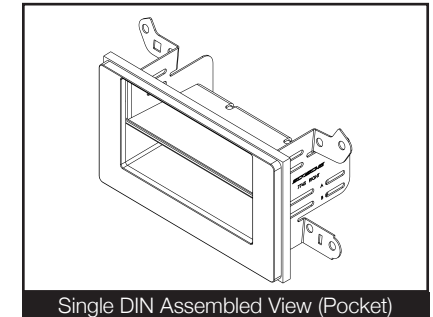
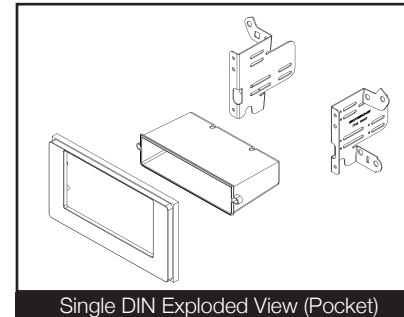
Kit Assembly Continued

Step 5

Kit Assembly

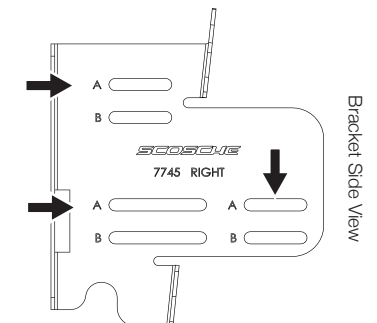
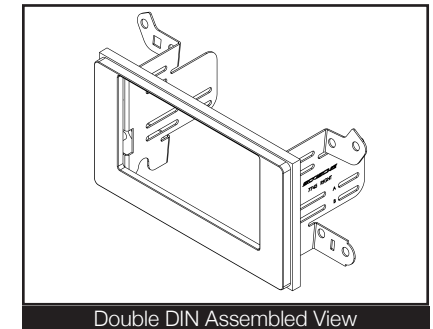
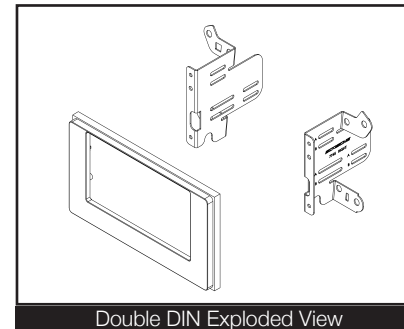
SINGLE DIN RADIO

1. Attach the pocket provided onto TA2121B face panel using the screws provided.
2. Attach LEFT and RIGHT brackets onto the face panel pocket assembly
3. Place and secure single DIN radio onto the assembly, screw brackets to the radio (Not shown in figures).



DOUBLE DIN RADIO

1. Attach LEFT and RIGHT brackets onto the face panel.
2. Secure double DIN radio onto the assembly, screw brackets to the radio unit (Not shown in figures).



NOTE: When mounting both brackets to the radio unit only use "A" screw locations only!