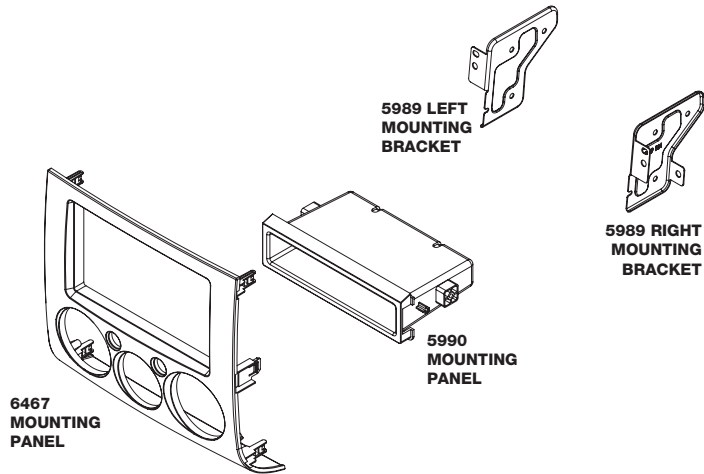


**IN-DASH DIN STEREO INSTALLATION KIT FOR
2004 MITSUBISHI GALANT**



INTRODUCTION/PRELIMINARY

This premium installation kit for 2004 Mitsubishi Galant vehicles. Included are all the parts you need to mount your car stereo or CD player into your vehicle's dash. Refer to the individual instruction in this manual to remove your vehicle's factory radio and assemble the kit.

CAUTION

DISCONNECT YOUR VEHICLE'S NEGATIVE BATTERY TERMINAL BEFORE THE INSTALLATION TO HELP PREVENT ELECTRICAL DAMAGE. WE RECOMMEND THE USE OF A VOLT/OHM METER OVER A TEST LIGHT TO CHECK WIRING. A TEST LIGHT OR GROUNDED WIRE PROBE CAN CAUSE DAMAGE TO THE VEHICLE'S COMPUTER AND/OR DIAGNOSTIC SYSTEMS. AVOID ALL FACTORY AIRBAG WIRING - AIRBAGS CAN ACCIDENTALLY DEPLOY CAUSING SERIOUS INJURY OR DEATH.

NOTES

- See your vehicle's instructions for any special tools your installation might require.
- Read all instructions accompanying your car stereo for proper wiring and mounting instructions.

FACTORY WIRING CODES

For Factory Wiring Codes go to: www.scosche-cars.com

CAR STEREO CONNECTORS

PROVIDE EASY CONNECTION OF YOUR CAR STEREO TO FACTORY WIRING HARNESS.

MIO2B
2004 Mitsubishi Galant
Standard System



LIABILITY DISCLAIMER

This instruction booklet is based on carefully documented data and research of automobile dash disassembly, wire harness/ codes and information pertaining to installation of this kit (MI3018B) in 2004 Mitsubishi Galant vehicles. Scosche Industries, Inc. can not be held responsible for discrepancies/inconsistencies that may occur due to the automobile manufacturing changes or options, or damage that may occur in the automobile during the installation of components while using this booklet.

FACTORY STEREO REMOVAL

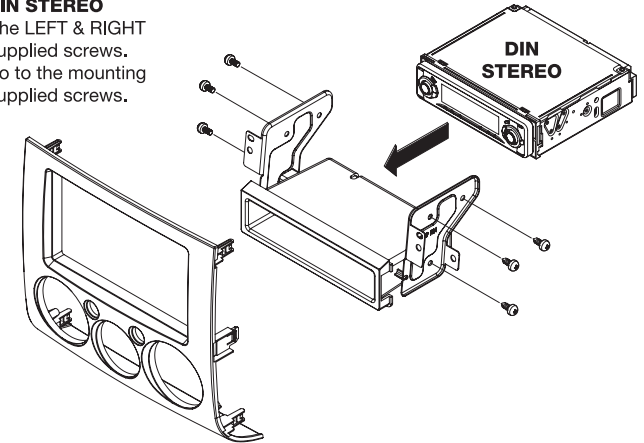
Stereo removal:

1. Using a panel removal tool, pry off the radio bezel. Disconnect hazard switch and remove.
2. Remove (4) Phillips head screws from radio brackets. Disconnect and Remove.
3. Using a Phillips screw driver extract (4) screws holding the A/C control unit on the factory panel, then remove A/C control unit.

MOUNTING THE STEREO

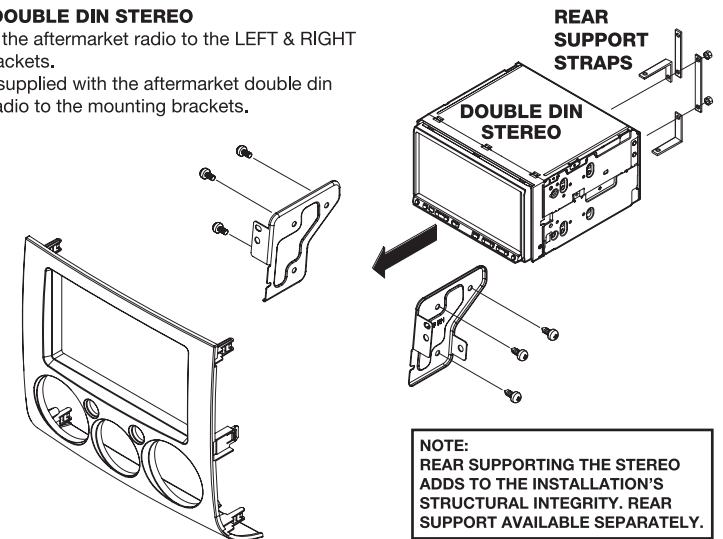
ATTACHING THE SINGLE DIN STEREO

1. Secure the 5990 pocket to the LEFT & RIGHT 5989 brackets with the (2) supplied screws.
2. Mount the aftermarket stereo to the mounting brackets with the stereo's supplied screws.



ATTACHING THE DOUBLE DIN STEREO

1. Align and position the aftermarket radio to the LEFT & RIGHT 5989 mounting brackets.
2. Using the screws supplied with the aftermarket double din radio secure the radio to the mounting brackets.



NOTE:
REAR SUPPORTING THE STEREO ADDS TO THE INSTALLATION'S STRUCTURAL INTEGRITY. REAR SUPPORT AVAILABLE SEPARATELY.



If you have any further questions, or need dash disassembly instructions, call our TOLL-FREE number:
TECHNICAL HELP line 1-800-621-3695 x3