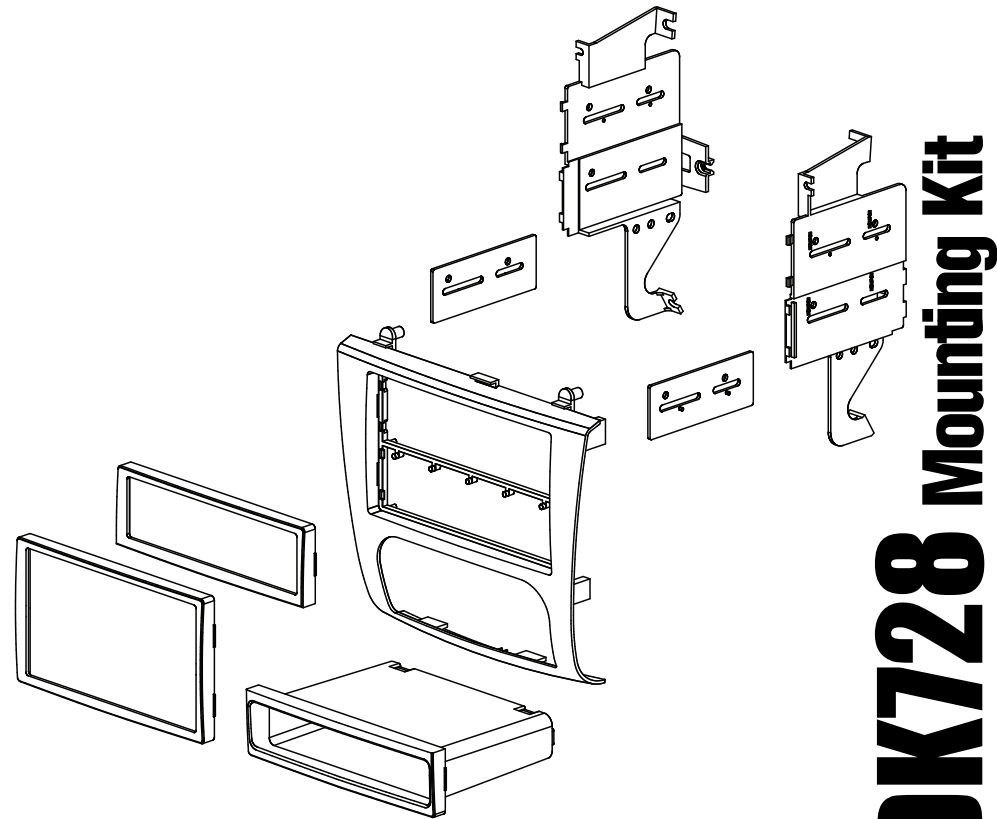


For information about other American International automotive accessories visit our website at:

<http://www.americaninternational.net>



**American
International**
Car Stereo Installation Kits & Accessories



NDK728 Mounting Kit



American International

Automotive Products Division

1040 Avenida Acaso • Camarillo, CA 93012, U.S.A.

USA Sales (800) 336-6500

Canada Sales (888) 922-3006 • USA Fax (805) 388-7950

VEHICLE APPLICATIONS

Nissan

2007-12 ALTIMA SEDAN (W/DIGITAL CLIMATE CONTROLS)

2007-13 ALTIMA COUPE (W/DIGITAL CLIMATE CONTROLS)

CUSTOMER HELP LINE

USA 800-323-4329 • Canada 800-245-8777

iNDK728

DASH DISASSEMBLY INSTRUCTIONS

1. Carefully pull the vent assembly above the factory radio forward, disconnect all attached harnesses and remove vent assembly.
2. Remove the (2) Phillips screws securing the upper Radio/Climate control module brackets to the sub-dash.
3. Remove the trim panel located directly under the climate controls.
4. Remove the (2) Phillips screws securing the lower Radio/Climate control module assembly to the sub-dash.
5. Carefully pull the entire radio/Climate control assembly forward, disconnect all attached harnesses and antenna lead and remove assembly.
6. Remove the (2) Phillips screws located at the top of the metal mounting brackets securing the brackets to the rear of the radio/climate control trim bezel.
7. Remove the (2) Phillips screw securing the left and right side of the metal mounting brackets to the Climate control module and remove module.
8. Remove the (8) T-20 torx screws securing the left and right factory radio metal mounting brackets to the radio/trim bezel and remove brackets.

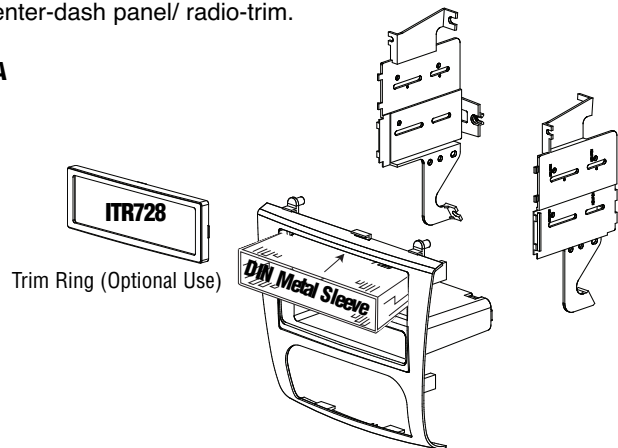
NOTE: Retain all Phillips screws in steps 6-7 to re-assemble the climate controls to the installation kit.

DIN MOUNT INSTALLATION INSTRUCTIONS

Requires new radio's metal sleeve (See Illustration Below)

1. Insert DIN metal-sleeve from your new radio into the radio opening of the installation kit. (See Fig. A)
2. Depress the tabs from inside the sleeves opening upward, outward, and downward to secure sleeve to the installation kit.
3. Slide new radio through DIN Metal-Sleeve until it locks in place.
4. Connect all required harnesses into new radio and place assemble back into sub-dash.
5. Using the factory mounting screws mount the new radio/kit onto sub-dash and put back the center-dash panel/ radio-trim.

Fig. A

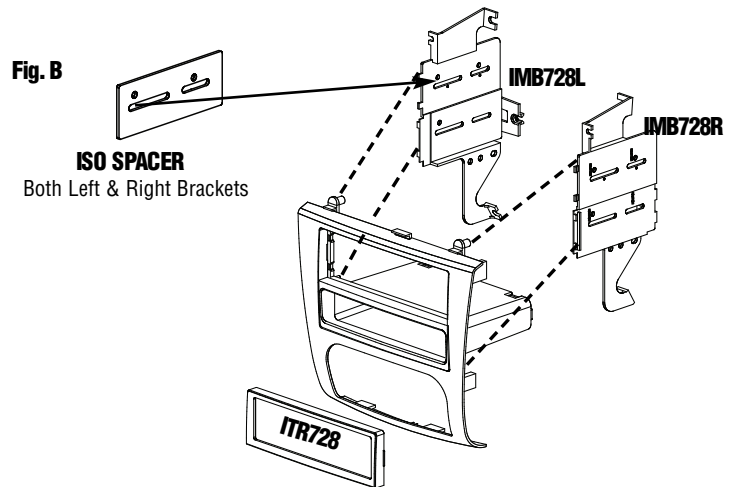


SINGLE ISO INSTALLATION INSTRUCTIONS

1. Insert ISO spacers to brackets as shown in Fig B.
2. Attach the DITR728 to the IMB728L and IMB728R mounting brackets.
3. Insert ISO mountable radio between Left and Right brackets and attach radio to brackets using screws supplied with radio (when possible) or screws supplied with kit.
4. Mount radio and side brackets to factory radio bezel. Then place radio trim bezel back into position.

5. Attach a rear support bracket to the rear of the radio components and adjust as needed to allow rear support bracket to rest in the sub-dash (optional).

Fig. B



DOUBLE DIN INSTALLATION INSTRUCTIONS

1. Insert ISO spacers to brackets as shown in Fig C.
2. Remove center bar from the NDK728 mainframe. File edges smooth.
3. Remove shaded tabs on both left and right mounting brackets.
4. Attach the DITR728 to the IMB728L and IMB728R mounting brackets.
5. Insert ISO mountable radio between Left and Right brackets and attach radio to brackets using screws supplied with radio (when possible) or screws supplied with kit.
6. Mount radio and side brackets to factory radio bezel. Then place radio trim bezel back into position.
7. Attach a rear support bracket to the rear of the radio components and adjust as needed to allow rear support bracket to rest in the sub-dash (optional).

Fig. C

