



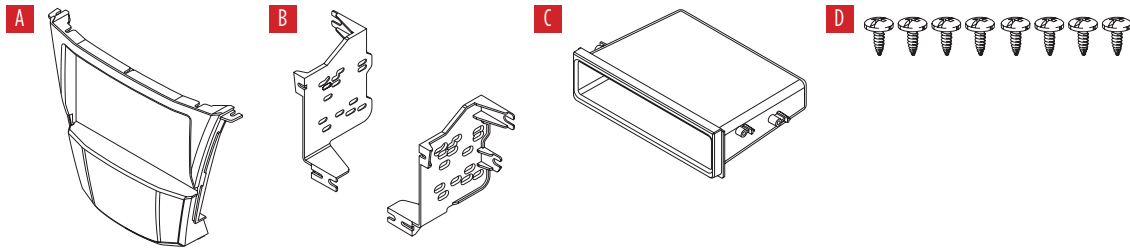
## Acura MDX 2007-2013

### KIT FEATURES

- ISO DIN radio provision with pocket
- Painted matte black

### KIT COMPONENTS

- A) Radio housing • B) Radio brackets • C) Pocket • D) (8) #8 x 3/8" Phillips screws



### TABLE OF CONTENTS

Dash Disassembly .....	2
Kit Assembly .....	3

### WIRING & ANTENNA CONNECTIONS (sold separately)

Wiring Harness: Please visit [metraonline.com](http://metraonline.com) for wiring harness options

Antenna Adapter: Please visit [metraonline.com](http://metraonline.com) for antenna adapter options

### TOOLS REQUIRED

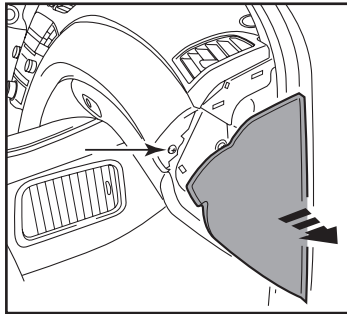
- Panel removal tool • Phillips screwdriver

**Attention!** Let the vehicle sit with the key out of the ignition for a few minutes before removing the factory radio. When testing the aftermarket equipment, ensure that all factory equipment is connected before cycling the key to ignition.

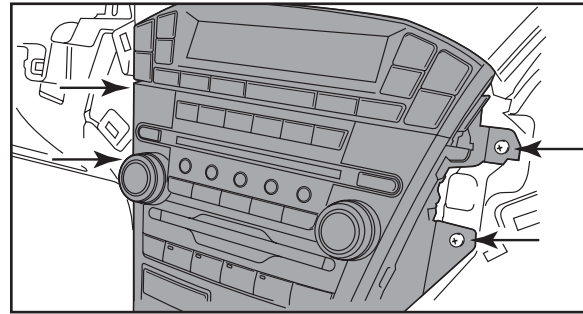
## DASH DISASSEMBLY

1. Open the passenger door, then unclip and remove the panel on the side of the dashboard. Remove (1) Phillips screw exposed. (Figure A)
2. Unclip and remove the dashboard trim panel above the glovebox. (Figure B)
3. Unclip and remove the dashboard trim panel between the steering column and the radio. (Figure B)
4. Remove (4) screws securing the radio. Slide the radio out, then unplug and remove the radio. (Figure C)
5. Remove the (4) screws securing the factory climate controls to the factory radio assembly.
6. Attach the factory climate controls to the radio housing using the (2) screws removed from the climate controls and the radio.

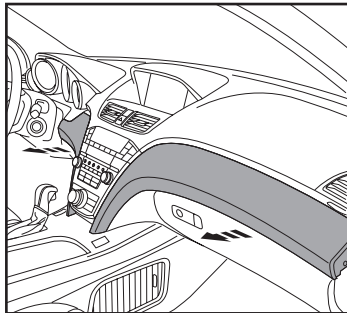
**Note:** The two side screws from the brackets will not be used



(Figure A)



(Figure C)

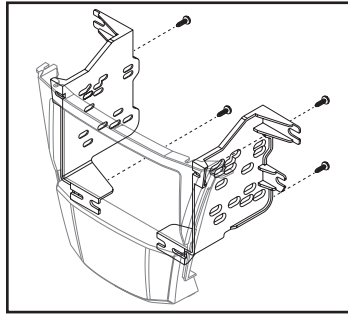


(Figure B)

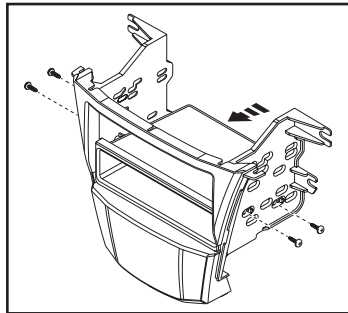
*Continue to Kit Assembly*

## KIT ASSEMBLY

1. Secure the radio brackets to the radio housing using the (4) #8 x 3/8" Phillips screws provided. (Figure A)
2. Slide the pocket into the bracket/housing assembly, and then secure it using the (4) #8 x 3/8" Phillips screws provided. (Figure B)
3. Remove the metal DIN sleeve and trim ring from the aftermarket radio.

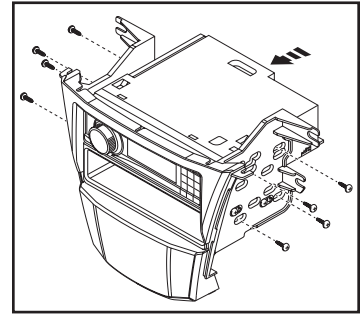


(Figure A)



(Figure B)

4. Slide the radio into the bracket/housing/pocket assembly, then secure it using the screws supplied with the radio. (Figure C)
5. Locate the factory wiring harness and antenna connector in the dash and complete all necessary connections to the radio. Metra recommends using the proper mating adapter from Metra and/or Axxess. Test the radio for proper operation.
6. Secure the radio assembly to the dash using the factory screws.
7. Reassemble the dash in reverse order of disassembly to complete the installation.



(Figure C)



**99-7820B**  
INSTALLATION INSTRUCTIONS



If you are having difficulties with the installation of this product, contact our Tech Support line either by phone at **386-257-1187**, or email at **techsupport@metra-autosound.com**. Before doing so, look over the instruction booklet a second time and ensure that the installation was performed exactly as the instruction booklet is stated. Have the vehicle apart and ready to perform troubleshooting steps before contacting Metra/Axxess Tech Support.



**KNOWLEDGE IS POWER**

Enhance your installation and fabrication skills by enrolling in the most recognized and respected mobile electronics school in our industry. Log onto [www.installerinstitute.com](http://www.installerinstitute.com) or call 800-354-6782 for more information and take steps toward a better tomorrow.



**Metra recommends MECP certified technicians**