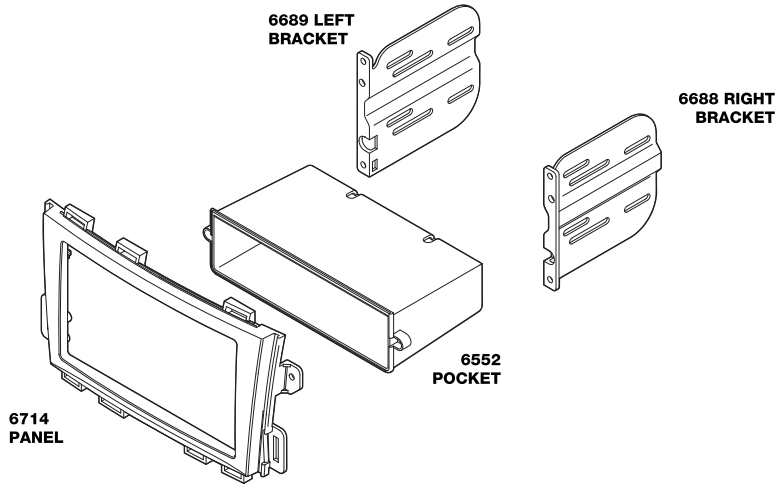


**IN-DASH INSTALLATION KIT FOR
2009 NISSAN MURANO
(WITHOUT BOSE AUDIO OR NAVIGATION)**



INTRODUCTION/PRELIMINARY

This premium installation kit is for 2009 Nissan Murano vehicles. Included are all the parts you need to mount your car stereo or CD player into your vehicle's dash. Refer to the individual instruction in this manual to remove your vehicle's factory radio and assemble the kit.

CAUTION
DISCONNECT YOUR VEHICLE'S NEGATIVE BATTERY TERMINAL BEFORE THE INSTALLATION TO HELP PREVENT ELECTRICAL DAMAGE. WE RECOMMEND THE USE OF A VOLT/OHM METER OVER A TEST LIGHT TO CHECK WIRING. A TEST LIGHT OR GROUNDED WIRE PROBE CAN CAUSE DAMAGE TO THE VEHICLE'S COMPUTER AND/OR DIAGNOSTIC SYSTEMS. AVOID ALL FACTORY AIRBAG WIRING - AIRBAGS CAN ACCIDENTALLY DEPLOY CAUSING SERIOUS INJURY OR DEATH.

- NOTES**
- See your vehicle's instructions for any special tools your installation might require.
 - Read all instructions accompanying your car stereo for proper wiring and mounting instructions.

FACTORY WIRING CODES

For Factory Wiring Codes go to: www.scosche-cars.com

CAR STEREO CONNECTORS

PROVIDE EASY CONNECTION OF YOUR CAR STEREO TO FACTORY WIRING HARNESS.

NNO4B
2007 -Up Nissan
Connector

NAA2B
2007-Up Nissan
Antenna Adapter



LIABILITY DISCLAIMER

This instruction booklet is based on carefully documented data and research of automobile dash disassembly, wire harness/codes and information pertaining to installation of this kit (NN1649B) in 2009 Nissan Murano vehicles. Scosche Industries, Inc. cannot be held responsible for discrepancies/inconsistencies that may occur due to the automobile manufacturing changes or options, or damage that may occur in the automobile during the installation of components while using this booklet.

If you have any further questions, call our toll free technical help line at: **1-800-621-3695x3**

FACTORY STEREO REMOVAL

2009 NISSAN MURANO

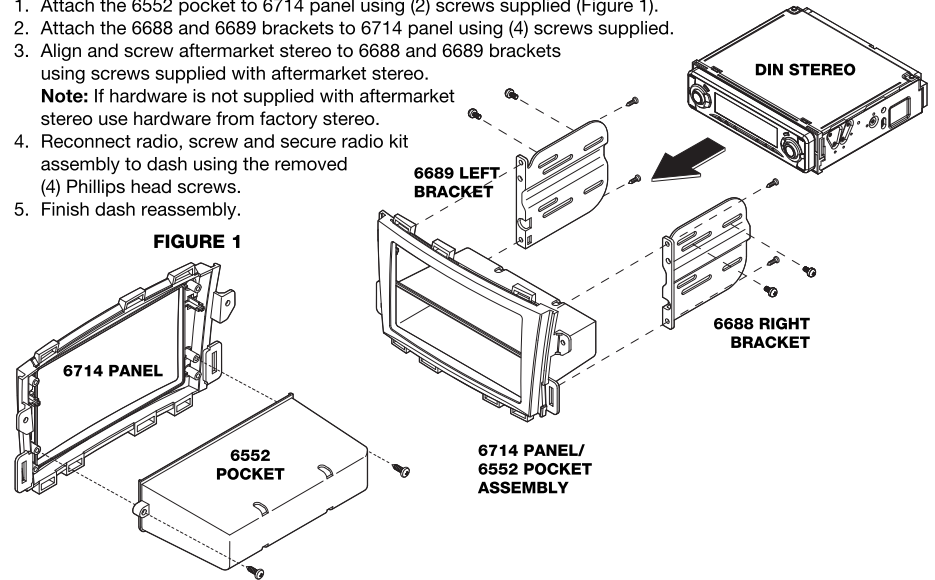
1. Use panel removal tool to unclip panel below stereo (facing floor).
2. Extract (2) Phillips head screws from bottoms of stereo side panels
3. Unclip and remove side panels.
4. Extract (7) Phillips head screws from sides of stereo and A/C control panels.
5. Unclip and remove A/C control panel and panel below stereo.
6. Extract (4) Phillips head screws from stereo.
7. Unplug and remove stereo.

MOUNTING THE STEREO

DIN-ISO MOUNT

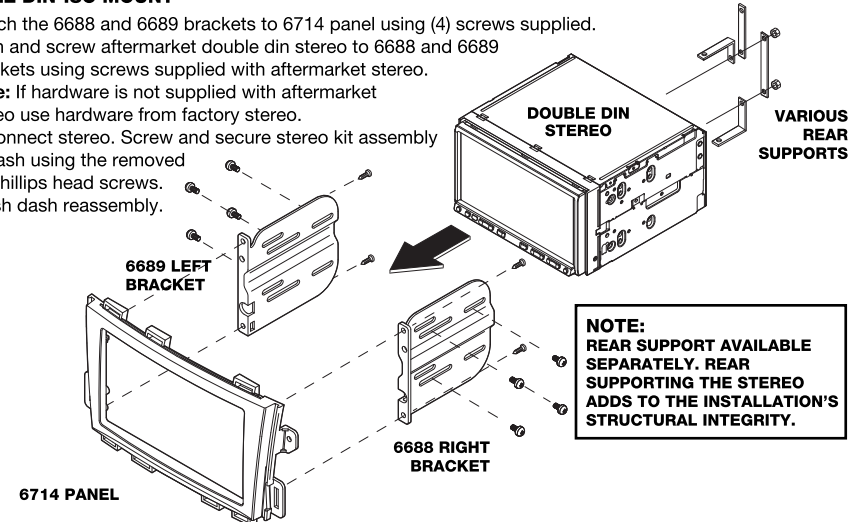
1. Attach the 6552 pocket to 6714 panel using (2) screws supplied (Figure 1).
2. Attach the 6688 and 6689 brackets to 6714 panel using (4) screws supplied.
3. Align and screw aftermarket stereo to 6688 and 6689 brackets using screws supplied with aftermarket stereo.
Note: If hardware is not supplied with aftermarket stereo use hardware from factory stereo.
4. Reconnect radio, screw and secure radio kit assembly to dash using the removed (4) Phillips head screws.
5. Finish dash reassembly.

FIGURE 1



DOUBLE DIN-ISO MOUNT

1. Attach the 6688 and 6689 brackets to 6714 panel using (4) screws supplied.
2. Align and screw aftermarket double din stereo to 6688 and 6689 brackets using screws supplied with aftermarket stereo.
Note: If hardware is not supplied with aftermarket stereo use hardware from factory stereo.
3. Reconnect stereo. Screw and secure stereo kit assembly to dash using the removed (4) Phillips head screws.
4. Finish dash reassembly.



NOTE:
REAR SUPPORT AVAILABLE SEPARATELY. REAR SUPPORTING THE STEREO ADDS TO THE INSTALLATION'S STRUCTURAL INTEGRITY.