

CDK662 Mounting Kit



www.aampglobal.com www.aius.net
2500 East Francis Street Ontario, CA 91761, U.S.A.
Sales: (800) 477-2267
Intl: (727) 572-9255
Support: 888-228-5560

VEHICLE APPLICATION

RAM
2014-18 PROMASTER

DASH DISASSEMBLY INSTRUCTIONS

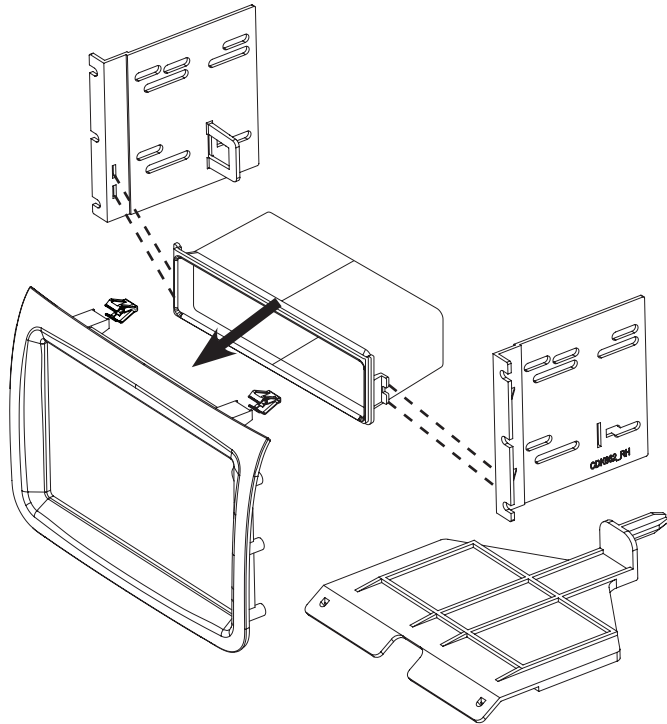
1. Using the supplied radio release keys insert into the 2 holes on each side of the head unit and pull keys outwards. Then, remove .
2. The (2) metal brackets on both the right and left sides of the now exposed radio opening need to be taken out by removing the (2) Phillips heads screws from each side.

KIT ASSEMBLY INSTRUCTIONS

Single ISO Mount Application

1. Install the (2) supplied metal clips to the rear of the CDK662 main frame.
2. Install the bottom support bracket to the lower radio opening by inserting the rear post to the small opening in the sub dash. Then using the (2) Phillips screws supplied, in the front left and right corners mount to dash..
3. Insert pocket into lower section of the brackets and snap into rear pocket support tabs.
4. Install brackets to rear of main frame using the (6) screws provided
5. Insert ISO mountable radio between ISO mount brackets and loosely attach to sides of radio using screws provided with radio when possible, or screws supplied with kit.
6. Using the main frame of the as a guide, slide radio forward or backward for desired look and then tighten screws to the radio.

Figure A



DOUBLE DIN INSTALLATION INSTRUCTIONS

Double DIN ISO Mount Application

See Fig B for bracket tab removal.

1. Install the (2) supplied metal clips to the rear of the CDK662 main frame.
2. Install the bottom support bracket to the lower radio opening by inserting the rear post to the small opening in the sub dash. Then using the (2) Phillips screws supplied, in the front left and right corners mount to dash.
3. Remove rear pocket support tabs.
4. Install brackets to rear of main frame using the (6) screws provided
5. Insert ISO mountable radio between ISO mount brackets and loosely attach to sides of radio using screws provided with radio when possible, or screws supplied with kit.
6. Using the main frame of the as a guide, slide radio forward or backward for desired look and then tighten screws to the radio.

Figure B

