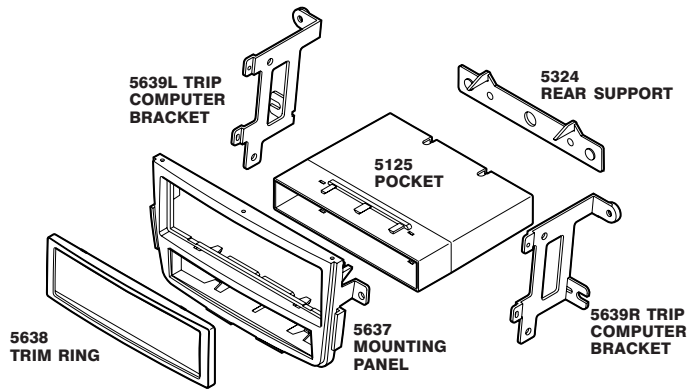


### IN-DASH INSTALLATION KIT FOR 2001-UP ACURA MDX VEHICLES



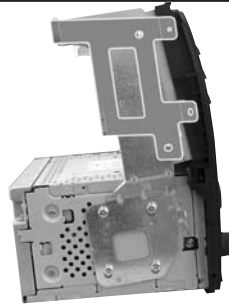
#### RADIO REMOVAL

1. Using a small hook tool, carefully pry the dash surrounding the radio/trip computer/and A/C controles off. Disconnect and remove the dash panel.
2. Remove six (6) Phillips head screws securing the radio and trip computer to the dash. Disconnect and remove.

#### KIT ASSEMBLY

1. Unscrew factory metal brackets and remove. Replace factory brackets with 5639L and 5639R trip computer brackets. Follow Figure 1 on placement of trip computer brackets. Screw trip computer brackets to computer/screen unit. Screw unit to kit panel.

FIGURE 1



#### INTRODUCTION / PRELIMINARY

Thank you for purchasing the Scosche AA1576B Kit. This kit was manufactured with the highest of quality standards.

#### NOTES:

- See your vehicle's instructions for any special tools your installation might require.
- Read all instructions accompanying your car stereo/cassette player for proper wiring and mounting instructions.

#### FACTORY WIRE CODES

For Factory Wiring Codes go to: [www.scosche-cars.com](http://www.scosche-cars.com)

#### LIABILITY DISCLAIMER

This instruction booklet is based on carefully documented data and research of automobile dash disassembly, wire harness/codes and information pertaining to installation of this kit in the listed vehicles. Manufacturer cannot be held responsible for discrepancies/inconsistencies that may occur due to the automobile manufacturing changes or options, or damage that may occur in the automobile during the installation of components while using this booklet.

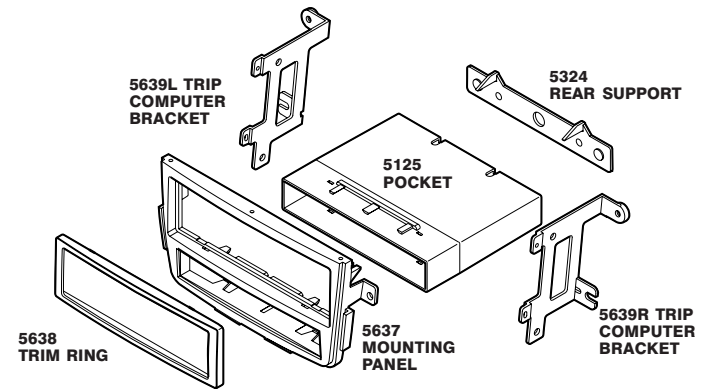
If you have any further questions call:

**TECH HELP 1-800-621-3695x3**

© 2004 SCOSCHE INDUSTRIES, INC.

SI 5/04-AA1576B (3000003)

### IN-DASH INSTALLATION KIT FOR 2001-UP ACURA MDX VEHICLES



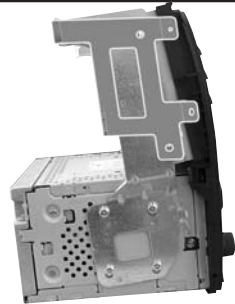
#### RADIO REMOVAL

1. Using a small hook tool, carefully pry the dash surrounding the radio/trip computer/and A/C controles off. Disconnect and remove the dash panel.
2. Remove six (6) Phillips head screws securing the radio and trip computer to the dash. Disconnect and remove.

#### KIT ASSEMBLY

1. Unscrew factory metal brackets and remove. Replace factory brackets with 5639L and 5639R trip computer brackets. Follow Figure 1 on placement of trip computer brackets. Screw trip computer brackets to computer/screen unit. Screw unit to kit panel.

FIGURE 1



#### INTRODUCTION / PRELIMINARY

Thank you for purchasing the Scosche AA1576B Kit. This kit was manufactured with the highest of quality standards.

#### NOTES:

- See your vehicle's instructions for any special tools your installation might require.
- Read all instructions accompanying your car stereo/cassette player for proper wiring and mounting instructions.

#### FACTORY WIRE CODES

For Factory Wiring Codes go to: [www.scosche-cars.com](http://www.scosche-cars.com)

#### LIABILITY DISCLAIMER

This instruction booklet is based on carefully documented data and research of automobile dash disassembly, wire harness/codes and information pertaining to installation of this kit in the listed vehicles. Manufacturer cannot be held responsible for discrepancies/inconsistencies that may occur due to the automobile manufacturing changes or options, or damage that may occur in the automobile during the installation of components while using this booklet.

If you have any further questions call:

**TECH HELP 1-800-621-3695x3**

© 2004 SCOSCHE INDUSTRIES, INC.

SI 5/04-AA1576B (3000003)