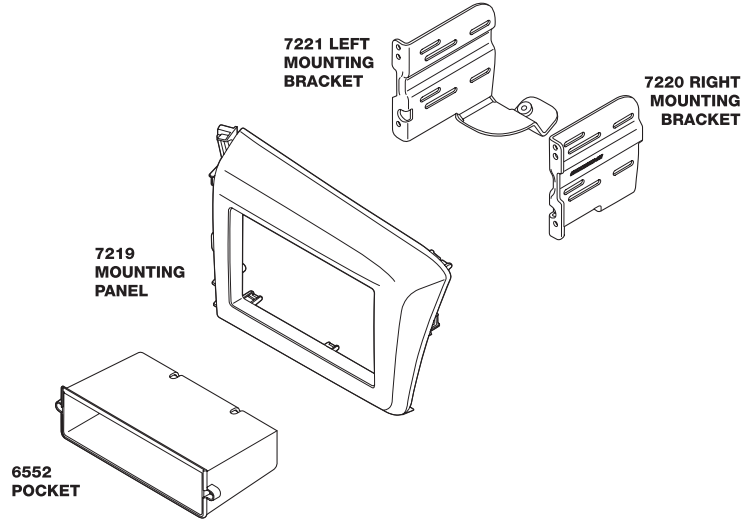


IN-DASH STEREO INSTALLATION KIT FOR 2012 HONDA CIVIC



INTRODUCTION / PRELIMINARY

This premium installation kit is for 2012 Honda Civic vehicles. Included are all the parts you need to mount your car stereo or CD player into your vehicle's dash. Refer to the individual instruction in this manual to remove your vehicle's factory radio and assemble the kit.

CAUTION

Disconnect your vehicle's negative battery terminal before the installation to help prevent electrical damage. We recommend the use of a volt/ohm meter over a test light to check wiring. A test light or grounded wire probe can cause damage to the vehicle's computer and/or diagnostic systems. Avoid all factory airbag wiring - airbags can accidentally deploy causing serious injury or death.

NOTES

- See your vehicle's instructions for any special tools your installation might require.
- Read all instructions accompanying your car stereo for proper wiring and mounting instructions.

FACTORY WIRING CODES

For Factory Wiring Codes go to: www.scosche-cars.com

CAR STEREO CONNECTORS

PROVIDE EASY CONNECTION OF YOUR CAR STEREO TO FACTORY WIRING HARNESS.

HA11B
2008-Up Honda

HAA2B
2006-Up Honda
Antenna Adapter



LIABILITY DISCLAIMER

This instruction booklet is based on carefully documented data and research of automobile dash disassembly, wire harness/codes and information pertaining to installation of this kit (HA1713B) in 2012 Honda Civic vehicles. Scosche Industries, Inc. can not be held responsible for discrepancies/inconsistencies that may occur due to the automobile manufacturing changes or options, or damage that may occur in the automobile during the installation of components while using this booklet.

If you have any further questions, call our toll free technical help line at: **1-800-621-3695x3**

FACTORY STEREO REMOVAL

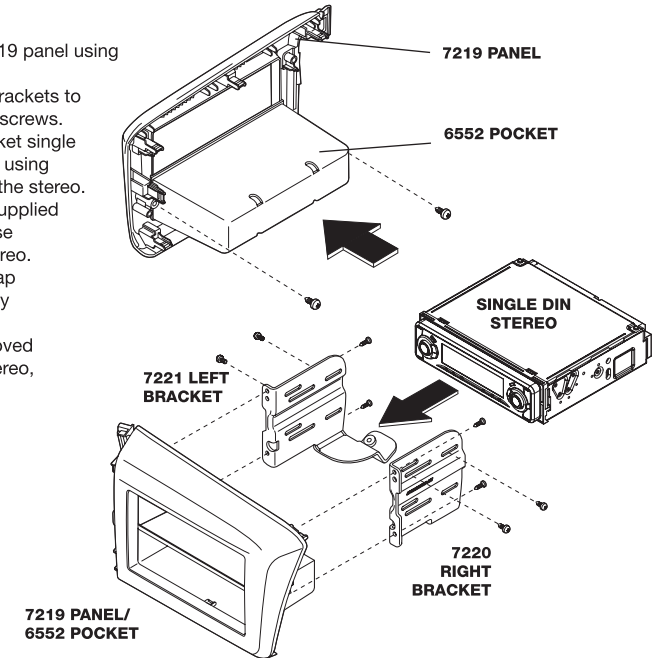
2012 HONDA CIVIC

1. Unscrew (2) Phillips head screws securing panel beneath A/C controls.
2. Use panel removal tool (PRT) to unclip the panel. Unplug and remove.
3. Unscrew (2) 8mm screws securing the factory stereo behind the panel that was just removed.
4. Use PRT to unclip bezel around the gauge cluster, unplug and remove.
5. Use PRT to unclip factory stereo, disconnect and remove.

MOUNTING THE STEREO

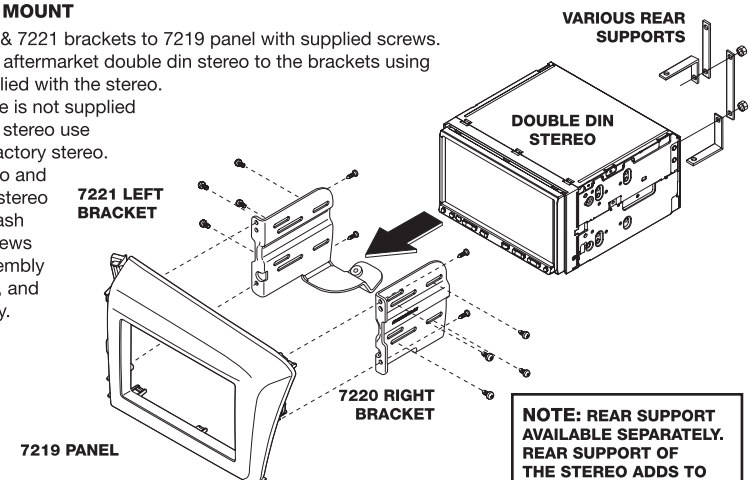
SINGLE DIN-ISO MOUNT

1. Attach 6552 pocket to 7219 panel using supplied screws.
2. Attach the 7220 & 7221 brackets to 7219 panel with supplied screws.
3. Align and attach aftermarket single din stereo to the brackets using the screws supplied with the stereo.
Note: If hardware is not supplied with aftermarket stereo use hardware from factory stereo.
4. Reconnect stereo and snap panel and stereo assembly into dash
5. Use (2) 8mm screws removed disassembly to secure stereo, and finish reassembly



DOUBLE DIN-ISO MOUNT

1. Attach the 7220 & 7221 brackets to 7219 panel with supplied screws.
2. Align and attach aftermarket double din stereo to the brackets using the screws supplied with the stereo.
Note: If hardware is not supplied with aftermarket stereo use hardware from factory stereo.
3. Reconnect stereo and snap panel and stereo assembly into dash
4. Use (2) 8mm screws removed disassembly to secure stereo, and finish reassembly.



NOTE: REAR SUPPORT AVAILABLE SEPARATELY. REAR SUPPORT OF THE STEREO ADDS TO THE INSTALLATION'S STRUCTURAL INTEGRITY.