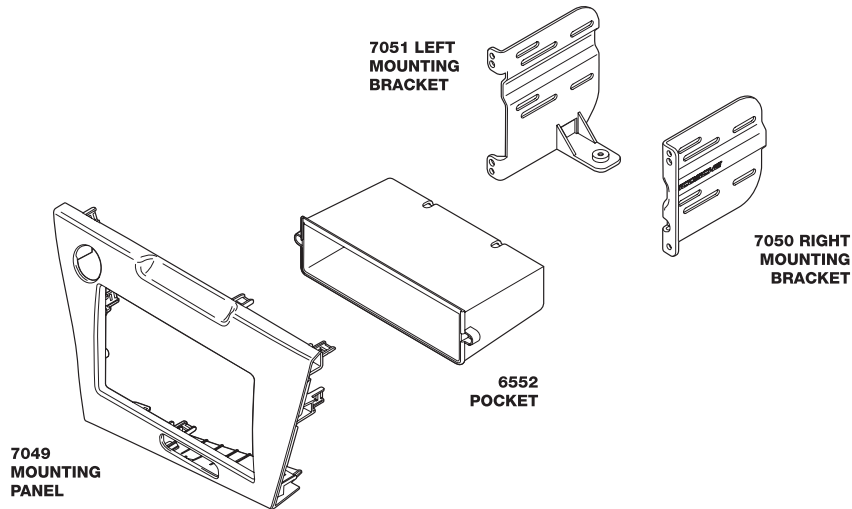


**IN-DASH STEREO INSTALLATION KIT FOR
2011 HONDA CR-Z
(WITHOUT FACTORY NAVIGATION)**



INTRODUCTION / PRELIMINARY

This premium installation kit is for 2011 Honda CR-Z vehicles. Included are all the parts you need to mount your car stereo or CD player into your vehicle's dash. Refer to the individual instruction in this manual to remove your vehicle's factory radio and assemble the kit.

CAUTION

Disconnect your vehicle's negative battery terminal before the installation to help prevent electrical damage. We recommend the use of a volt/ohm meter over a test light to check wiring. A test light or grounded wire probe can cause damage to the vehicle's computer and/or diagnostic systems. Avoid all factory airbag wiring - airbags can accidentally deploy causing serious injury or death.

NOTES

- See your vehicle's instructions for any special tools your installation might require.
- Read all instructions accompanying your car stereo for proper wiring and mounting instructions.

FACTORY WIRING CODES

For Factory Wiring Codes go to: www.scosche-cars.com

CAR STEREO CONNECTORS	
HA11B PROVIDE EASY CONNECTION OF YOUR CAR STEREO TO FACTORY WIRING HARNESS. 2008-Up Honda	HAA2B 2006-Up Honda Antenna Adapter

LIABILITY DISCLAIMER

This instruction booklet is based on carefully documented data and research of automobile dash disassembly, wire harness/ codes and information pertaining to installation of this kit (HA1712B) in 2011 Honda CR-Z vehicles. Scosche Industries, Inc. can not be held responsible for discrepancies/inconsistencies that may occur due to the automobile manufacturing changes or options, or damage that may occur in the automobile during the installation of components while using this booklet.

If you have any further questions, call our toll free technical help line at: **1-800-621-3695x3**

FACTORY STEREO REMOVAL

2011 HONDA CR-Z

1. Use a panel removal tool to unclip the upper panel in the pocket below stereo, unplug and remove.
2. Extract (1) 8mm bolt on bottom side of stereo.
3. Use a panel removal tool to unclip the stereo.
4. Pull stereo out, unplug harness and antenna, then remove stereo.

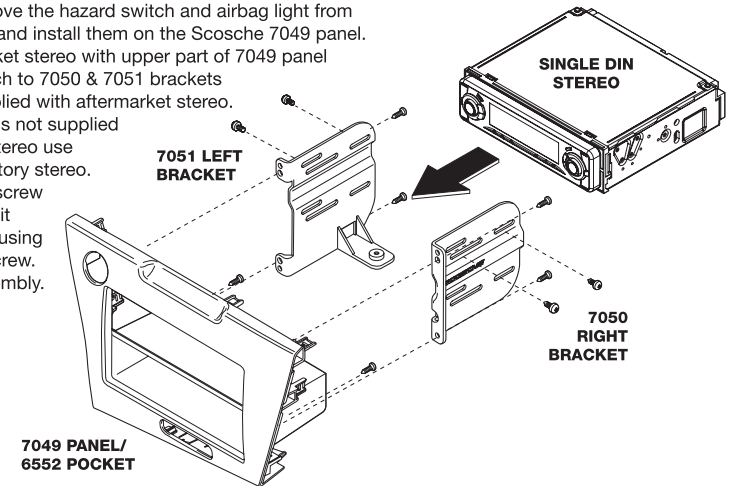
MOUNTING THE STEREO

SINGLE DIN-ISO MOUNT

1. Align 6552 pocket to bottom of 7049 panel opening and attach to the panel using (2) supplied screws.
2. Attach the 7050 & 7051 brackets to 7049 panel using (4) screws supplied.
3. Unscrew and remove the hazard switch and airbag light from the factory panel, and install them on the Scosche 7049 panel.
4. Align the aftermarket stereo with upper part of 7049 panel opening, and attach to 7050 & 7051 brackets using screws supplied with aftermarket stereo.

Note: If hardware is not supplied with aftermarket stereo use hardware from factory stereo.

5. Reconnect radio, screw and secure radio kit assembly to dash using (1) Phillips head screw.
6. Finish dash reassembly.

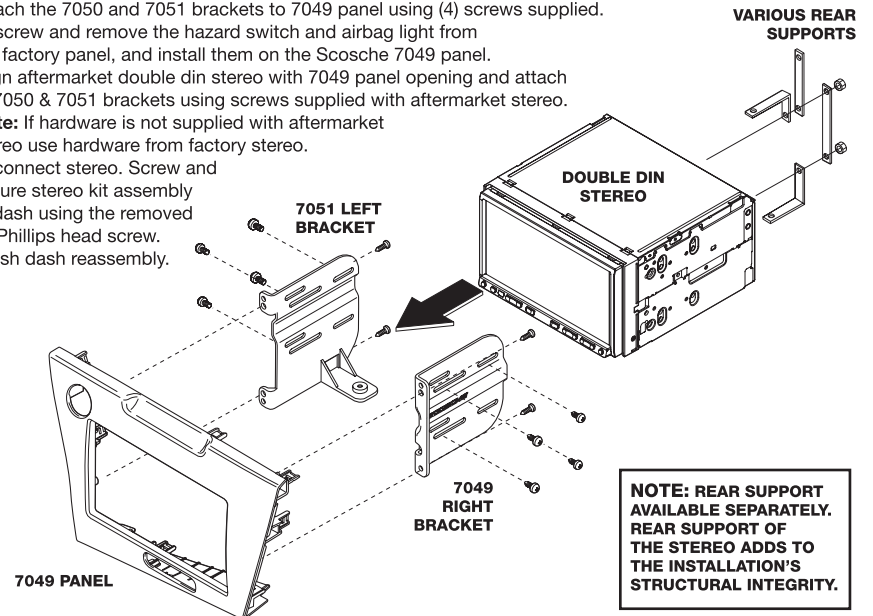


DOUBLE DIN-ISO MOUNT

1. Attach the 7050 and 7051 brackets to 7049 panel using (4) screws supplied.
2. Unscrew and remove the hazard switch and airbag light from the factory panel, and install them on the Scosche 7049 panel.
3. Align aftermarket double din stereo with 7049 panel opening and attach to 7050 & 7051 brackets using screws supplied with aftermarket stereo.

Note: If hardware is not supplied with aftermarket stereo use hardware from factory stereo.

4. Reconnect stereo. Screw and secure stereo kit assembly to dash using the removed (1) Phillips head screw.
5. Finish dash reassembly.



NOTE: REAR SUPPORT AVAILABLE SEPARATELY. REAR SUPPORT OF THE STEREO ADDS TO THE INSTALLATION'S STRUCTURAL INTEGRITY.