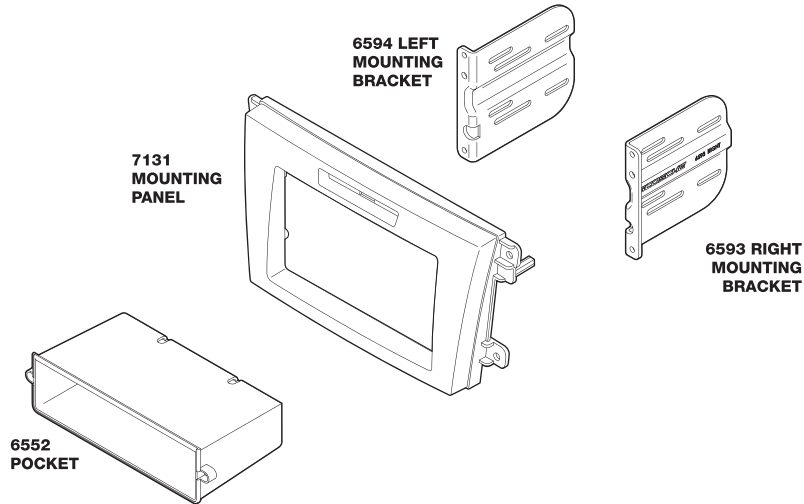


**IN-DASH STEREO INSTALLATION KIT FOR  
2010-UP MAZDA CX-7**



**INTRODUCTION/PRELIMINARY**

This premium installation kit is for 2010-Up Mazda CX-7 vehicles. Included are all the parts you need to mount your car stereo or CD player into your vehicle's dash. Refer to the individual instruction in this manual to remove your vehicle's factory radio and assemble the kit.

**CAUTION**  
DISCONNECT YOUR VEHICLE'S NEGATIVE BATTERY TERMINAL BEFORE THE INSTALLATION TO HELP PREVENT ELECTRICAL DAMAGE. WE RECOMMEND THE USE OF A VOLT/OHM METER OVER A TEST LIGHT TO CHECK WIRING. A TEST LIGHT OR GROUNDED WIRE PROBE CAN CAUSE DAMAGE TO THE VEHICLE'S COMPUTER AND/OR DIAGNOSTIC SYSTEMS. AVOID ALL FACTORY AIRBAG WIRING - AIRBAGS CAN ACCIDENTALLY DEPLOY CAUSING SERIOUS INJURY OR DEATH.

- NOTES**
- See your vehicle's instructions for any special tools your installation might require.
  - Read all instructions accompanying your car stereo for proper wiring and mounting instructions.

**FACTORY WIRING CODES**

For Factory Wiring Codes go to: [www.scosche-cars.com](http://www.scosche-cars.com)

**CAR STEREO CONNECTORS**

PROVIDE EASY CONNECTION OF YOUR CAR STEREO TO FACTORY WIRING HARNESS.

<b>MAO3B</b> 2000-Up Mazda Power/speaker	<b>HAAB</b> 2005-up Honda Antenna Adapter
--	---



**LIABILITY DISCLAIMER**

This instruction booklet is based on carefully documented data and research of automobile dash disassembly, wire harness/codes and information pertaining to installation of this kit (MA1546B) in 2010-Up Mazda CX-7 vehicles. Scosche Industries, Inc. cannot be held responsible for discrepancies/inconsistencies that may occur due to the automobile manufacturing changes or options, or damage that may occur in the automobile during the installation of components while using this booklet.

If you have any further questions, call our toll free technical help line at: **1-800-621-3695x3**

**FACTORY STEREO REMOVAL**

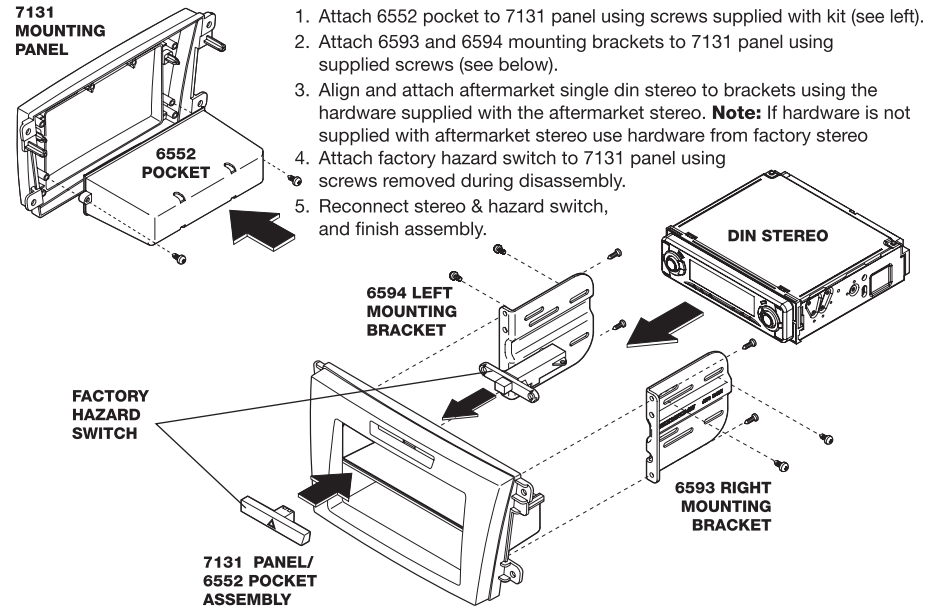
**2010-UP MAZDA CX-7**

1. With panel removal tool, unclip left and right side trim pieces and remove.
2. Extract (2) Phillips head screws securing stereo bezel.
3. With panel removal tool, unclip stereo bezel, disconnect and remove.
4. Extract (4) Phillips head screws and (1) 10mm screw securing stereo, unplug and remove.
5. Unplug and unscrew hazard switch from backside of factory stereo, and carefully pry off button. Retain switch, button and screws for reassembly.

**MOUNTING THE STEREO**

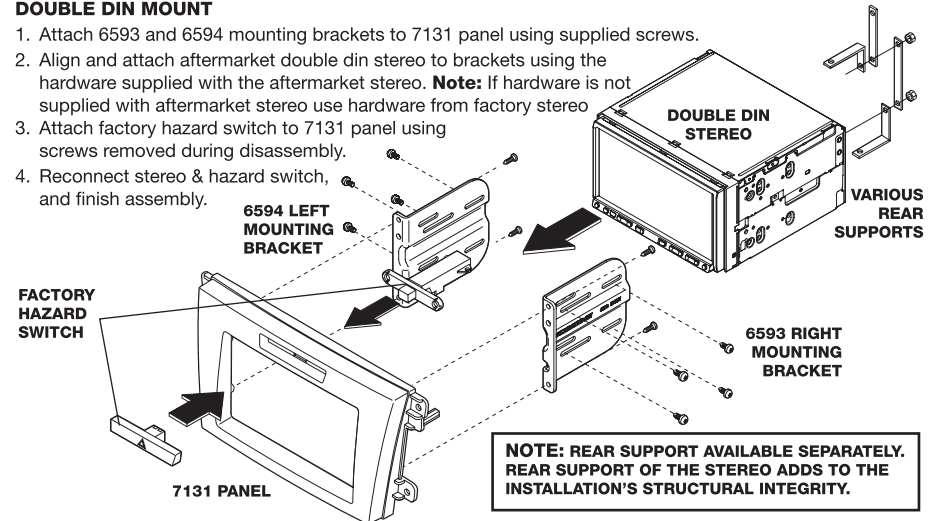
**SINGLE DIN MOUNT**

1. Attach 6552 pocket to 7131 panel using screws supplied with kit (see left).
2. Attach 6593 and 6594 mounting brackets to 7131 panel using supplied screws (see below).
3. Align and attach aftermarket single din stereo to brackets using the hardware supplied with the aftermarket stereo. **Note:** If hardware is not supplied with aftermarket stereo use hardware from factory stereo
4. Attach factory hazard switch to 7131 panel using screws removed during disassembly.
5. Reconnect stereo & hazard switch, and finish assembly.



**DOUBLE DIN MOUNT**

1. Attach 6593 and 6594 mounting brackets to 7131 panel using supplied screws.
2. Align and attach aftermarket double din stereo to brackets using the hardware supplied with the aftermarket stereo. **Note:** If hardware is not supplied with aftermarket stereo use hardware from factory stereo
3. Attach factory hazard switch to 7131 panel using screws removed during disassembly.
4. Reconnect stereo & hazard switch, and finish assembly.



**NOTE: REAR SUPPORT AVAILABLE SEPARATELY. REAR SUPPORT OF THE STEREO ADDS TO THE INSTALLATION'S STRUCTURAL INTEGRITY.**