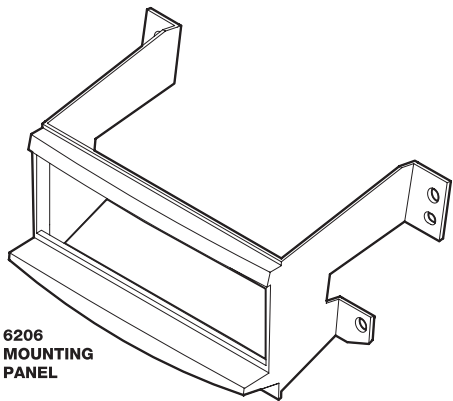


**IN-DASH DIN RADIO INSTALLATION KIT FOR 2005-UP TOYOTA AVALON**



**6206 MOUNTING PANEL**

**INTRODUCTION / PRELIMINARY**

This premium installation kit is for 2005-Up Toyota Avalon vehicles. Included are all the parts you need to mount your car stereo or CD player into your vehicle's dash. Refer to the individual instruction in this manual to remove your vehicle's factory radio and assemble the kit.

**CAUTION**  
DISCONNECT YOUR VEHICLE'S NEGATIVE BATTERY TERMINAL BEFORE THE INSTALLATION TO HELP PREVENT ELECTRICAL DAMAGE. WE RECOMMEND THE USE OF A VOLT/OHN METER OVER A TEST LIGHT TO CHECK WIRING. A TEST LIGHT OR GROUNDED WIRE PROBE CAN CAUSE DAMAGE TO THE VEHICLE'S COMPUTER AND/OR DIAGNOSTIC SYSTEMS. AVOID ALL FACTORY AIRBAG WIRING - AIRBAGS CAN ACCIDENTALLY DEPLOY CAUSING SERIOUS INJURY OR DEATH.

- NOTES**
- See your vehicle's instructions for any special tools your installation might require.
  - Read all instructions accompanying your car stereo for proper wiring and mounting instructions.

**FACTORY WIRING CODES**

For Factory Wiring Codes go to: [www.scosche-cars.com](http://www.scosche-cars.com)

**CAR STEREO CONNECTORS**

PROVIDE EASY CONNECTION OF YOUR CAR STEREO TO FACTORY WIRING HARNESS.

**TAO7SR**  
2003-UP Toyota Stereo Replacement Interface FOR JBL SYNTHESIS SYSTEM

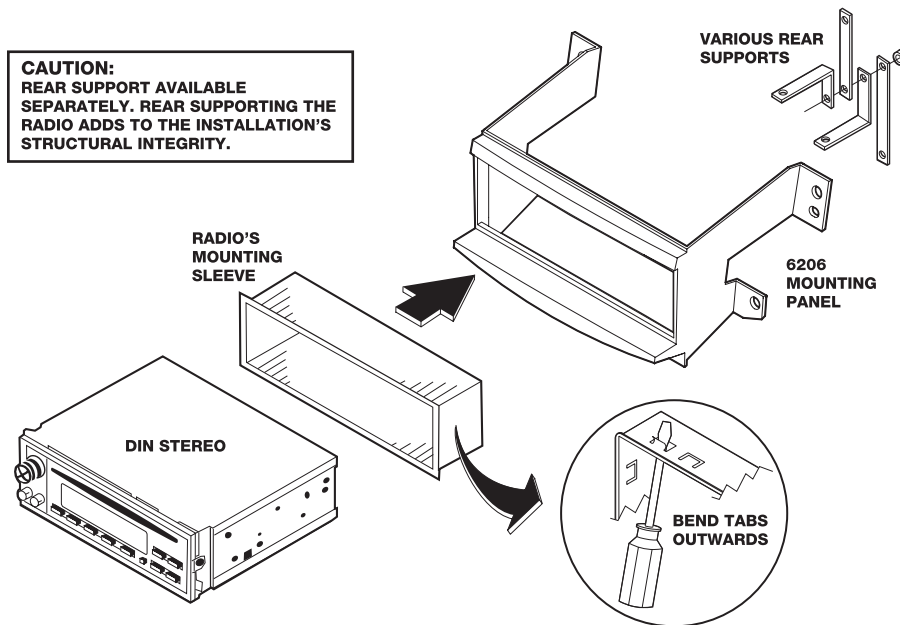


**MOUNTING THE STEREO**

**DIN MOUNT**

1. Slide DIN sleeve into kit from front.
2. Bend all available mounting tabs outward to lock DIN sleeve to panel.
3. Slide stereo into DIN sleeve until snaps into place.

**CAUTION:**  
REAR SUPPORT AVAILABLE SEPARATELY. REAR SUPPORTING THE RADIO ADDS TO THE INSTALLATION'S STRUCTURAL INTEGRITY.



**STEREO REMOVAL**

**2005-UP TOYOTA AVALON**

1. Using panel removal tool, remove the small trim piece from the left side of the panel above the steering wheel.
2. Using panel removal tool, remove panel above steering wheel.
3. Using panel removal tool, remove entire panel that surrounds radio including AC controls.
4. Extract the four (4) hex head bolts securing factory radio. Lift away disconnect and remove.

**LIABILITY DISCLAIMER**

This instruction booklet is based on carefully documented data and research of automobile dash disassembly, wire harness/codes and information pertaining to installation of this kit (TA2086B) in 2005-Up Toyota Avalon Vehicles. Scosche Industries, Inc. can not be held responsible for discrepancies/inconsistencies that may occur due to the automobile manufacturing changes or options, or damage that may occur in the automobile during the installation of components while using this booklet.



**IMPORTANT!**

*Do Not Return Product to the Retailer!*

**IF YOU NEED ASSISTANCE OR REPLACEMENT PARTS**

*Call us FIRST at . . .*

**1-800-621-3695 ext 3**

**Toll Free, No-Charge tech support**

- FRIENDLY CUSTOMER SERVICE TECHNICIANS
- YOU WON'T BE ON HOLD LONGER THAN 5 MINUTES

OUR HOURS ARE:

*Monday - Friday 8:00 a.m. to 5:30 p.m. (PST)*

*Saturday 8:00 a.m. to 2:00 p.m. (PST)*

