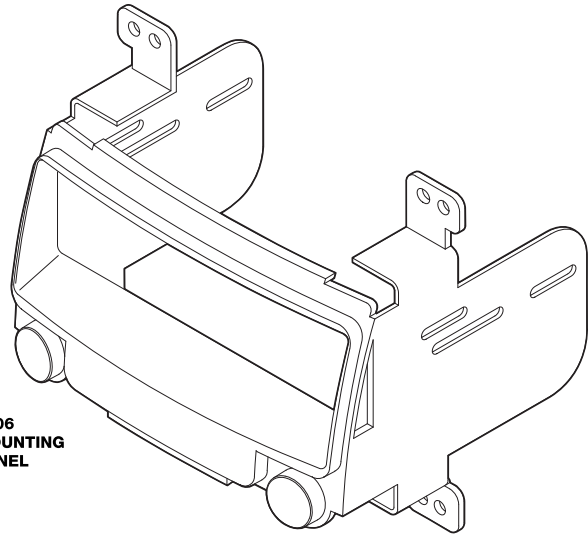


**IN-DASH STEREO INSTALLATION KIT FOR
2009-UP HYUNDAI ELANTRA TOURING**



**6806
MOUNTING
PANEL**

INTRODUCTION/PRELIMINARY

This premium installation kit is for 2009-UP Hyundai Elantra Touring vehicles. Included are all the parts you need to mount your car stereo or CD player into your vehicle's dash. Refer to the individual instruction in this manual to remove your vehicle's factory radio and assemble the kit.

CAUTION
DISCONNECT YOUR VEHICLE'S NEGATIVE BATTERY TERMINAL BEFORE THE INSTALLATION TO HELP PREVENT ELECTRICAL DAMAGE. WE RECOMMEND THE USE OF A VOLT/OHM METER OVER A TEST LIGHT TO CHECK WIRING. A TEST LIGHT OR GROUNDED WIRE PROBE CAN CAUSE DAMAGE TO THE VEHICLE'S COMPUTER AND/OR DIAGNOSTIC SYSTEMS. AVOID ALL FACTORY AIRBAG WIRING - AIRBAGS CAN ACCIDENTALLY DEPLOY CAUSING SERIOUS INJURY OR DEATH.

- NOTES**
- See your vehicle's instructions for any special tools your installation might require.
 - Read all instructions accompanying your car stereo for proper wiring and mounting instructions.

LIABILITY DISCLAIMER

This instruction booklet is based on carefully documented data and research of automobile dash disassembly, wire harness/codes and information pertaining to installation of this kit (HY1623B) in 2009-UP Hyundai Elantra Touring vehicles. Scosche Industries, Inc. cannot be held responsible for discrepancies/inconsistencies that may occur due to the automobile manufacturing changes or options, or damage that may occur in the automobile during the installation of components while using this booklet.

If you have any further questions, call our toll free technical help line at: **1-800-621-3695x3**

FACTORY WIRING CODES

For Factory Wiring Codes go to: www.scosche-cars.com

CAR STEREO CONNECTORS

PROVIDE EASY CONNECTION OF YOUR CAR STEREO TO FACTORY WIRING HARNESS.

HY10B 2009-up Hyundai (non-amplified Aux-in)

HY11B 2009-up Hyundai (amplified Aux-in)

KAAB Antenna Adapter



HY10B

HY11B

KAAB

FACTORY STEREO REMOVAL

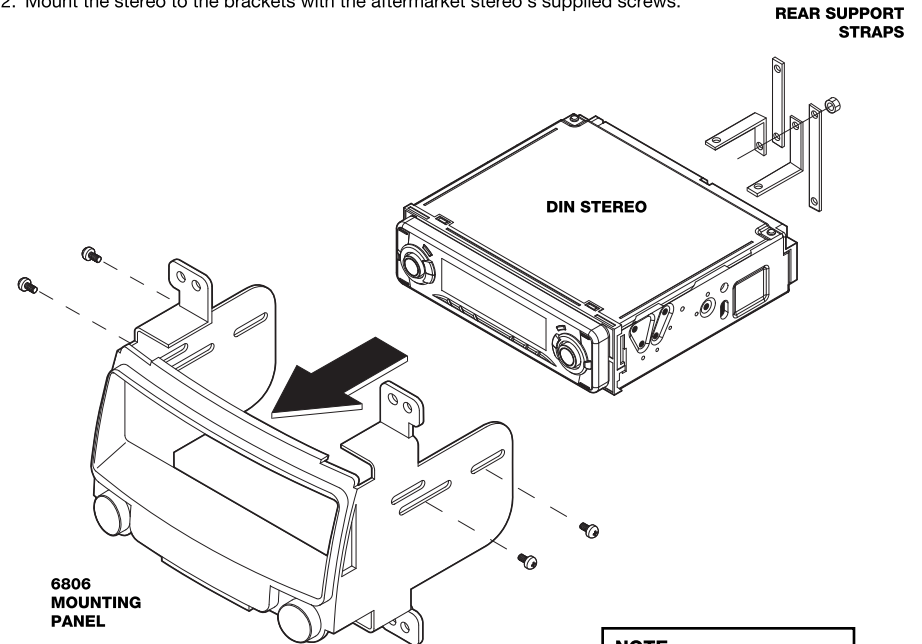
2009-UP HYUNDAI ELANTRA TOURING

1. Remove the (2) Phillips head screws from the pocket above the stereo.
2. Using a panel removal tool, remove the pocket above the stereo.
3. Remove (1) Phillips head screw from the top rear of the stereo/AC surround panel.
4. Using a panel removal tool, unsnap the stereo/AC surround panel and remove.
5. Remove the (4) Phillips head screws from the stereo and remove the stereo.

MOUNTING THE STEREO

SINGLE DIN ISO MOUNT

1. Align the Single DIN head unit with the mounting brackets on the 6806 kit panel.
2. Mount the stereo to the brackets with the aftermarket stereo's supplied screws.



**6806
MOUNTING
PANEL**

DIN STEREO

**REAR SUPPORT
STRAPS**

NOTE:
REAR SUPPORT
AVAILABLE SEPARATELY.
REAR SUPPORTING
THE STEREO ADDS TO
THE INSTALLATION'S
STRUCTURAL INTEGRITY.