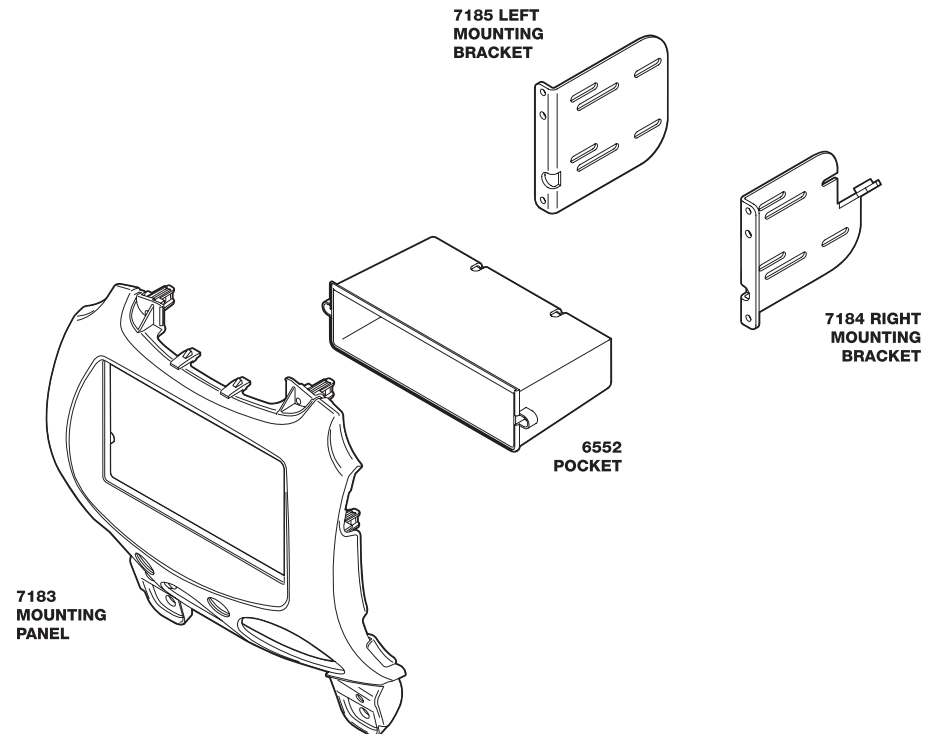


**IN-DASH STEREO INSTALLATION KIT FOR  
2011 MAZDA 2****LIABILITY DISCLAIMER**

This instruction booklet is based on carefully documented data and research of automobile dash disassembly, wire harness/codes and information pertaining to installation of this kit (MA1547B) in 2011 Mazda 2 vehicles. Scosche Industries, Inc. cannot be held responsible for discrepancies/inconsistencies that may occur due to the automobile manufacturing changes or options, or damage that may occur in the automobile during the installation of components while using this booklet.

If you have any further questions, call our toll free technical help line at: **1-800-621-3695x3**

## INTRODUCTION/PRELIMINARY

This premium installation kit is for 2011 Mazda 2 vehicles. Included are all the parts you need to mount your car stereo or CD player into your vehicle's dash. Refer to the individual instruction in this manual to remove your vehicle's factory radio and assemble the kit.

### CAUTION

**DISCONNECT YOUR VEHICLE'S NEGATIVE BATTERY TERMINAL BEFORE THE INSTALLATION TO HELP PREVENT ELECTRICAL DAMAGE. WE RECOMMEND THE USE OF A VOLT/OHM METER OVER A TEST LIGHT TO CHECK WIRING. A TEST LIGHT OR GROUNDED WIRE PROBE CAN CAUSE DAMAGE TO THE VEHICLE'S COMPUTER AND/OR DIAGNOSTIC SYSTEMS. AVOID ALL FACTORY AIRBAG WIRING - AIRBAGS CAN ACCIDENTALLY DEPLOY CAUSING SERIOUS INJURY OR DEATH.**

### NOTES

- See your vehicle's instructions for any special tools your installation might require.
- Read all instructions accompanying your car stereo for proper wiring and mounting instructions.

## FACTORY WIRING CODES

For Factory Wiring Codes go to: [www.scosche-cars.com](http://www.scosche-cars.com)

### CAR STEREO CONNECTORS

PROVIDE EASY CONNECTION OF YOUR CAR STEREO TO FACTORY WIRING HARNESS.

#### MA03B

2000-Up Mazda  
Power/speaker

#### HAAB

2005-up Honda  
Antenna Adapter

MA03B



HAAB



## FACTORY STEREO REMOVAL

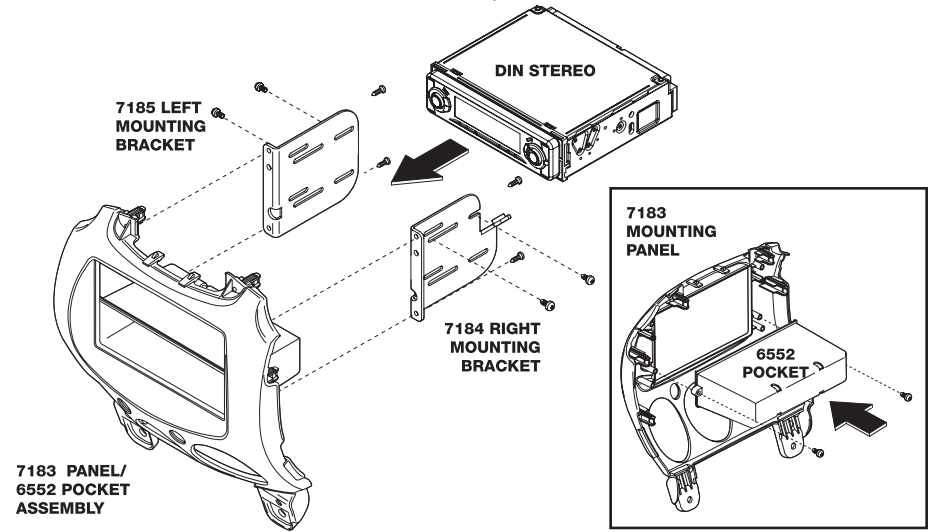
### 2011 MAZDA 2

1. Use panel removal tool (PRT) to unclip bezel around shifter and remove.
2. Use pick to remove clip from from passenger-side dash panel.
3. Use PRT to unclip passenger side panel and remove.
4. Extract (1) Phillips head screw revealed once passenger side panel is removed.
5. Repeat steps 2-5 on driver's side of dash.
6. Use PRT to unclip panel below shifter and remove.
7. Extract (2) Phillips head screws located below the A/C controls.
8. Squeeze sides of glove box, lower and remove.
9. Use PRT to unclip passenger-side sill plate and remove.
10. Use flat head screwdriver to remove plastic screw on passenger-side kick panel and remove.
11. Remove gasket from around the passenger-side kick panel.
12. Use PRT to unclip passenger kick panel and remove.
13. Use PRT to unclip the trim surrounding the glove box opening and remove.
14. Use PRT to unclip driver-side sill plate and remove.
15. Use pick to remove clip from driver-side kick panel.
16. Remove gasket from around the driver-side kick panel.
17. Use PRT to unclip driver-side kick panel and remove.
18. Use PRT to unclip panel located left of the steering column. Unplug traction control and remove panel.
19. Use pick to push down center tab on hood release to remove.
20. Extract (1) Phillips head screw located behind the hood release that was just removed.
21. Use PRT to unclip driver-side lower dash panel. Use PRT to remove OBD 2 and remove panel.
22. Remove hidden 10mm bolt located on right side of factory stereo (bolt can be seen through the glove box opening).
23. Use PRT to loosen factory stereo. Once stereo is out unplug harness and antenna, then remove.
24. Carefully unsnap and remove hazard light switch from top of factory mounting panel.

## MOUNTING THE STEREO

### SINGLE DIN MOUNT

1. Attach 6552 pocket to 7183 panel using screws supplied with kit (see inset).
2. Attach 7184 and 7185 mounting brackets to 7183 panel using supplied screws.
3. Align and attach aftermarket single din stereo to brackets using the hardware supplied with the aftermarket stereo. **Note:** If hardware is not supplied with aftermarket stereo use hardware from factory stereo.
4. Attach factory hazard switch to top of 7183 panel.
5. Reconnect stereo & hazard switch, and finish assembly.



### DOUBLE DIN MOUNT

1. Attach 7184 and 7185 mounting brackets to 7183 panel using supplied screws.
2. Align and attach aftermarket single din stereo to brackets using the hardware supplied with the aftermarket stereo. **Note:** If hardware is not supplied with aftermarket stereo use hardware from factory stereo.
3. Attach factory hazard switch to top of 7183 panel.
4. Reconnect stereo & hazard switch, and finish assembly.

