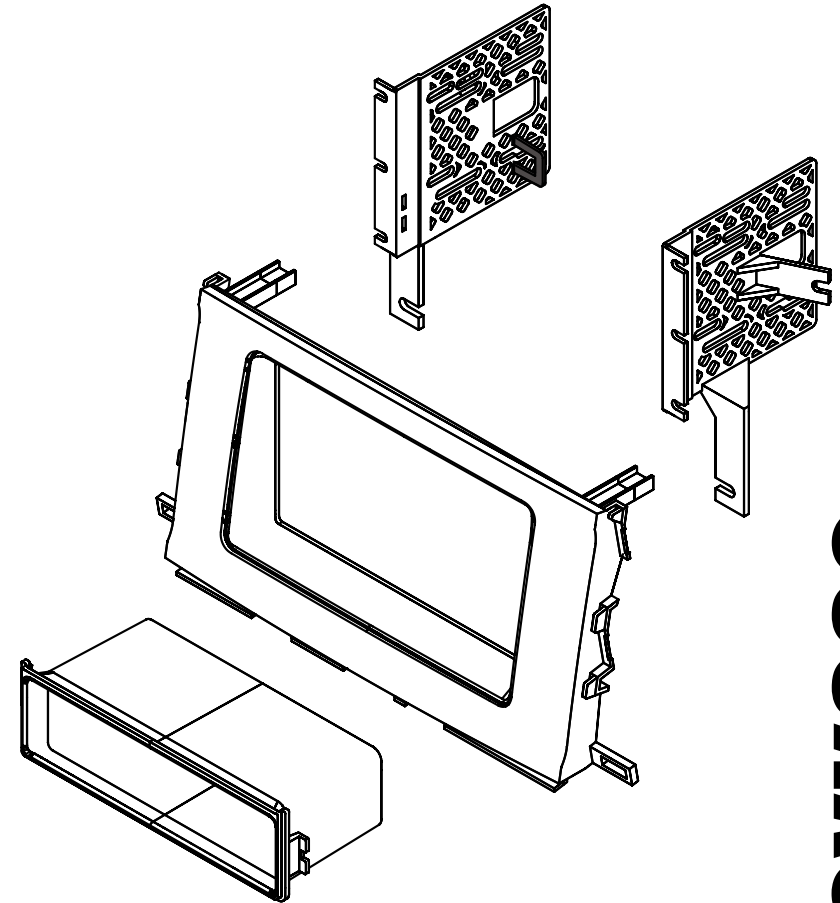




**American  
International**  
*Car Stereo Installation Kits & Accessories*



# TOYK990 Mounting Kit

WWW.AIUS.NET  
2500 East Francis Street Ontario, CA 91761, U.S.A.  
USA Sales (800) 336-6500  
Canada Sales (888) 922-3006

## VEHICLE APPLICATION

**Toyota**  
2014-16      HIGHLANDER

**CUSTOMER HELP LINE**  
USA 800-323-4329 • Canada 800-245-8777

iTOYK990

## DASH DISASSEMBLY & RADIO REMOVAL

1. Using a soft tool, carefully unclip center dash trim from the passenger side to below the radio, which includes the climate controls. Unplug harness and remove. See "A" in Photo.
2. Using a soft tool, carefully unclip dash trim from the passenger side air vent to above the radio and clock. Remove. See "B" in Photo.
3. Carefully unclip the 2 air vents to the left and right of the radio, and remove. See "C" in Photo.
4. Remove (2) bolts from the bottom and (2) bolts from the sides of the OEM Radio.
5. Unclip the OEM radio and unplug all harness. Remove.

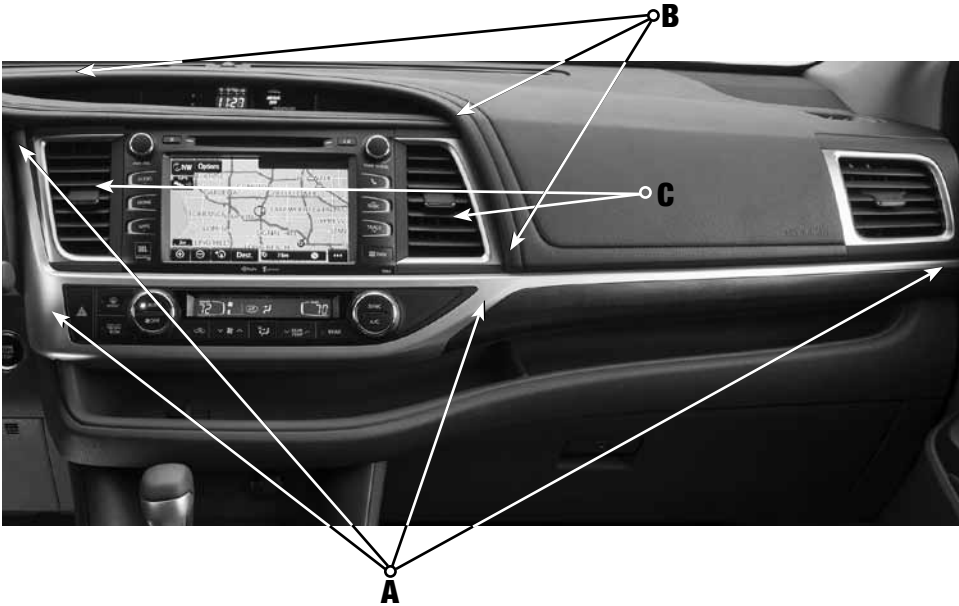
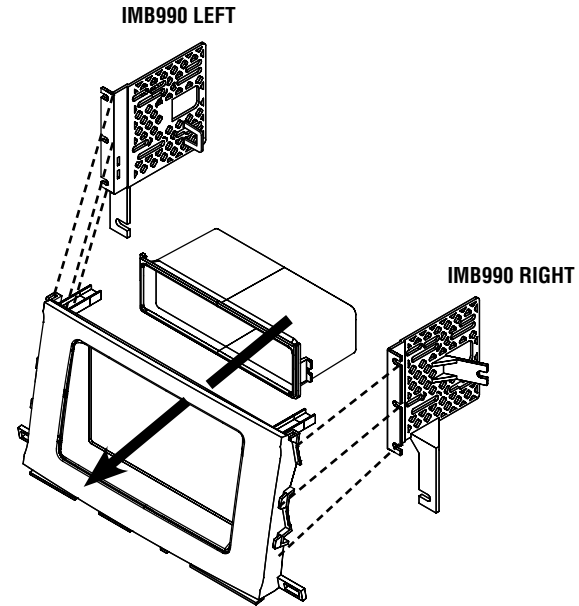


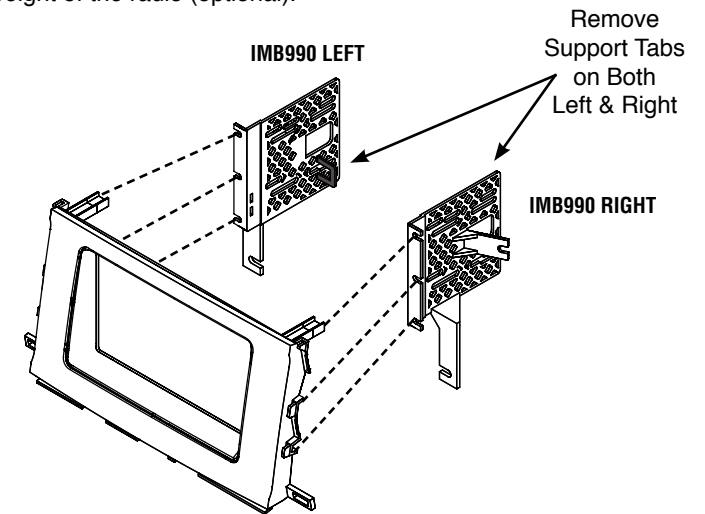
Fig A



### Double DIN Mount Applications

1. Install brackets to rear of main frame using the 6 screws provided. (Do Not Over tighten).
2. Insert ISO mountable radio between ISO mount brackets and loosely attach to sides of radio using screws provided with radio when possible or screws supplied with kit.
3. Slide radio forward or backward for desired look and tighten screws.
4. Attach a rear support bracket to the rear of the new radio and adjust as necessary to support the weight of the radio (optional).

Fig B



## KIT ASSEMBLY INSTRUCTIONS

### Single ISO Mount Applications

1. This kit is an (ISO) mounting kit only.
2. Insert pocket into lower section of the mounting brackets, snap into slots.
3. Install brackets to rear of main frame using the 6 screws provided. (Do Not Over tighten).
4. Insert ISO mountable radio between ISO mount brackets and loosely attach to sides of radio using screws provided with radio when possible or screws supplied with kit.
5. Slide radio forward or backward for desired look and tighten screws.
6. Attach a rear support bracket to the rear of the new radio and adjust as necessary to support the weight of the radio (optional).