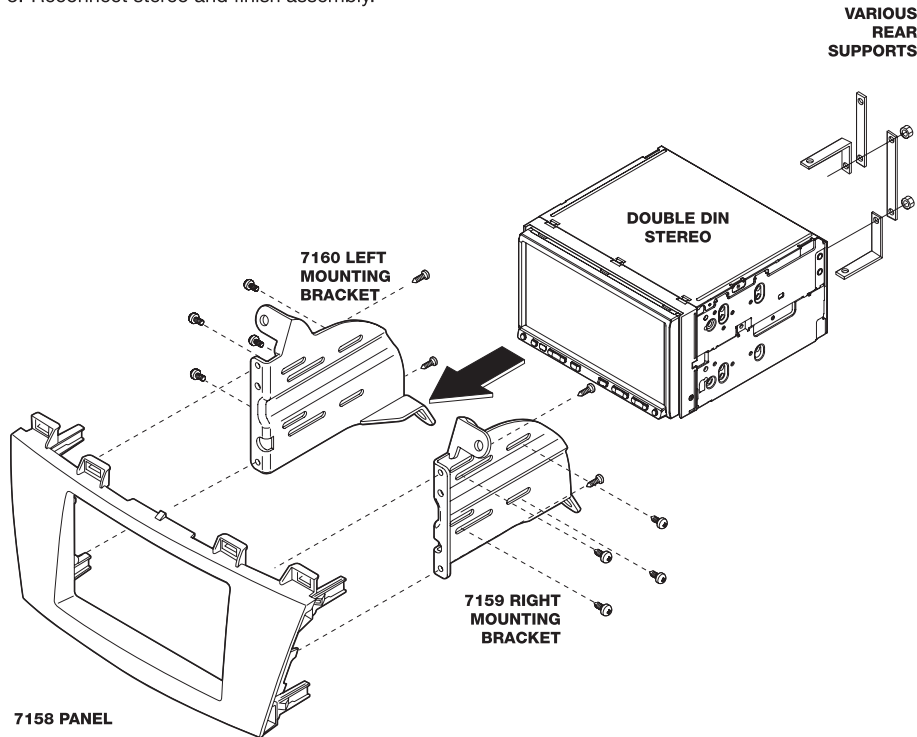


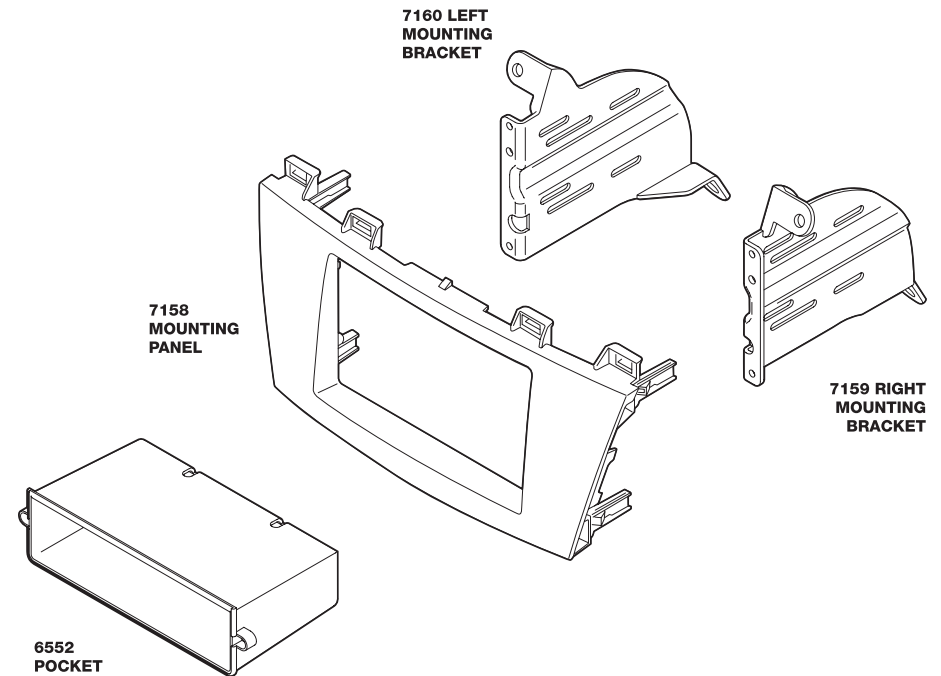
**DOUBLE DIN MOUNT**

1. Attach 7159 and 7160 mounting brackets to 7158 panel using supplied screws.
2. Align and attach aftermarket double din stereo to brackets using the hardware supplied with the aftermarket stereo. **Note:** If hardware is not supplied with aftermarket stereo use hardware from factory stereo
3. Reconnect stereo and finish assembly.



**NOTE: REAR SUPPORT AVAILABLE SEPARATELY. REAR SUPPORT OF THE STEREO ADDS TO THE INSTALLATION'S STRUCTURAL INTEGRITY.**

**IN-DASH STEREO INSTALLATION KIT FOR 2012-UP MAZDA 5**



**LIABILITY DISCLAIMER**

This instruction booklet is based on carefully documented data and research of automobile dash disassembly, wire harness/codes and information pertaining to installation of this kit (MA1548B) in 2012-Up Mazda 5 vehicles. Scosche Industries, Inc. cannot be held responsible for discrepancies/inconsistencies that may occur due to the automobile manufacturing changes or options, or damage that may occur in the automobile during the installation of components while using this booklet.

If you have any further questions, call our toll free technical help line at: **1-800-621-3695x3**

## INTRODUCTION/PRELIMINARY

This premium installation kit is for 2012-Up Mazda 5 vehicles. Included are all the parts you need to mount your car stereo or CD player into your vehicle's dash. Refer to the individual instruction in this manual to remove your vehicle's factory radio and assemble the kit.

### CAUTION

**DISCONNECT YOUR VEHICLE'S NEGATIVE BATTERY TERMINAL BEFORE THE INSTALLATION TO HELP PREVENT ELECTRICAL DAMAGE. WE RECOMMEND THE USE OF A VOLT/OHM METER OVER A TEST LIGHT TO CHECK WIRING. A TEST LIGHT OR GROUNDED WIRE PROBE CAN CAUSE DAMAGE TO THE VEHICLE'S COMPUTER AND/OR DIAGNOSTIC SYSTEMS. AVOID ALL FACTORY AIRBAG WIRING - AIRBAGS CAN ACCIDENTALLY DEPLOY CAUSING SERIOUS INJURY OR DEATH.**

### NOTES

- See your vehicle's instructions for any special tools your installation might require.
- Read all instructions accompanying your car stereo for proper wiring and mounting instructions.

## FACTORY WIRING CODES

For Factory Wiring Codes go to: [www.scosche-cars.com](http://www.scosche-cars.com)

### CAR STEREO CONNECTORS

PROVIDE EASY CONNECTION OF YOUR CAR STEREO TO FACTORY WIRING HARNESS.

#### MA03B

2000-Up Mazda  
Power/speaker

#### HAAB

2005-up Honda  
Antenna Adapter



## FACTORY STEREO REMOVAL

### 2012-UP MAZDA 5

1. Use panel removal tool (PRT) to unclip cup holder console bezel and remove.
2. Use PRT to unclip AUX/12V socket panel, unplug and remove.
3. Unscrew shift knob and remove. Use PRT to unclip bezel around shifter and remove.
4. Use PRT to remove clip on driver's side front console panel. Use PRT to unclip the front of the panel and remove. Unscrew (1) Phillip's head screw located behind the panel just removed.
5. Use PRT to unclip the passenger's side front console panel and remove. Unscrew (1) Phillip's head screw located behind the panel just removed.
6. Use PRT to remove (4) plastic covers located on the center console. Unscrew (4) Phillip's head screws located behind the covers just removed.
7. Unscrew (2) 8mm bolts on top of the center console.
8. Unplug harness on the center console and remove console.
9. Unscrew (2) Phillip's head screws around shifter.
10. Use PRT to unclip harness, then lower console panel and remove.
11. Unscrew (2) Phillip's head screws on bottom of A/C controls. Push tabs on left and right sides of A/C controls to release controls. Unplug and remove controls.
12. Use PRT to unclip bezel above stereo and remove.
13. Unscrew (3) Phillip's head screws and (1) 10mm bolt securing the stereo. Unplug and remove stereo.

## MOUNTING THE STEREO

### SINGLE DIN MOUNT

1. Attach 6552 pocket to 7158 panel using screws supplied with kit (see left).
2. Attach 7159 and 7160 mounting brackets to 7158 panel using supplied screws (see below).
3. Align and attach aftermarket single din stereo to brackets using the hardware supplied with the aftermarket stereo.  
**Note:** If hardware is not supplied with aftermarket stereo use hardware from factory stereo
4. Reconnect stereo and finish assembly.

