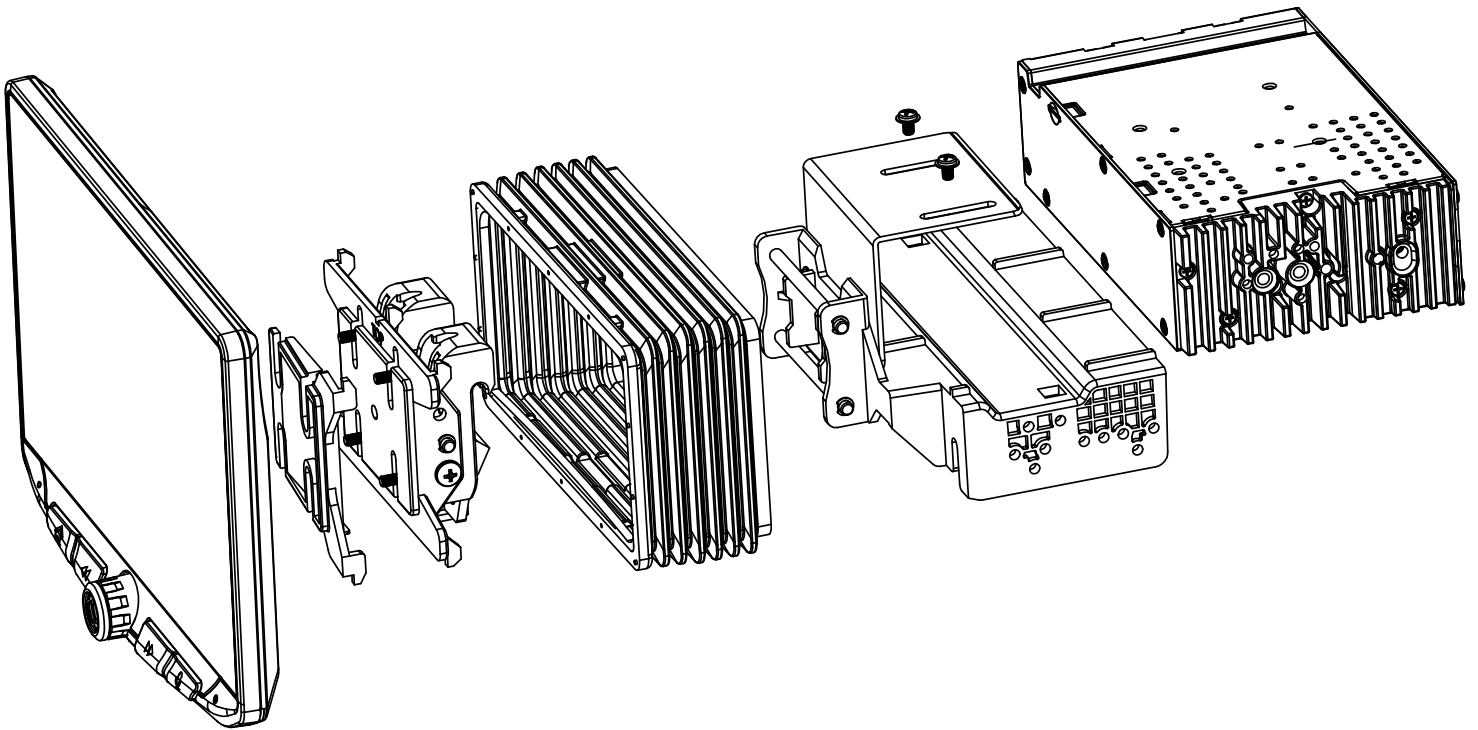


# INSTALLATION GUIDE

10-INCH MODULAR MULTIMEDIA DISPLAY SYSTEM

MODEL NUMBER: UN1810





## PRECAUTIONS

Installation of this product requires technical skill and experience. It is recommended to have it professionally installed by an authorized Stinger / AudioControl / PAC / American International Dealer.

Read entire instructions thoroughly before starting.

Disconnect the vehicle's negative battery cable before making any wire connections.

Protect all vehicle surfaces with tape or plastic

Do not install components in any location that will hinder vehicle operation, such as steering wheel, gearshift, air bags, hazard switch, warning lights.

All wiring should be secured away from sharp edges and moving parts.

**Visit [StingerElectronics.com](http://StingerElectronics.com) for  
User Guide | Install Guides | Updates | Accessories**

### **TECHNICAL SUPPORT:**

727-592-5991

Mon-Fri 9AM-8PM EST

Para servicio técnico en español,

llame al +1 727 205-0436

[support@aampglobal.com](mailto:support@aampglobal.com)

### **CUSTOMER SOLUTIONS:**

800-477-2267

Mon-Fri 9AM-8PM EST

[customersolutions@aampglobal.com](mailto:customersolutions@aampglobal.com)



**Stinger** is a Power Brand of AAMP Global  
15500 Lightwave Drive, Suite 202  
Clearwater, Florida 33760

**AGREEMENT:** End user agrees to use this product in compliance with the instructions and terms of use and with all State and Federal laws. STINGER provides instructions and safety warnings with respect to this product and disclaims all liability for any use not in conjunction with those instructions or other misuse of its product. If you do not agree, please discontinue use and contact STINGER. This product is intended for off-road use and passenger use only.

MODEL NUMBER: UN1810



## INSTALLATION GUIDE

### CONTENTS

Contents.....	3
Parts List.....	4
Hardware Guide.....	5
Pre-Assembly.....	6
Display Assembly.....	7
Mounting Options.....	7
Double DIN Dash Kit Mounting.....	8
Double DIN Sub-Dash Kit Mounting.....	10
Double DIN Factory Bracket Mounting.....	12
Single DIN Dash Kit Mounting.....	14
Final Assembly.....	16
Wiring & Connections.....	17
Dimensions.....	21
Troubleshooting.....	22
Upgrades/Options.....	23

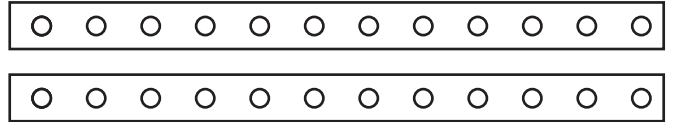
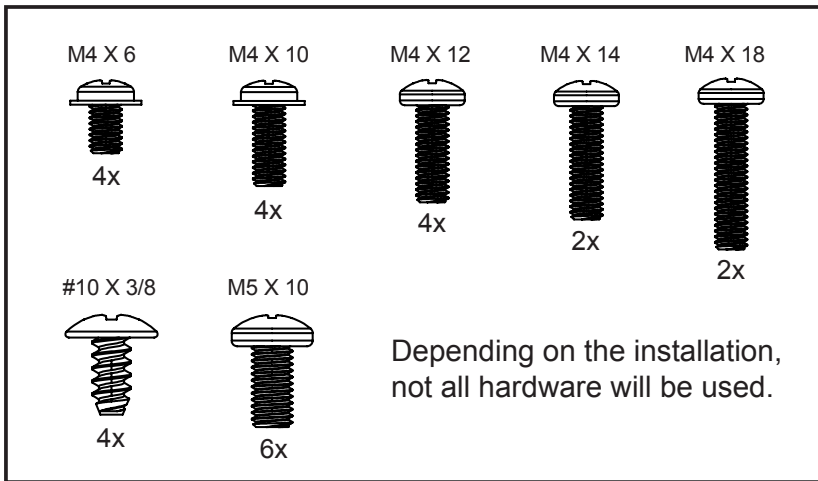
# Parts List

QTY	DESCRIPTION	PART NO
1	Touch Panel Display	UN1810-D
1	Radio Module	UN1810-M
<b>Mounting Brackets / Hardware</b>		
1	Plastic Dash Mounting Bracket	PSE-1000
1	Display Mounting Clamp	
1	Metal Mounting Bracket	
1	Horizontal Display Angle Plate	
1	Rubber Boot	PSE-1001
4	M4 X 6 Screw	PSE-1002
4	M4 X 10 Screw	
4	M4 X 12 Screw	
2	M4 X 14 Screw	
2	M4 x 18 Screw	
6	M5 x 10 Screw	
4	#10 x 3/8 Screw	
2	Backstrap	SE-1003
<b>Cables / Harnesses</b>		
1	8 Pin Display Power Harness - 18in	PSEH-1100
1	LVDS Display Video Cable - 18in	PSEH-1101
1	16 Pin Power / Speaker Harness	PSEH-1102V2
1	24 Pin AV / Rear Camera Harness	PSEH-1103V2
1	10 Pin Multi Camera Harness	PSEH-1104V2
1	6 Pin SWI / IR Harness	PSEH-1105V2
1	4 Pin Mic / Camera Audio Harness	PSEH-1106V2
1	SiriusXM Cable	PSEH-1107V2
1	External Microphone	PSEH-1108
1	GPS Antenna & Mounting Plate	PSEH-1109

## Optional Accessories (SOLD SEPARATELY)

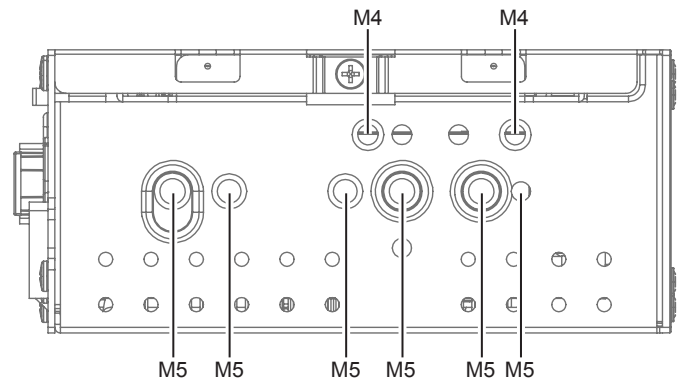
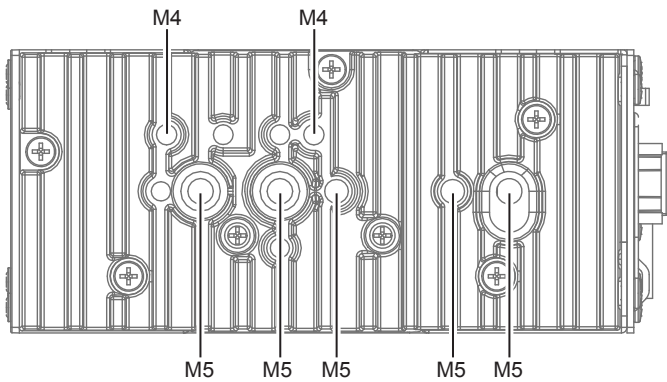
DESCRIPTION	PART NO
IR Remote Control	SE-1500
8 Pin Display Power Harness - 5FT	SE-1501
LVDS Display Video Harness - 5FT	SE-1502
PAC Dash Mount HDMI & USB Extension - 3FT	HDMI-USB-CBL
PAC Dash Mount USB Adaptor - 3FT/6FT	USDMA3 / USBDMA6
Single DIN Mounting Kit	SE-SDIN
Flush Mount Display Housing	SE-HFDK
iGO Navigation North American Map (Micro SD Card)	SE-P14

# Hardware Guide



Note: The Backstrap (SE-1003) can be used in some applications to add additional support or used in custom installations. The backstrap may mount to the sides of the radio chassis using the provided screws in the existing mounting locations or can be mounted directly to the Plastic Dash Mounting Bracket.

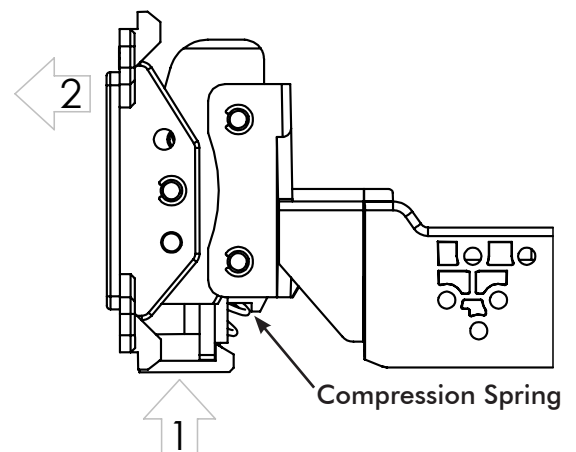
! Only use designated screws as stated in this manual. Using the wrong screws will result in damage to internal components, which is not covered under warranty.



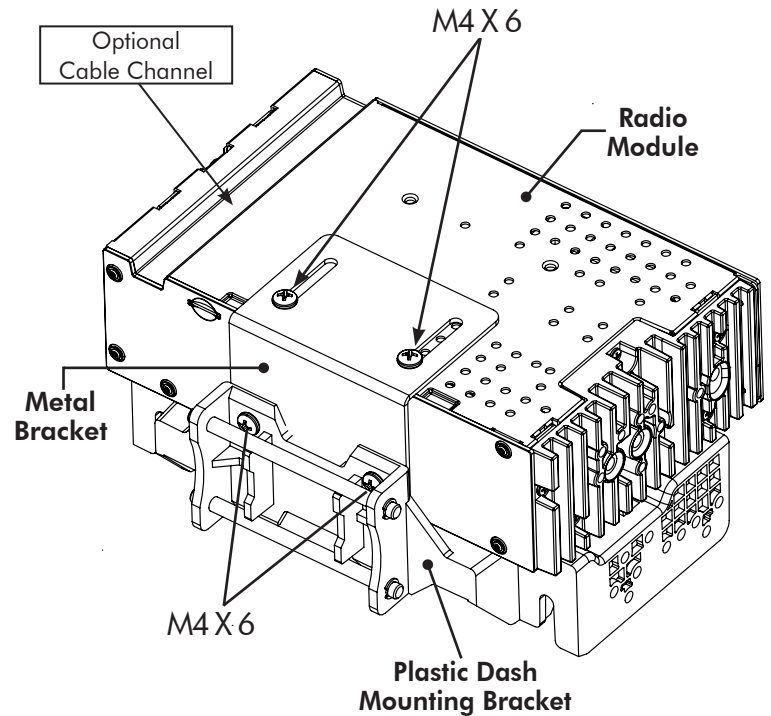
Note: When attaching side brackets that are thinner than 2mm, a washer may be needed to space the screws out for certain mounting holes.

## Installation

**1** Remove the clamp assembly from the plastic mounting bracket by pushing up from compression spring side (1) and swing out to unhook top (2).

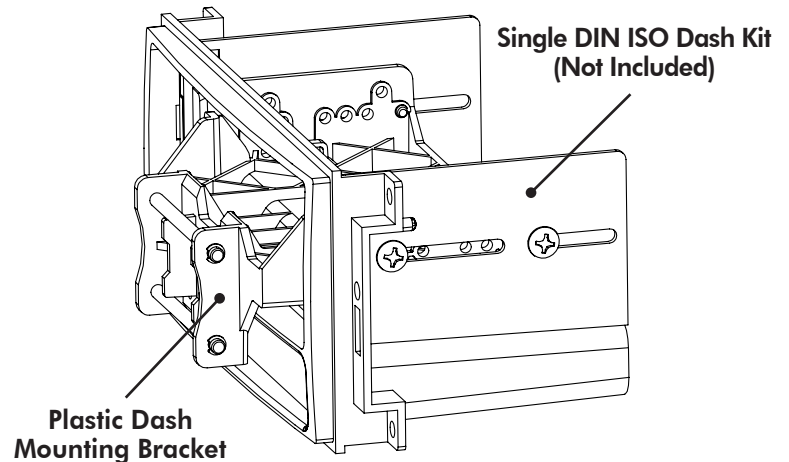


**Double DIN Applications:** Align the slotted holes on the *Metal Bracket* to the top of the *Radio Module* and attach using two M4 X 6 screws. Attach the metal bracket and radio module assembly to the *Plastic Dash Mounting Bracket* using M4 X 6 screws at the locations indicated.



**Single DIN or ISO Applications:** For Single DIN installations, the *Plastic Dash Mounting Bracket* will be mounted in the dash kit or factory brackets and the *Radio Module* will be mounted remotely. Before beginning the installation, determine where the *Radio Module* will be installed and make sure the Display Cables are long enough. Longer, 5 foot cables are available (SE-1501 & SE-1502).

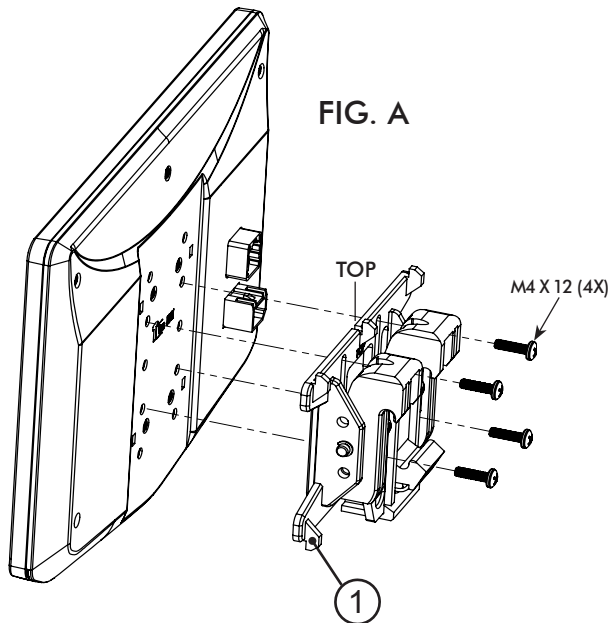
For applications requiring the radio module to be mounted in the single DIN opening, the optional *SE-SDIN* Single DIN ISO Kit should be used.



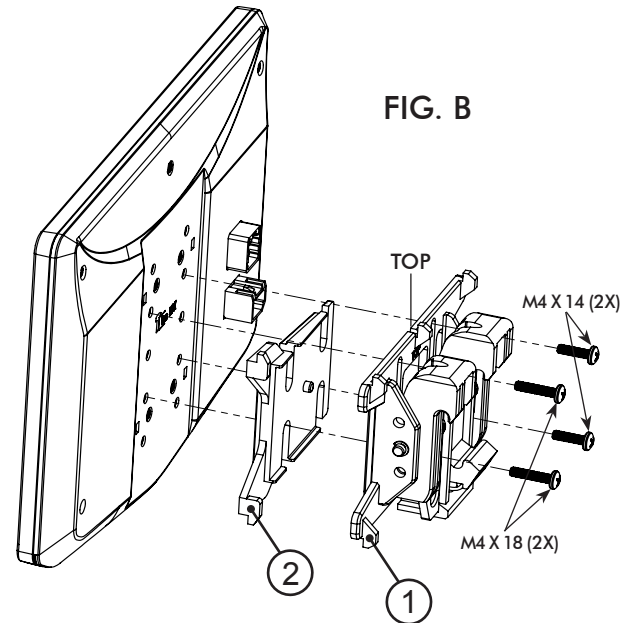
## 3 Display Assembly

The display can be installed Flat or with a Horizontal Angle towards the driver. For flat mounting, attach the Clamp Assembly (1) to the display using M4 X 12 screws (FIG. A). If a horizontal angle is desired, insert the Angle Plate (2) in between the clamp and display and replace 2 of the M4 X 14 screws with longer M4 X 18 screws on the thicker side of the angle plate (FIG. B). Center the bracket on the back of the display as a starting point, and if needed you can adjust up or down.

No Horizontal Angle



With Horizontal Angle



Always ensure TOP indicator on the Clamp Assembly is facing UP.

## Multiple Mounting Options

HEIGH10 can be configured for different mounting applications:

- 4A Using a Double DIN Dash Kit (PAGE 8)
- 4B Using a Double DIN Sub-Dash Kit (PAGE 10)
- 4C Using a Double DIN Factory Radio Mounting Brackets (PAGE 12)
- 4D Using a Single DIN ISO Mountable Dash Kit, relocating Radio Module (PAGE 14)
- ? Custom Mounting Applications.

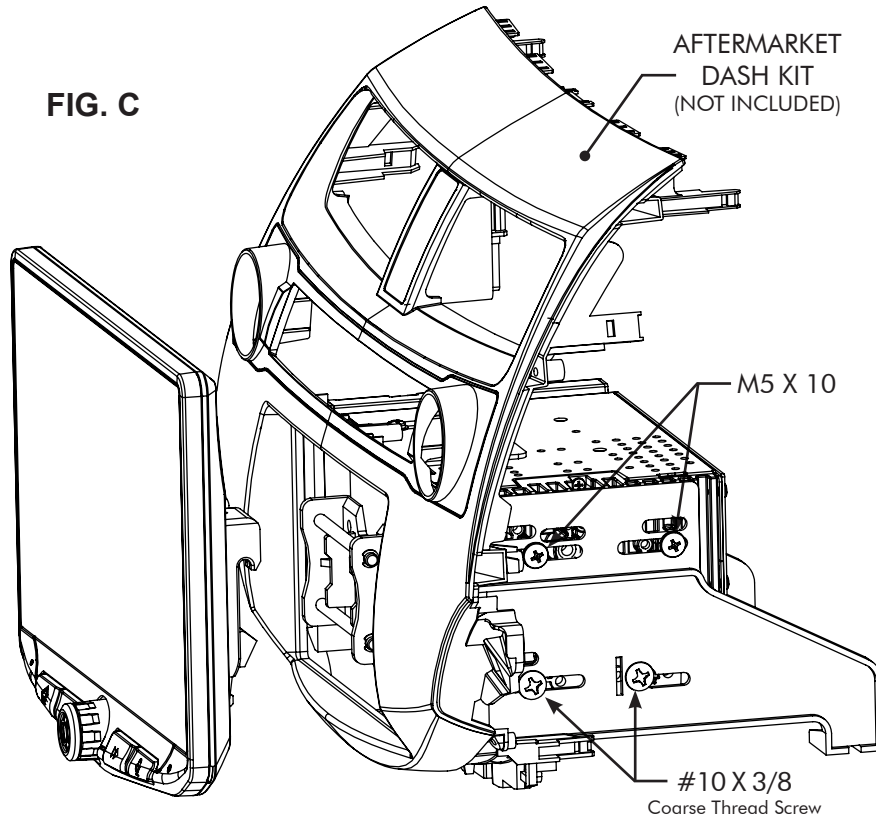
If installing using a PAC Vehicle Specific Installation Kit (SR/SRK), follow the installation instructions that are included with the PAC kit. This manual will be used as a reference.

## Using a Double DIN Dash Kit:

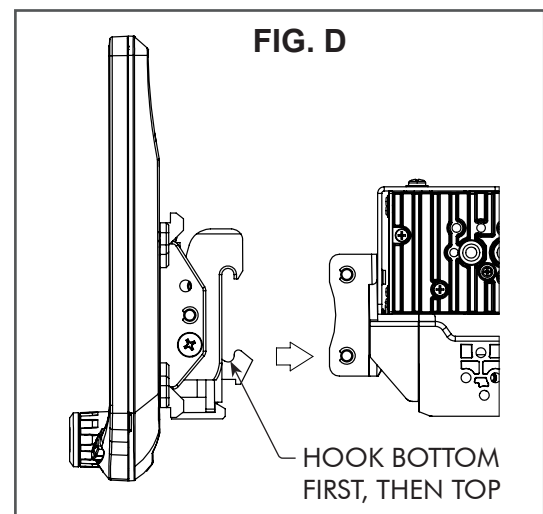
Radio chassis mounts to the brackets attached to the kit main frame

### Display Adjustment & Mounting:

1. Install the dash kit side brackets to the main frame.
2. Making sure to use all 8 screws, loosely attach the radio module & mounting bracket assembly to the side kit brackets (**FIG. C**).
  - a. (4x) #10 X 3/8 screws for the plastic mounting bracket locations
  - b. (4x) M5 X 10 or (4x) M4 X 10 screws for the radio module locations (use any combination of screws to locate the radio in the best position)



3. Attach the display to the bracket assembly by hooking bottom spring hook and then pushing up and hooking top hooks. (**FIG. D**)



NOTE: BOOT AND DASH KIT NOT SHOWN



4. Determine the desired position of the display:
  - a. Display can be vertical or tilted up (FIG. E)
  - b. Display can slide up or down (Page 7)
  - c. Display can be tilted horizontally (Page 7 – FIG. B)

**Note:** There are multiple mounting holes on the mounting bracket to allow adjusting the mounting depth. You may drill additional holes in the mounting bracket and/or the dash kit brackets to align the display in the best position and ensure you can use all 8 mounting screws.

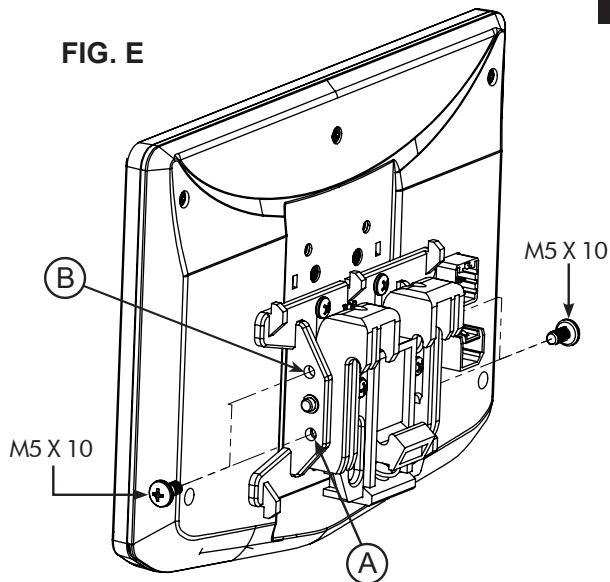
5. Once in the desired position, tighten screws to the radio chassis (top) and mounting bracket assembly (bottom).

**Note:** If the display prevents the factory dash panel(s) from being installed last, do not push the display all the way up against the dash kit. Leave enough bottom gap as the display's bottom edge rotates towards the dash kit.

6. Remove the display from the bracket assembly by pushing up from compression spring side (1) and swing out to unhook top (2). (FIG. F)

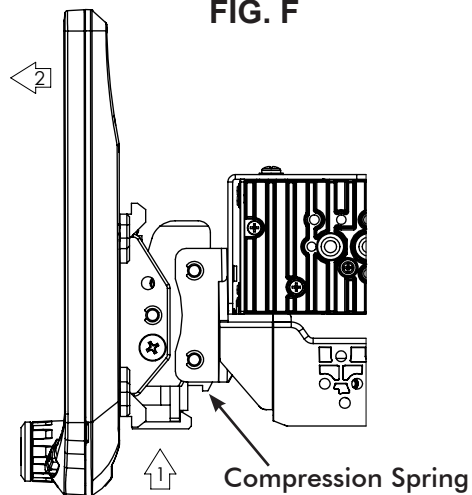
**Note:** If there is a depth issue with the radio module in the top position, move it to the bottom location by inverting the mounting bracket assembly. (FIG. G)

FIG. E



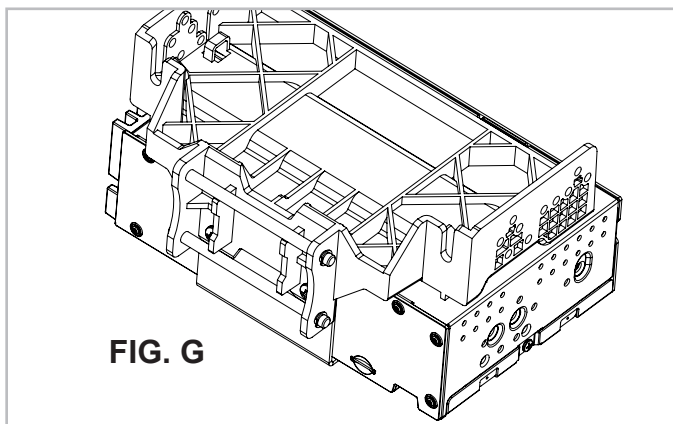
**VERTICAL TILT:** Use **Hole A** for no vertical tilt or **Hole B** for 8 degrees of vertical tilt. Insert a M5 X 10 on each side of the clamp assembly at desired tilt.

FIG. F



**PROCEED TO STEP 5**  
on Page 16

FIG. G



## Using a Double DIN Dash Kit:

Radio chassis mounts to the kit brackets in the sub-dash, not to the kit main frame

### Display Adjustment & Mounting:

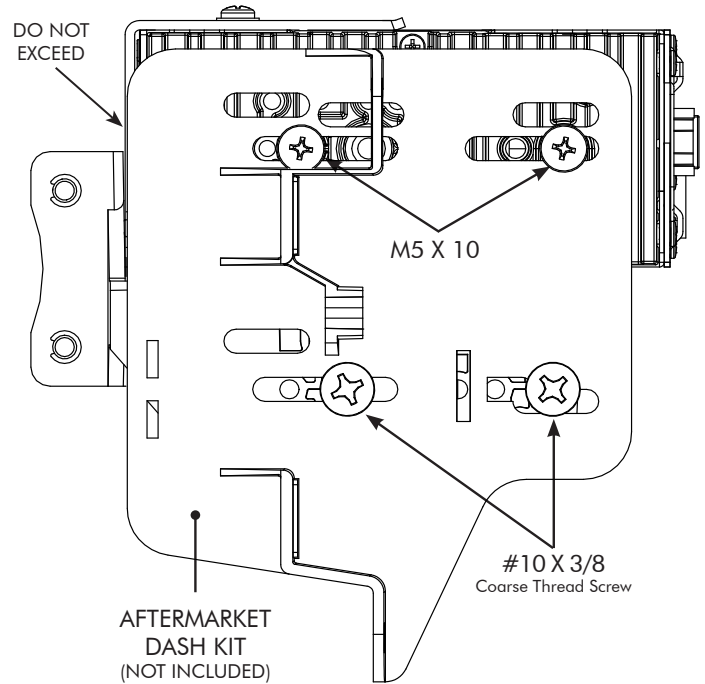
1. Use all 8 kit mounting screws to attach the radio module & plastic mounting bracket assembly to the kit brackets at the front most location (not to exceed the front of the kit bracket). (FIG. H)
  - a. (4x) #10 X 3/8 screws for the bottom locations
  - b. (4x) M5 X 10 or (4x) M4 X 10 screws for the radio module locations (use any combination of screws to locate the radio in the best position)

**Note:** There are multiple mounting holes on the plastic mounting bracket to allow adjustment of the mounting depth. You may drill additional holes in the mounting bracket and/or the dash kit brackets to align the display in the best position and ensure you can use all 8 mounting screws.

2. Install the assembly (from Step 1) into the vehicle (using factory screws/bolts).

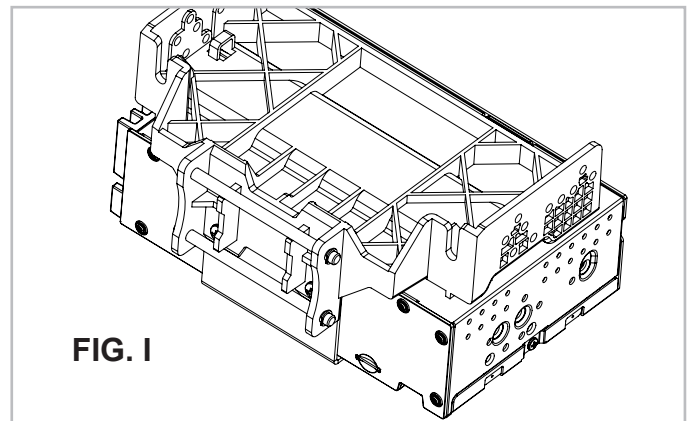
3. Install the dash kit main frame and any factory panels that would affect the display installation.

FIG. H



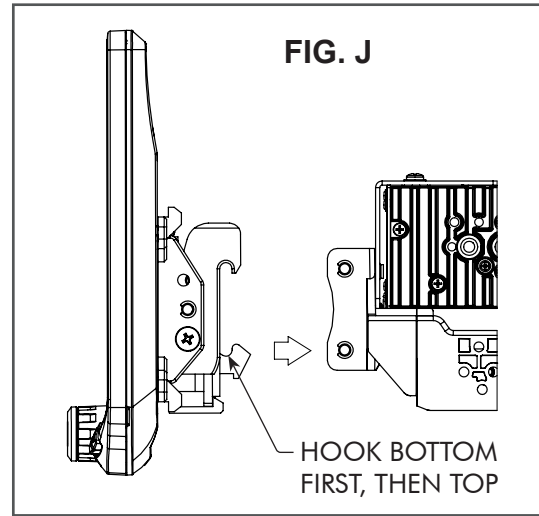
**Note:** If there is a depth issue with the radio module in the top position, move it to the bottom location by inverting the mounting bracket assembly. (FIG. I)

FIG. I



4. Attach the display to the mounting bracket assembly by hooking bottom spring hook and then pushing up and hooking top hooks. (FIG. J)

- 5. Determine the desired position of the display:
  - a. Display can be vertical or tilted up (FIG. K)
  - b. Display can slide up or down (Page 7)
  - c. Display can be tilted horizontally (Page 7 – FIG. B)



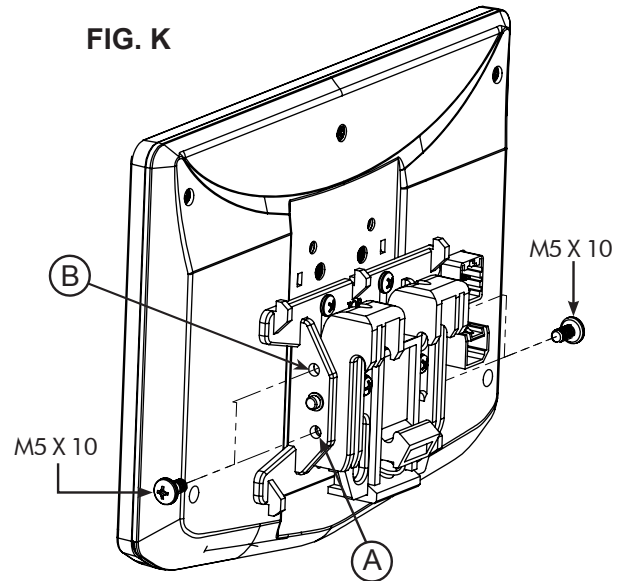
NOTE: BOOT AND DASH KIT NOT SHOWN

6. Determine the final front to back position by measuring the shortest distance between the display to the dash kit main frame or the factory dash and subtract that distance/measurement by ~0.25"

See FIG. X on Page 16 for more information

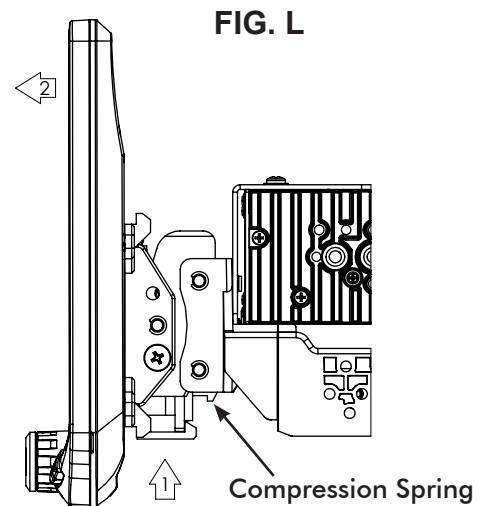
Note: Do not push the display all the way up against the dash. Leave enough bottom gap as the display's bottom edge rotates towards the dash.

7. Remove the display from the bracket assembly by pushing up from compression spring side (1) and swing out to unhook top (2). (FIG. L)



**VERTICAL TILT:** Use Hole A for no vertical tilt or Hole B for 8 degrees of vertical tilt. Insert a M5 X 10 on each side of the clamp assembly at desired tilt.

8. Remove the radio module & mounting bracket assembly from the vehicle. Using the measurement taken in step 6, slide the radio module & bracket assembly back to that distance.



**PROCEED TO STEP 5**  
on Page 16

## Using Factory Radio Brackets:

Radio chassis mounts to the factory brackets in the sub-dash

### Display Adjustment & Mounting:

1. Use all 8 kit mounting screws to attach the radio module & plastic mounting bracket assembly to the factory brackets. (FIG. M)

a. (4x) #10 X 3/8 screws for the bottom locations

b. (4x) M5 X 10 or (4x) M4 X 10 screws for the top locations (radio module).

If factory bracket is thinner than 2mm, add a washer to space the screws out.

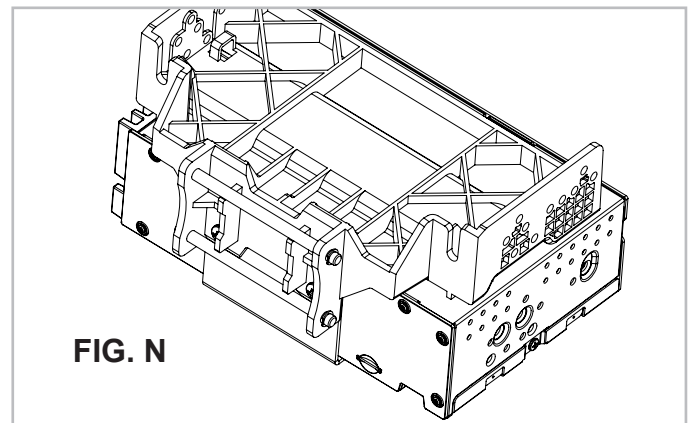
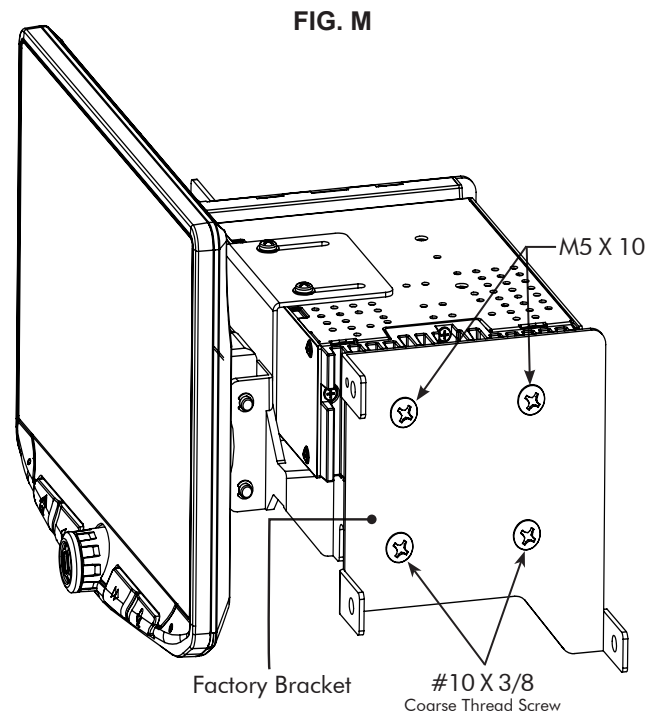
**New holes in the factory brackets may need to be drilled for optimal screen position**

**Note:** There are multiple mounting holes on the plastic mounting bracket to allow adjusting the mounting depth. You may drill additional holes in the mounting bracket and/or the factory brackets to align the display in the best position and ensure you can use all 8 mounting screws.

2. Install the assembly (from Step 1) into the vehicle (using factory screws/bolts).

3. Install the dash kit main frame and any factory panels that would affect the display installation.

**Note:** If there is a depth issue with the radio module in the top position, move it to the bottom location by inverting the mounting bracket assembly. (FIG. N)



4. Attach the display to the mounting bracket assembly by hooking bottom spring hook and then pushing up and hooking top hooks. (FIG. O)

5. Determine the desired position of the display:
- a. Display can be vertical or tilted up (FIG. P)
  - b. Display can slide up or down (Page 7)
  - c. Display can be tilted horizontally (Page 7 – FIG. B)

6. Determine the final front to back position by measuring the shortest distance between the display to the dash kit main frame or the factory dash and subtract that distance/measurement by ~0.25"

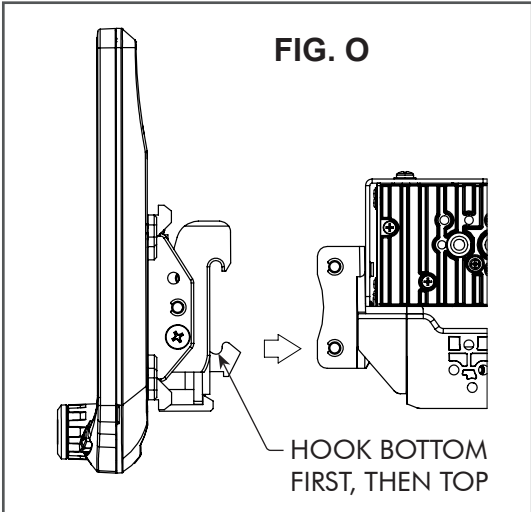
See FIG. X on Page 16 for more information

Note: Do not push the display all the way up against the dash. Leave enough bottom gap as the display's bottom edge rotates towards the dash.

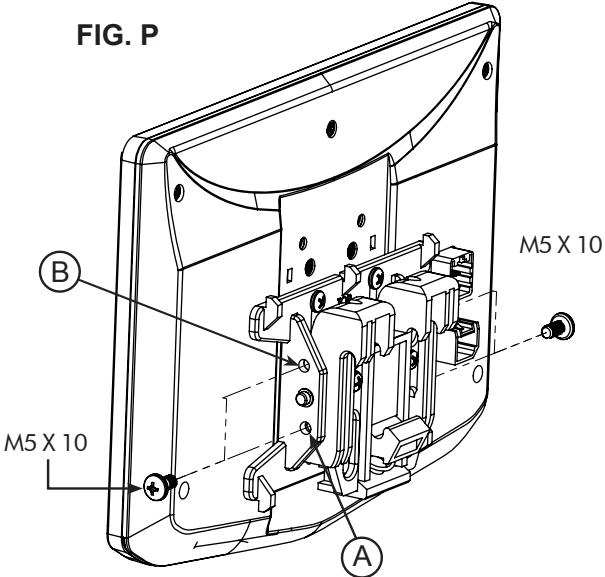
7. Remove the display from the bracket assembly by pushing up from compression spring side (1) and swing out to unhook top (2). (FIG. Q)

8. Remove the radio module & mounting bracket assembly from the vehicle. Using the measurement taken in step 6, install the radio module & bracket assembly back to that distance. (New holes in the factory brackets may need to be drilled).

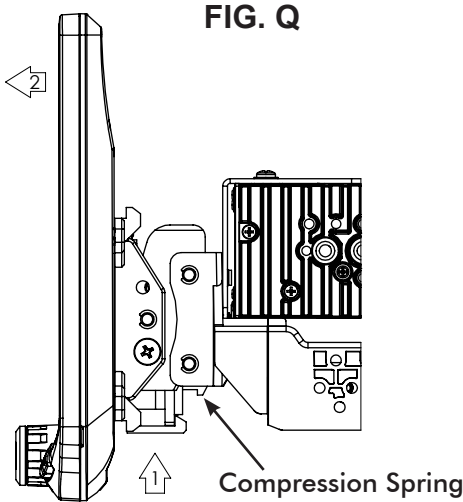
**PROCEED TO STEP 5**  
on Page 16



NOTE: BOOT AND DASH KIT NOT SHOWN



**VERTICAL TILT:** Use **Hole A** for no vertical tilt or **Hole B** for 8 degrees of vertical tilt. Insert a M5 X 10 on each side of the clamp assembly at desired tilt.

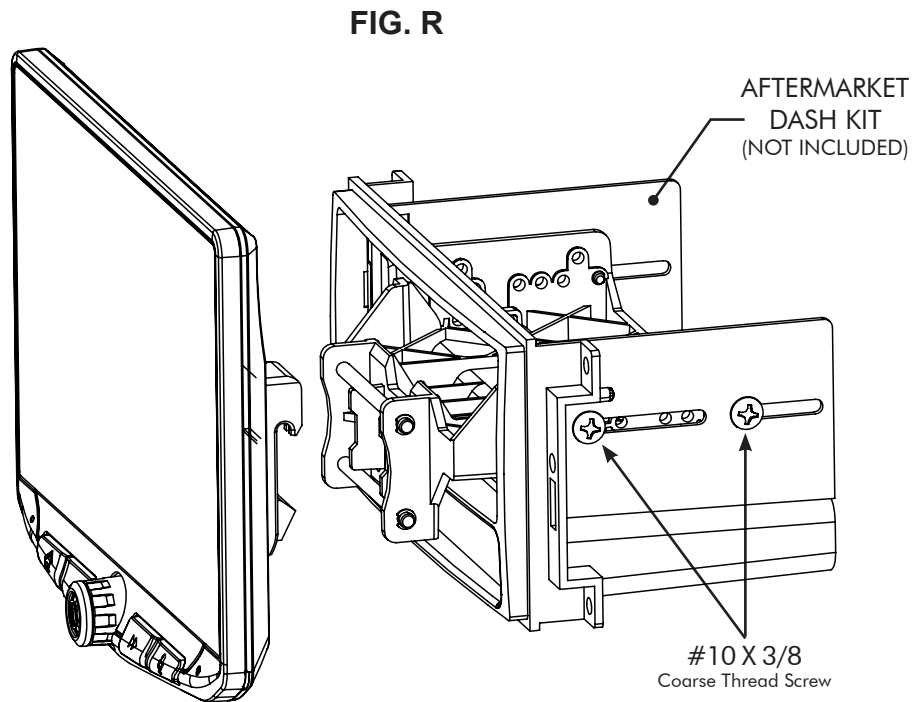


## Using a Single DIN ISO Mountable Dash Kit:

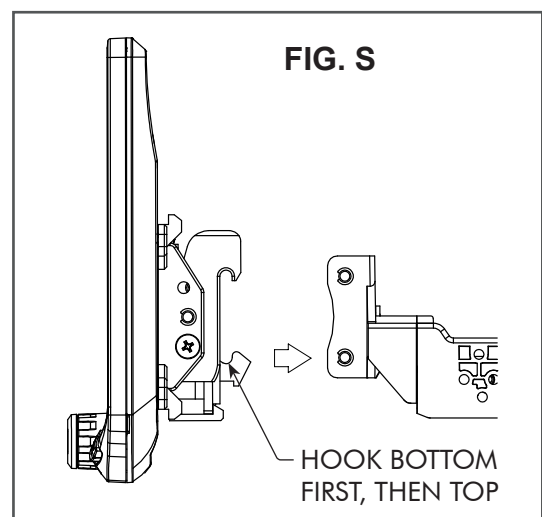
Radio chassis mounts separately into the sub-dash

### Display Adjustment & Mounting:

1. Install the dash kit brackets to the main frame.
2. Making sure to use 4 screws, loosely attach the plastic mounting bracket assembly to the side kit brackets. (FIG. R)
  - a. (4x) #10 X 3/8 screws



3. Attach the display to the bracket assembly. (FIG. S)



NOTE: BOOT AND DASH KIT NOT SHOWN

4. Determine the desired position of the display:
- Display can be vertical or tilted up (**FIG. T**)
  - Display can slide up or down (Page 7)
  - Display can be tilted horizontally (Page 7 – **FIG. B**)

**Note:** There are multiple mounting holes on the mounting bracket to allow adjusting the mounting depth. You may drill additional holes in the mounting bracket and/or the dash kit brackets to align the display in the best position and ensure you can use 4 mounting screws.

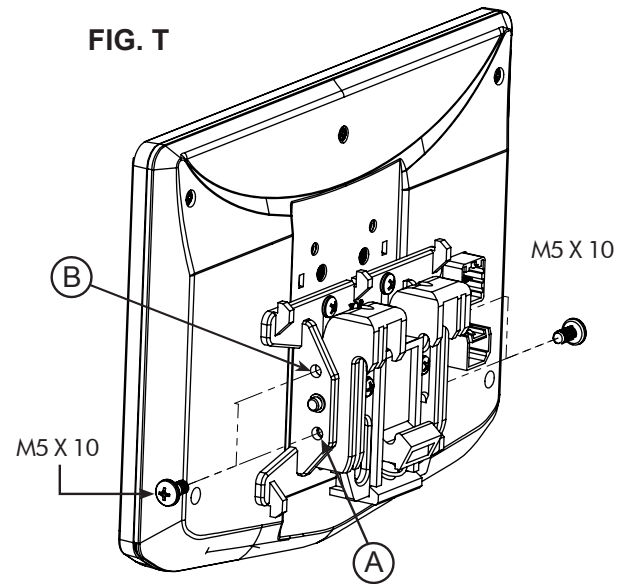
5. Once in the desired position, tighten screws to the mounting bracket assembly.

**Note:** If the display prevents the factory dash panel(s) from being installed last, do not push the display all the way up against the dash kit. Leave enough bottom gap as the display's bottom edge rotates towards the dash kit.

6. Remove the display from the bracket assembly by pushing up from compression spring side (1) and swing out to unhook top (2). (**FIG. U**)

**Note:** The plastic mounting bracket assembly may be inverted to align the display in the best position. (**FIG. V**)

FIG. T



**VERTICAL TILT:** Use **Hole A** for no vertical tilt or **Hole B** for 8 degrees of vertical tilt. Insert a M5 X 10 on each side of the clamp assembly at desired tilt.

FIG. U

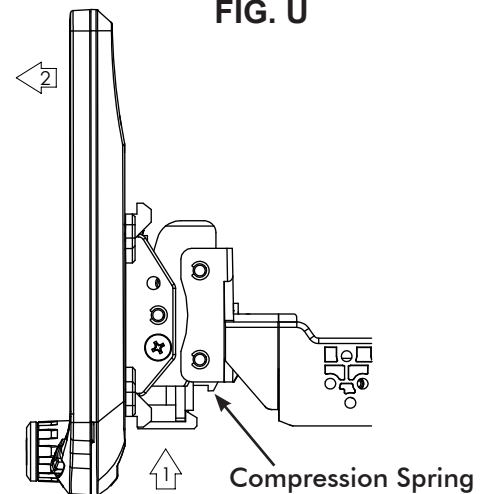
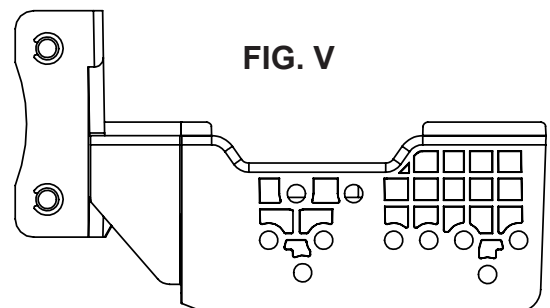


FIG. V



**PROCEED TO STEP 5**  
on Page 16



# Final Assembly

5

If needed, attach the rubber boot to the display clamp assembly by aligning the notch on the top edge as shown, and hook the boot to the clamp at 5 locations. (FIG. W)

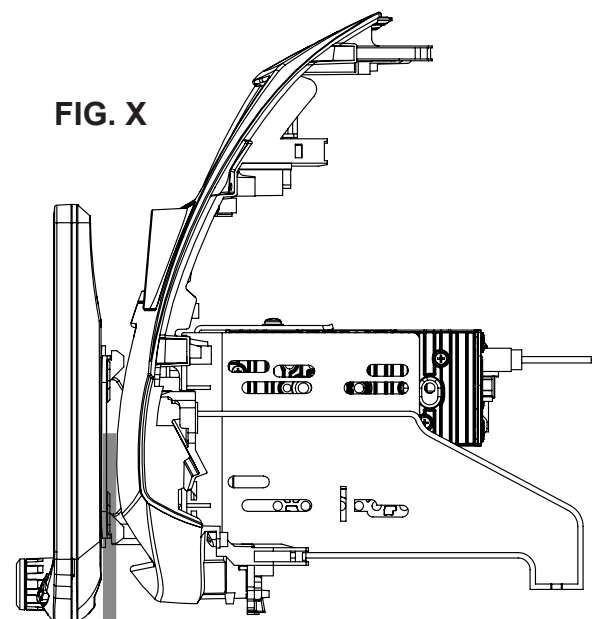
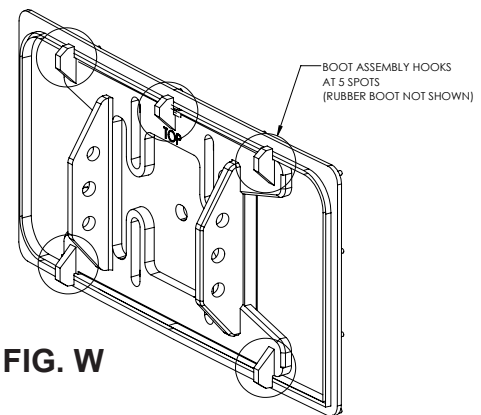
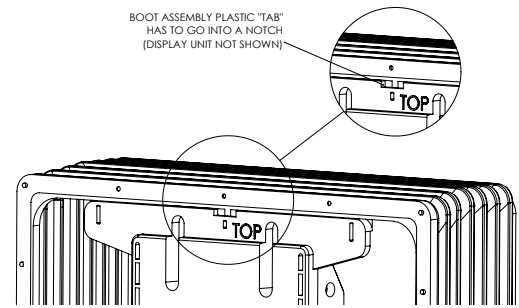
**Note:** The boot is not required if display sits very close to the dash/dash kit and no large gap is seen.

6

After all wiring connections are made in the next section, the dash kit with the radio chassis and bracket assembly, should be installed and any factory panels reinstalled. Connect the 8 Pin Display Power Harness and the LVDS Video Cable to the back of the display and attach display to mounting bracket.

!

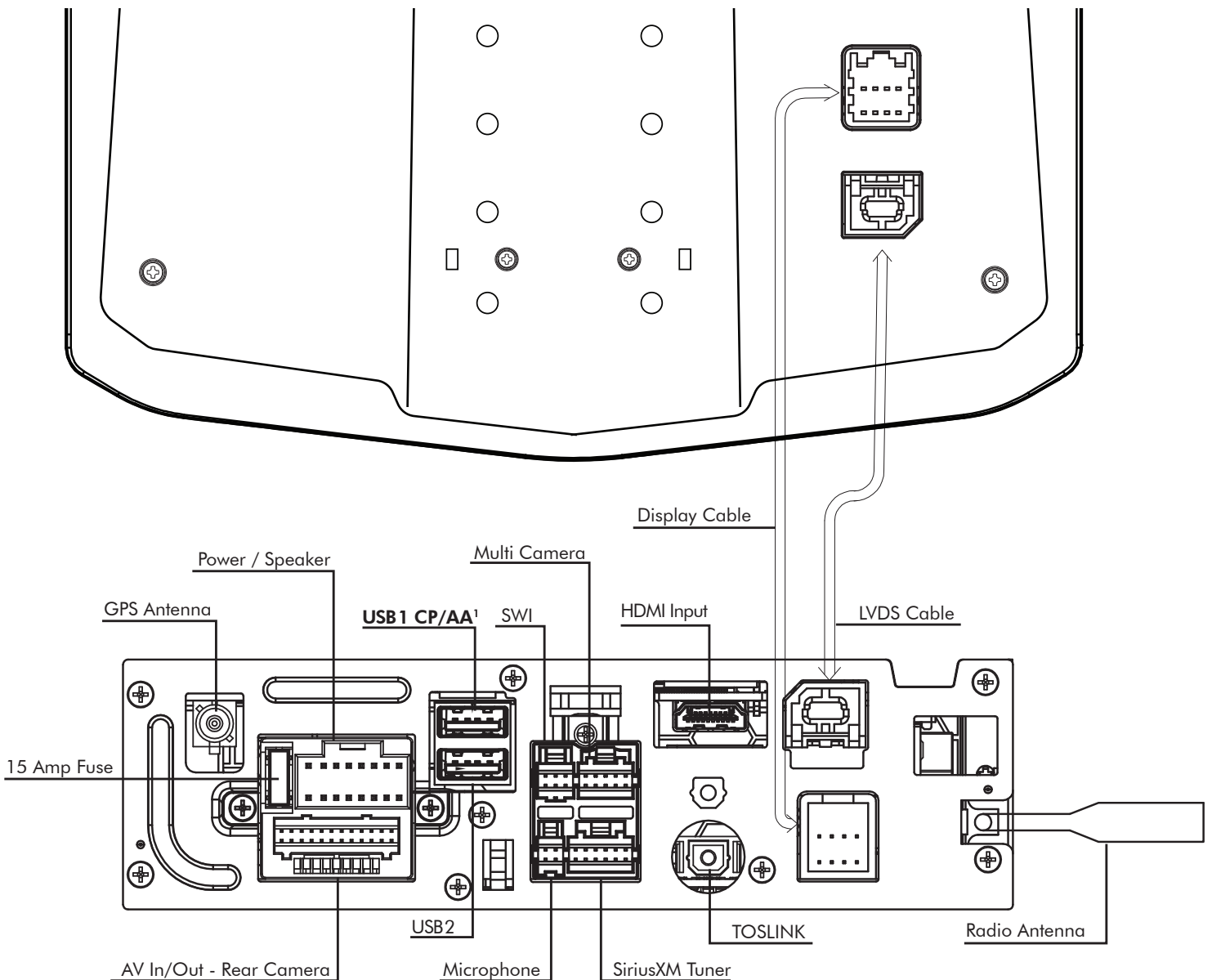
When positioning the radio assembly, do not push the display all the way up against the dash. Leave enough bottom gap as the display's bottom edge rotates towards the dash.



Leave at least .25" gap at the bottom half of the display so display can be installed and removed.



# Wiring and Connections



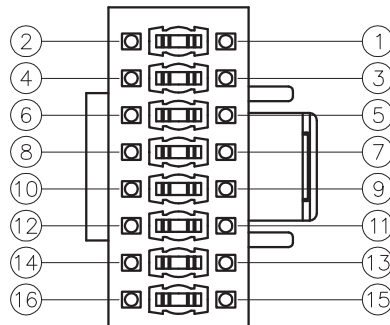
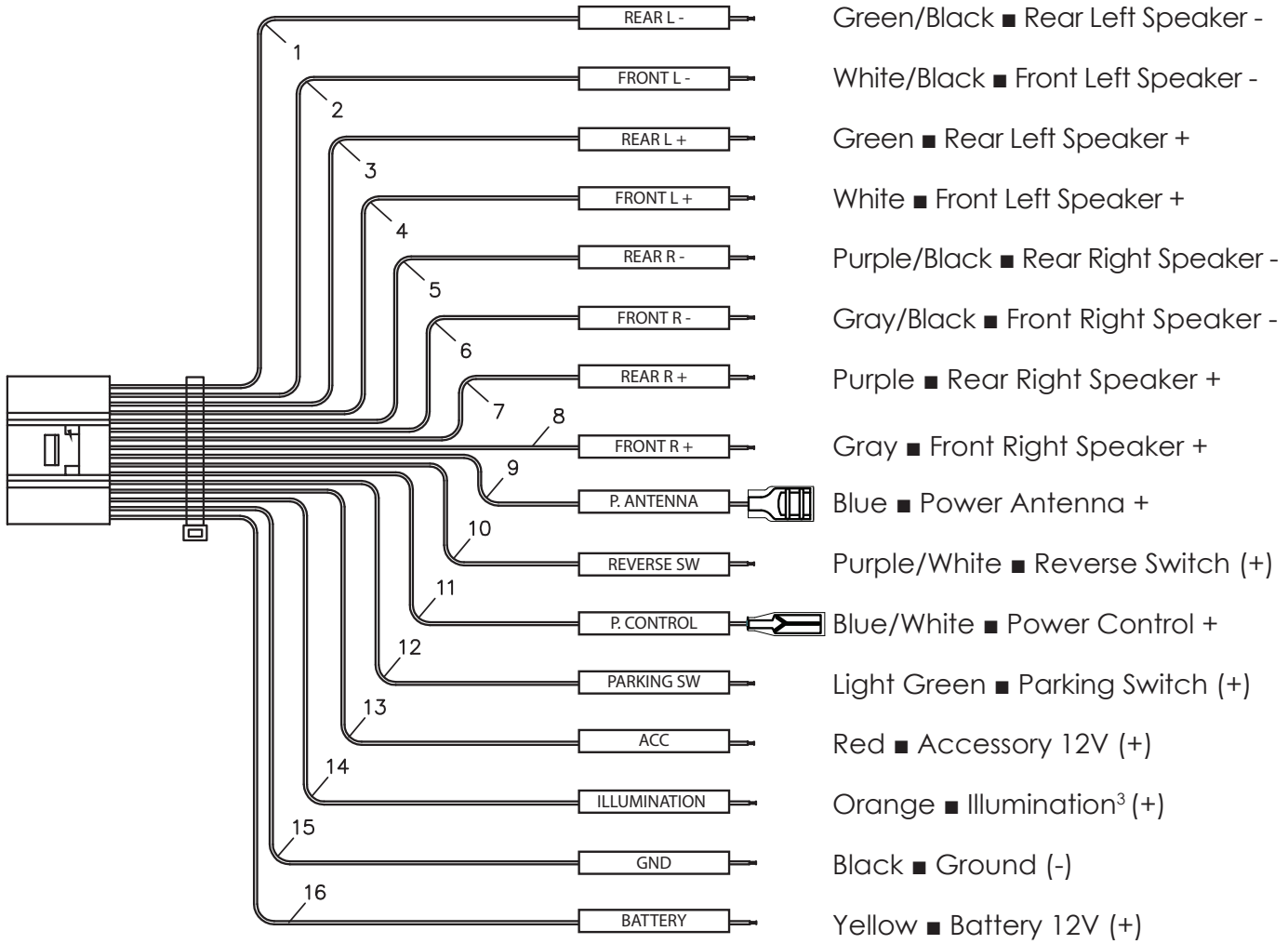
<sup>1</sup>The top USB1 must be used for Apple CarPlay and Android Auto.

<sup>2</sup>GPS Antenna must be installed for accurate operation of Apple CarPlay, Android Auto & internal Navigation.

# Wiring and Connections

## 16 Pin Power / Speaker Harness

Connect radio power and speaker connections to a vehicle specific harness (sold separately) referencing diagram below.



Connector View is pin side

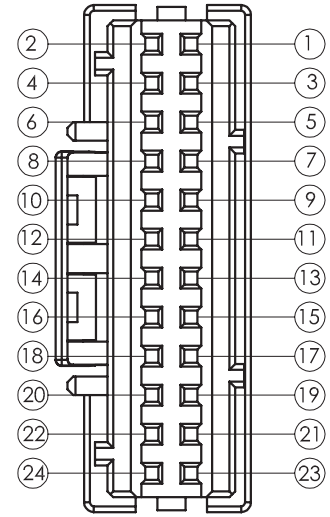
<sup>3</sup>Illumination wire must be connected for Day/Night and Auto Dimming to work.

# Wiring and Connections

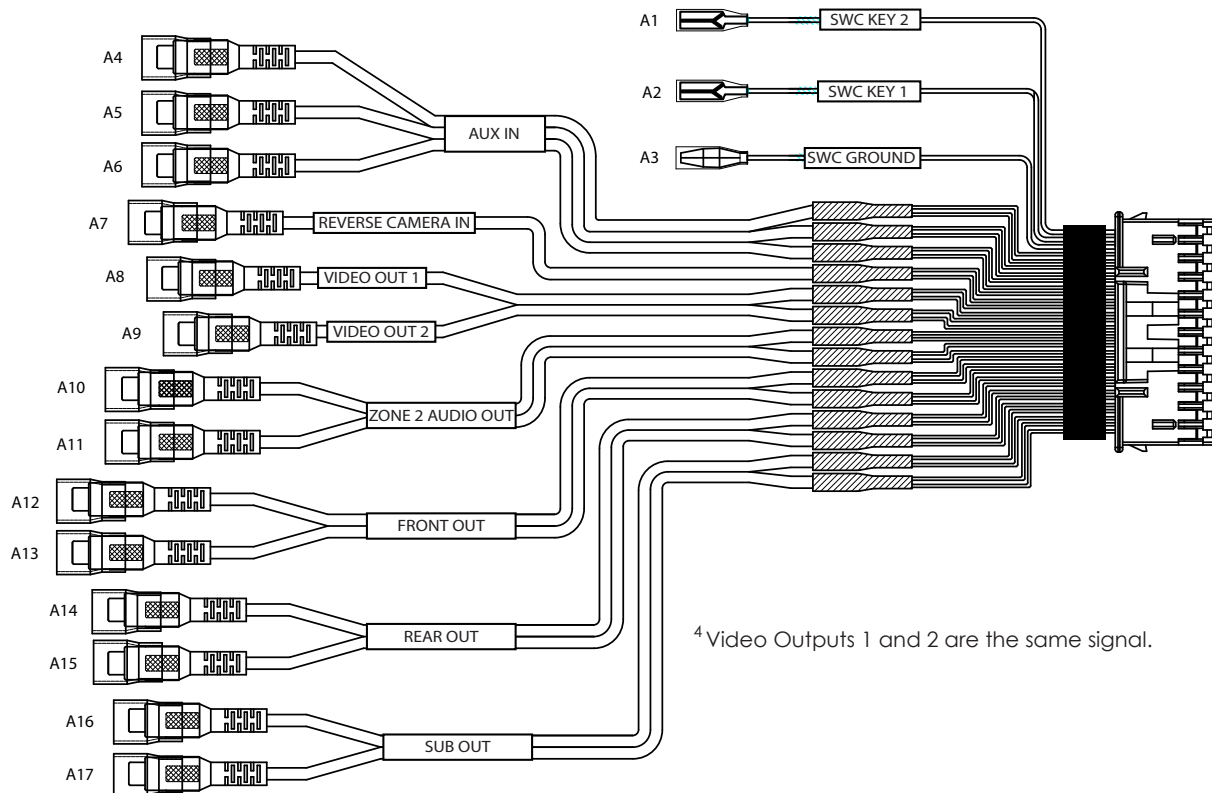
## 24 Pin AV / Rear Camera Harness

Audio/Video Inputs & Outputs / Rear Camera Video Input / Resistive Steering Wheel Control Inputs  
 To program SWC, go to SETTINGS > Systems Settings > Installer Settings > Passcode:0052 >  
 Advanced Vehicle Settings > Steering Wheel Control. Do not use if using a PAC SWI Interface.

Analog Steering Wheel Control Input	A1	Brown / Black	SWC Key 2
	A2	Brown	SWC Key 1
	A3	Black	SWC Ground
Audio / Video Input	A4	Yellow RCA	Video Input
	A5	White RCA	Audio Input Left
	A6	Red RCA	Audio Input Right
	A7	Yellow RCA	Camera Input
Video Output <sup>4</sup>	A8	Yellow RCA	Video Output 1
	A9	Yellow RCA	Video Output 2
Audio Output	A10	White RCA	Zone 2 Left
	A11	Red RCA	Zone 2 Right
	A12	Red RCA	Right front
	A13	White RCA	Left Front
	A14	Red RCA	Right Rear
	A15	White RCA	Left Rear
	A16	White RCA	Left Subwoofer
A17	Red RCA	Right Subwoofer	

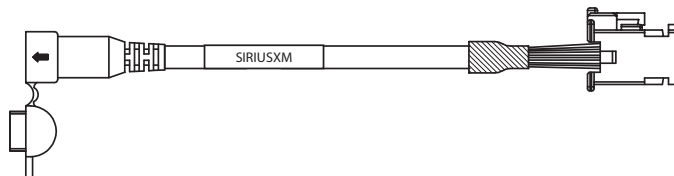


Connector View is pin side



## SiriusXM® Harness

For connecting optional SiriusXM SXV 300 satellite radio tuner.

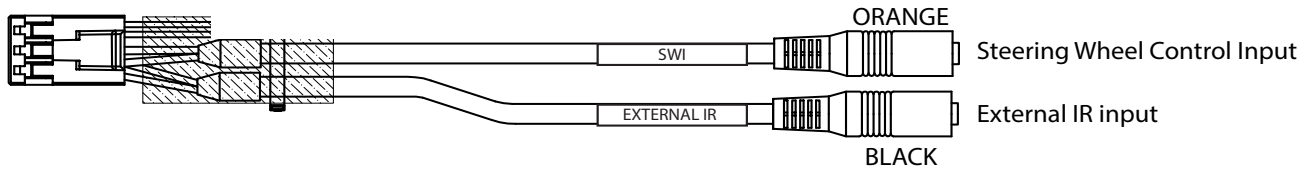


# Wiring and Connections

## 6 Pin SWI / IR Harness

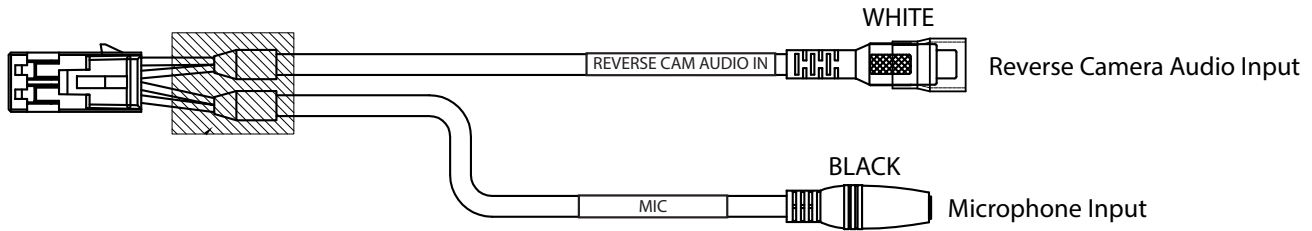
3.5mm Input for optional Steering Wheel Control Interface

(PAC Audio SWI-CP2 is recommended for full compatibility and advanced features. Visit [PAC-Audio.com](http://PAC-Audio.com))



## 4 Pin Microphone / Camera Audio Harness

Input for External Microphone (included) used for hands-free calling, Apple CarPlay and Android Auto / Optional reverse camera audio input

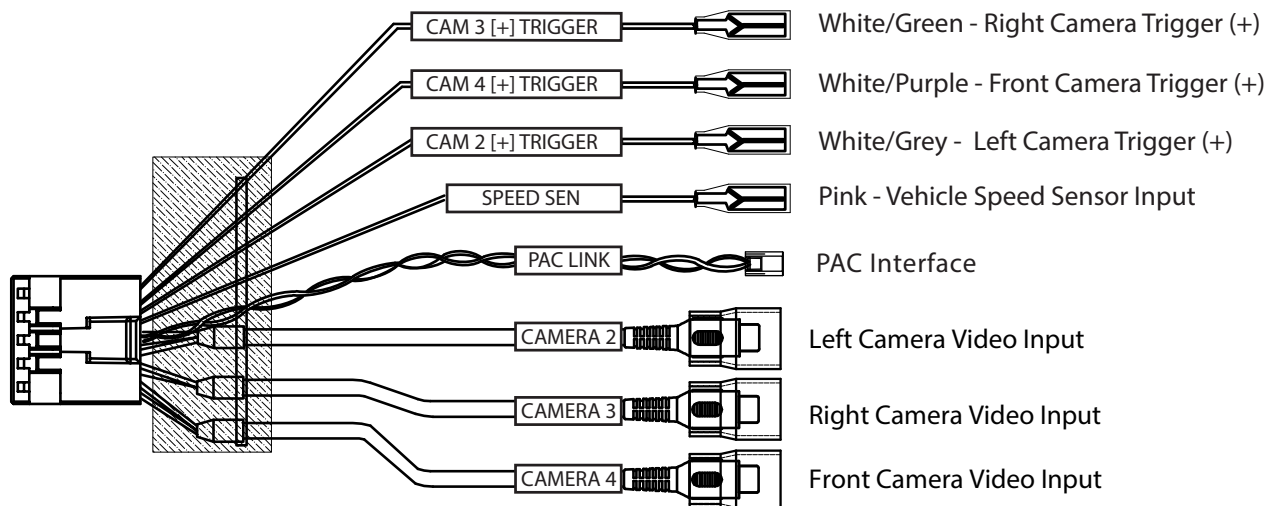


## 10 Pin Multi Camera Harness

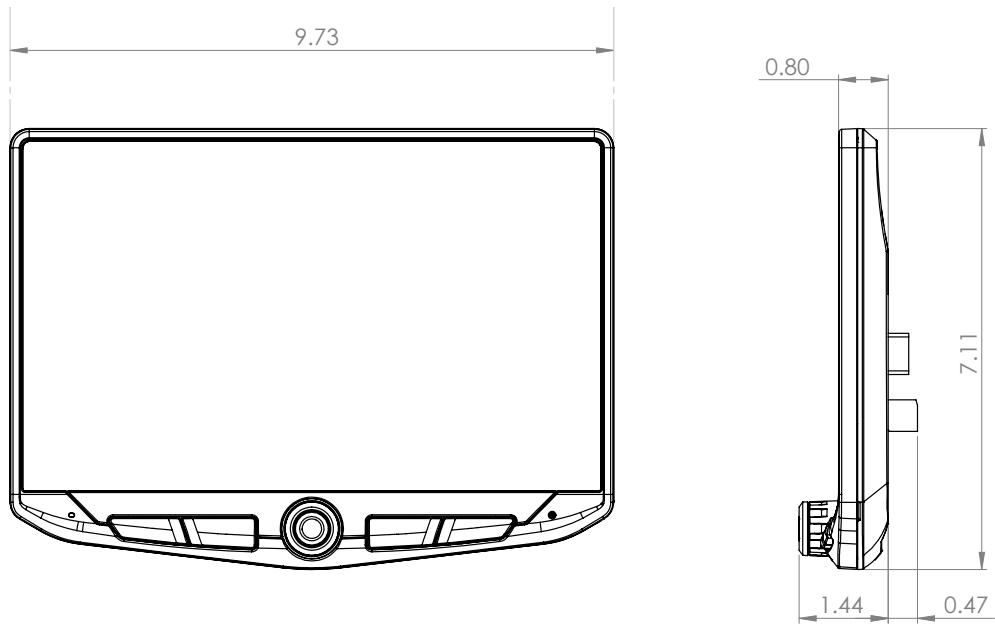
3 additional camera inputs and triggers / Vehicle Speed / PAC Link

Camera Triggers 2 & 3 will accept a pulsing + trigger (turn signal).

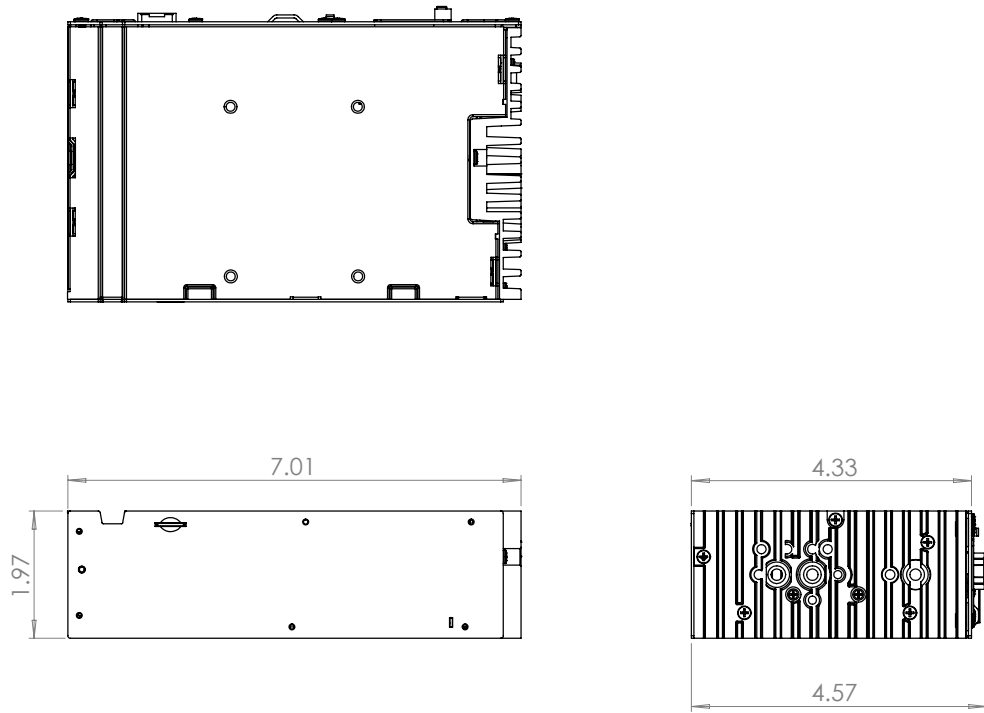
NOTE: Camera Triggers are used for triggering the inputs, not for camera power.



# Dimensions (in)



DIMENSIONS ARE IN INCHES



DIMENSIONS ARE IN INCHES

# Troubleshooting

## General

### Black Screen with Audio

Touch the screen anywhere as it may have been turned off.

Ensure the display cables on the back of the display are fully locked into place and also properly connected at the back of the radio module.

## Installer Settings

To access the Installer Settings for firmware updates, SWC programming, factory reset, go to MENU > SETTINGS > SYSTEM SETTINGS > INSTALLER SETTINGS > **Passcode: 0052** > OK

## Bluetooth

### Device will not Pair

Ensure Bluetooth is turned ON in your device settings. Delete all unused devices. Delete any "Stinger" device. Restart/Reboot device and try pairing again.

### Music Volume is low

- Turn up volume on device
- Turn up volume on head unit
- Turn up BT Volume Gain (MENU > SOUND SETTINGS > AUDIO SETTINGS > ADVANCED SETTINGS > SOURCE GAIN)

### Phone Volume is low

- Turn up volume on device
- Turn up volume on head unit
- Turn up BT Volume Gain (MENU > SOUND SETTINGS > AUDIO SETTINGS > ADVANCED SETTINGS > SOURCE GAIN)
- Turn up Mic Gain (MENU > PHONE > SETTINGS)

### No Microphone / Voice Control

- Set Microphone location (MENU > PHONE > SETTINGS)

## Apple CarPlay

### Apple CarPlay will not start/launch

- Ensure an Apple certified cable is being used
- Ensure cable is plugged into USB #1 (top)
- Make sure Apple CarPlay is turned ON (MENU > SETTINGS > SYSTEM SETTINGS > Apple CarPlay)

## Android Auto

### Android Auto

- Ensure a USB certified cable is being used
- Make sure Android Auto app is downloaded and installed on your device.
- Ensure cable is plugged into USB #1 (top)
- Make sure Android Auto is turned ON (MENU > SETTINGS > SYSTEM SETTINGS > Android Auto)

## SiriusXM Satellite Radio

### Check Antenna

The radio has detected a fault with the SiriusXM antenna. The antenna cable may be either disconnected or damaged.

- Verify that the antenna cable is connected to the SiriusXM Connect Vehicle Tuner.
- Inspect the antenna cable for damage and kinks.

Replace the antenna if the cable is damaged. *SiriusXM products are available at your local car audio retailer or online at [www.shop.siriusxm.com](http://www.shop.siriusxm.com).*

### Check Tuner

The radio is having difficulty communicating with the SiriusXM Connect Vehicle Tuner. The tuner may be disconnected or damaged.

- Verify that the SiriusXM Connect Vehicle Tuner cable is securely connected to the radio.

### No Signal

The SiriusXM Connect Vehicle Tuner is having difficulty receiving the SiriusXM satellite signal.

- Verify that your vehicle is outdoors with a clear view of the sky.
- Verify that the SiriusXM magnetic mount antenna is mounted on a metal surface on the outside of the vehicle.
- Move the SiriusXM antenna away from any obstructions. Inspect the antenna cable for damage and kinks.
- Consult the SiriusXM Connect Vehicle tuner installation manual for more information on antenna installation.

Replace the antenna if the cable is damaged. *SiriusXM products are available at your local car audio retailer or online at [www.shop.siriusxm.com](http://www.shop.siriusxm.com).*

### Channel Locked

The channel that has been requested is Locked by the radio's Parental Control feature. See the Parental Control section, on Page 17 of the User Guide available on the Stinger website, for more information on the Parental Control feature and how to access locked channels.

### Subscription Updated

The radio has detected a change in your SiriusXM subscription status.

- Press anywhere on the screen to clear the message.

*In the U.S.A., visit [www.siriusxm.com](http://www.siriusxm.com) or call 1-866-635-2349 if you have questions about your subscription. In Canada, visit [www.siriusxm.ca](http://www.siriusxm.ca) or call 1-877-438-9677 if you have questions about your subscription.*

### Channel Unavailable

The channel that you have requested is not a valid SiriusXM channel or the channel that you were listening to is no longer available. This message may also appear briefly when first connecting a new SiriusXM Connect Vehicle tuner.

*Visit [www.siriusxm.com](http://www.siriusxm.com) for more information about the SiriusXM channel lineup.* title, exists.

## SiriusXM Satellite Radio (cont)

### Memory End

This message will display when the beginning of stored audio has been reached. You cannot rewind any further.

### Memory Full

The stored audio memory has become full while audio was paused. Resume playback.

### Channel Unsubscribed

The channel that has been requested is not included in your SiriusXM subscription package or the channel that you were listening to is no longer included in your SiriusXM subscription package.

*In the U.S.A., visit [www.siriusxm.com](http://www.siriusxm.com) or call 1-866-635-2349 if you have questions about your subscription package or would like to subscribe to this channel. In Canada, visit [www.siriusxm.ca](http://www.siriusxm.ca) or call 1-877-438-9677.*

## Video/Cameras

### Rear Camera not displaying in reverse

- Make sure rear camera trigger is ON - (MENU > CAMERAS > CAMERA SETTINGS)
- If display is showing NO SIGNAL in reverse, ensure camera RCA is plugged into correct RCA input (CAMERA IN).
- Confirm camera has power and ground.
- Confirm camera trigger is receiving positive 12V.

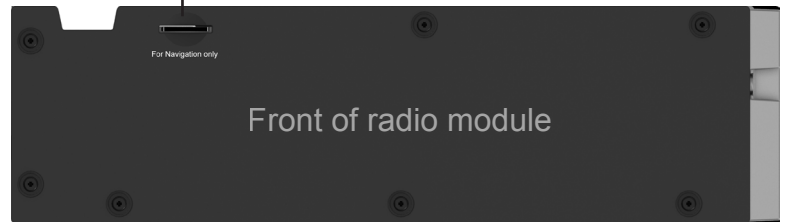
Note: NTSC and PAL video formats only.

# Upgrades/Options

## Navigation Ready

Add optional iGO Navigation with part number SE-P14. Insert the purchased Micro SD card into the front of the radio module. HEIGH10 and iGO are optimized for ease of use and driving safety.

Navigation SD Card



## American International

Dash kits, wire harnesses and antenna adapters. **PAC-Audio.com**



## PAC Audio

Retain the factory vehicle features with RadioPRO Radio Replacement Modules, Steering Wheel Interfaces, Factory Camera and USB retention. **PAC-Audio.com**



## EchoMaster

Add a Rear Camera, or Side and Front Cameras. **EchoMaster.com**



## AudioControl

Take advantage of the 6 channel / 4v outputs or variable TOSLINK by adding an amp, DSP processor and speakers. **AudioControl.com**



