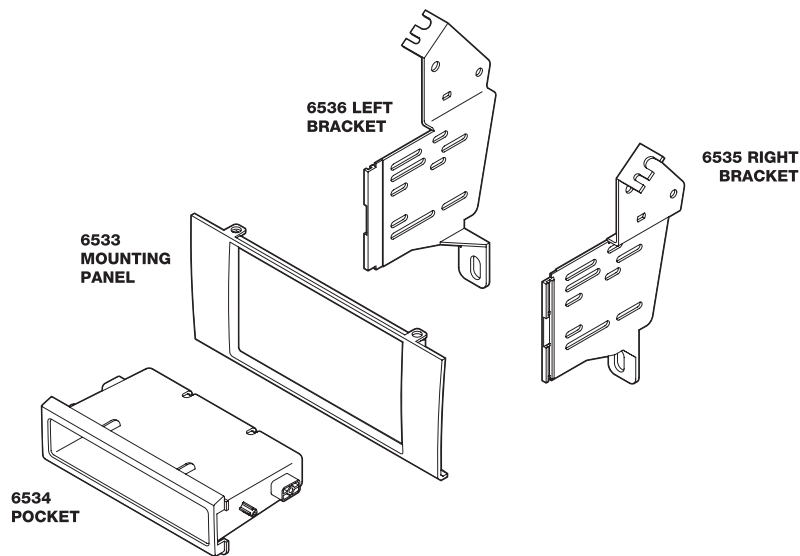


**IN-DASH INSTALLATION KIT FOR
1995-2000 LEXUS LS400**



INTRODUCTION/PRELIMINARY

This premium installation kit is for 1995-2000 Lexus LS400 vehicles. Included are all the parts you need to mount your car stereo or CD player into your vehicle's dash. Refer to the individual instruction in this manual to remove your vehicle's factory radio and assemble the kit.

CAUTION
DISCONNECT YOUR VEHICLE'S NEGATIVE BATTERY TERMINAL BEFORE THE INSTALLATION TO HELP PREVENT ELECTRICAL DAMAGE. WE RECOMMEND THE USE OF A VOLT/OHM METER OVER A TEST LIGHT TO CHECK WIRING. A TEST LIGHT OR GROUNDED WIRE PROBE CAN CAUSE DAMAGE TO THE VEHICLE'S COMPUTER AND/OR DIAGNOSTIC SYSTEMS. AVOID ALL FACTORY AIRBAG WIRING - AIRBAGS CAN ACCIDENTALLY DEPLOY CAUSING SERIOUS INJURY OR DEATH.

- NOTES**
- See your vehicle's instructions for any special tools your installation might require.
 - Read all instructions accompanying your car stereo for proper wiring and mounting instructions.

FACTORY WIRING CODES

For Factory Wiring Codes go to: www.scosche-cars.com

LIABILITY DISCLAIMER

This instruction booklet is based on carefully documented data and research of automobile dash disassembly, wire harness/codes and information pertaining to installation of this kit (LS2085B) in 1995-2000 Lexus LS400 vehicles. Scosche Industries, Inc. cannot be held responsible for discrepancies/inconsistencies that may occur due to the automobile manufacturing changes or options, or damage that may occur in the automobile during the installation of components while using this booklet.

If you have any further questions, call our toll free technical help line at: **1-800-621-3695x3**

FACTORY STEREO REMOVAL

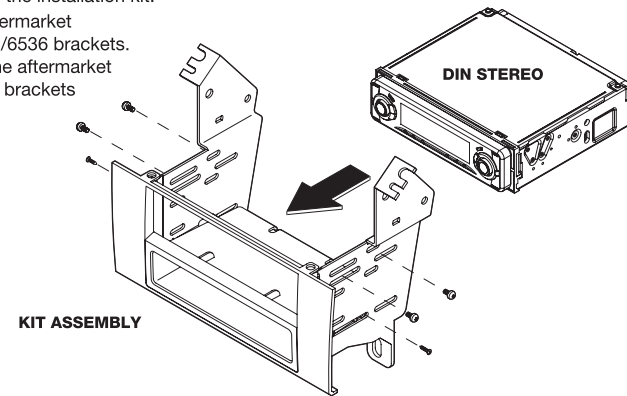
1995-2000 LEXUS LS400

1. Move the shifter to the rear most position.
2. Using a panel removal tool (PRT), carefully pry out upper vent.
3. Using a PRT, carefully pry out center console.
4. Extract (4) 10mm screws securing the stereo.
5. Unplug and remove.

MOUNTING THE STEREO

DIN-ISO MOUNT

1. Snap the 6535 and 6536 brackets to the mounting locations on the 6533 kit panel. Secure the 6534 pocket to the brackets with the supplied hardware on the installation kit.
2. Align, position and bolt the aftermarket DIN-ISO head unit to the 6535/6536 brackets. Use hardware supplied with the aftermarket stereo to secure the mounting brackets to the stereo.



DOUBLE DIN-ISO MOUNT

1. Snap the 6535 and 6536 brackets to the mounting locations on the 6533 kit panel.
2. Align, position and bolt the aftermarket Double Din head unit to the 6535/6536 brackets. Use hardware supplied with the aftermarket stereo to secure the mounting brackets to the stereo.

NOTE:
REAR SUPPORT AVAILABLE SEPARATELY. REAR SUPPORTING THE STEREO ADDS TO THE INSTALLATION'S STRUCTURAL INTEGRITY.

