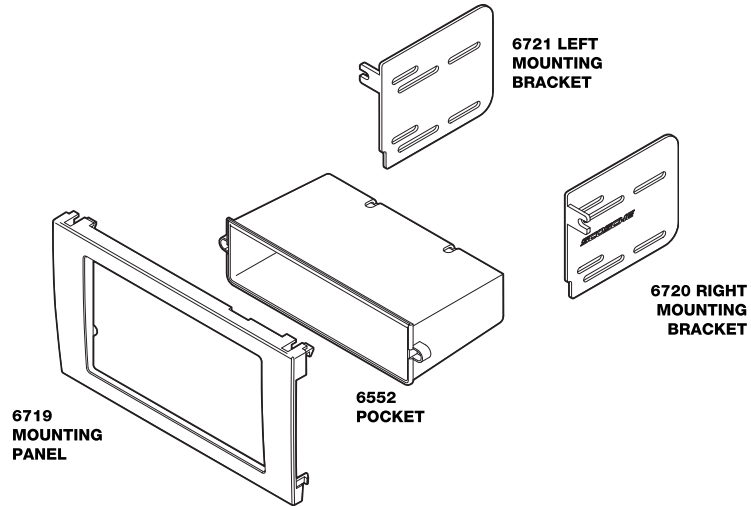


**IN-DASH STEREO INSTALLATION KIT FOR  
2002-08 AUDI A4/RS4**



**INTRODUCTION / PRELIMINARY**

This premium installation kit is for 2002-08 Audi A4/RS4 vehicles. Included are all the parts you need to mount your car stereo or CD player into your vehicle's dash. Refer to the individual instruction in this manual to remove your vehicle's factory radio and assemble the kit.

**CAUTION**

Disconnect your vehicle's negative battery terminal before the installation to help prevent electrical damage. We recommend the use of a volt/ohm meter over a test light to check wiring. A test light or grounded wire probe can cause damage to the vehicle's computer and/or diagnostic systems. Avoid all factory airbag wiring - airbags can accidentally deploy causing serious injury or death.

**NOTES**

- See your vehicle's instructions for any special tools your installation might require.
- Read all instructions accompanying your car stereo for proper wiring and mounting instructions.

**FACTORY WIRING CODES**

For Factory Wiring Codes go to: [www.scosche-cars.com](http://www.scosche-cars.com)

**CAR STEREO CONNECTORS**

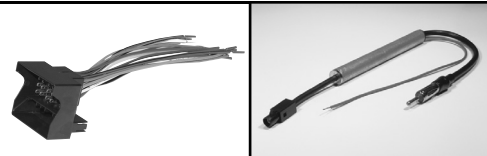
PROVIDE EASY CONNECTION OF YOUR CAR STEREO TO FACTORY WIRING HARNESS.

**VW03**

2002-Up Volkswagen Power & Speaker Connector

**VWA4B**

2000-Up Audi/BMW/VW Amplifier Antenna Adapter



**LIABILITY DISCLAIMER**

This instruction booklet is based on carefully documented data and research of automobile dash disassembly, wire harness/codes and information pertaining to installation of this kit (AU2391B) in 2002-08 Audi A4/RS4 vehicles. Scosche Industries, Inc. can not be held responsible for discrepancies/inconsistencies that may occur due to the automobile manufacturing changes or options, or damage that may occur in the automobile during the installation of components while using this booklet.

If you have any further questions, call our toll free technical help line at:

**1-800-621-3695x3**

©2009 SCOSCHE INDUSTRIES, INC.

SI 8/09 AU2391B (3000003)

**FACTORY STEREO REMOVAL**

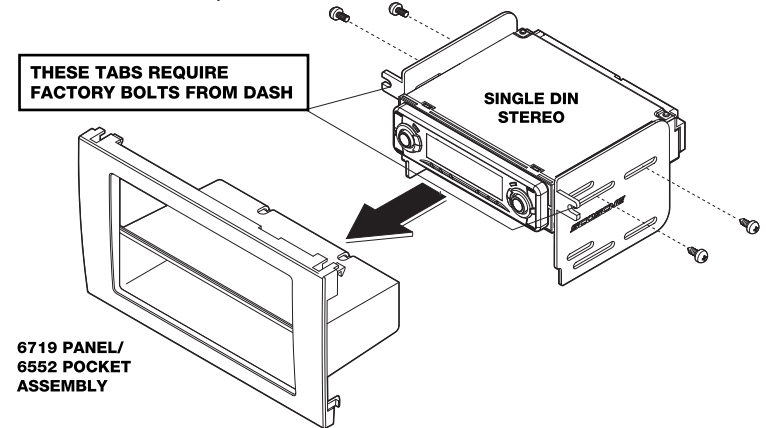
**2002-08 AUDI A4/RS4**

1. Using two (2) sets of DT-2 radio removal tools, push into all four (4) slots until secure.
2. Pull out stereo, unplug and remove.
3. Remove (2) bolts from dash cavity (upper left and right).

**MOUNTING THE STEREO**

**SINGLE DIN MOUNT**

1. Align and screw aftermarket stereo to 6720 and 6721 brackets using screws supplied with the aftermarket stereo.
2. Reconnect stereo, and secure stereo and bracket assembly to dash using the (2) removed bolts.
3. Attach the 6552 pocket to 6719 panel using (2) screws supplied.
4. Snap panel 6719 & 6552 assembly into dash.



**DOUBLE DIN MOUNT**

1. Align and screw aftermarket stereo to 6720 and 6721 brackets using screws supplied with aftermarket double din stereo.
2. Reconnect stereo, and secure stereo and bracket assembly to dash using the (2) removed bolts.
3. Snap panel 6719 into dash.

