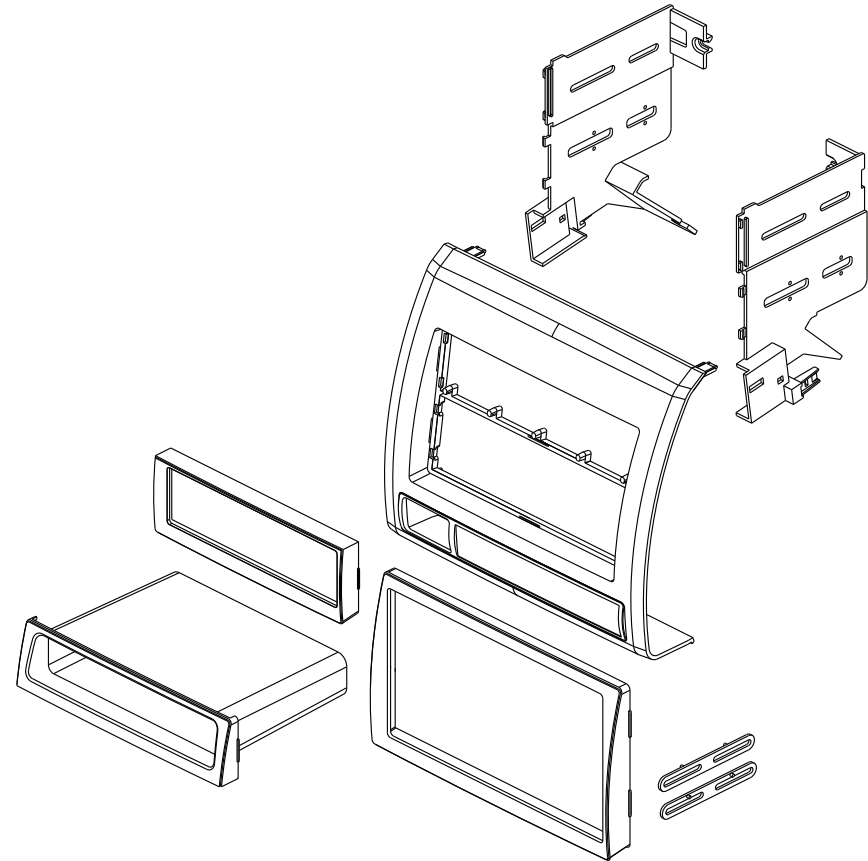


For information about other American International automotive accessories visit our website at:

<http://www.aius.net>



American International
Car Stereo Installation Kits & Accessories



TOYK972/972S Mounting Kit



American International

WWW.AIUS.NET

2500 East Francis Street Ontario, CA 91761, U.S.A.

USA Sales (800) 336-6500

Canada Sales (888) 922-3006

CUSTOMER HELP LINE

USA 800-323-4329 • Canada 800-245-8777 iTOYK972/972S

VEHICLE APPLICATIONS

*Also Available in Silver TOYK972S

Toyota

2005-11 TACOMA

DASH DISASSEMBLY INSTRUCTIONS

1. Carefully pry the climate control module forward and rest out of the way.
2. Remove the (4) 10mm bolts securing the bottom of the factory radio to the sub-dash.
3. Carefully pull Radio/Hazard/Clock Passenger airbag light assembly forward to disengage the panel fastener clips at the top of the radio panel and lower sides.
4. Pull entire radio assembly forward, disconnect all wire harnesses and antenna lead from rear of radio and Hazard/Clock/Passenger Airbag Light module and remove radio assembly.

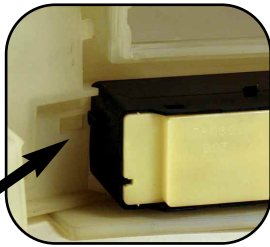
Hazard button/Clock/Passenger Airbag Light Module Removal instructions

1. Remove the (2) small Phillips screws from each side of the factory radio that secure the radio to the rear of the radio face and pull the radio assembly away from the back of the face of the radio and set aside with the screws that were removed.
2. Using a couple of small flat blade screwdrivers, carefully remove the Hazard/Clock/Passenger Airbag Light Module by prying the thin plastic strip from around the module housing outward to release the module from the housing. There are (2) retaining snaps on the top side and the bottom side, and (1) on each side edge.
3. Once you have the module removed, re-attach the radio assembly back to the rear of the factory radio face using the same screws that were removed from the rear of the radio.
4. Carefully remove the single plastic mounting clip (white or yellow) from each lower mounting stud on the rear of the factory radio assembly and attach to the lower mounting studs on each side of the TOY-K972 kit.
5. Attach (1) of the metal spring clips included with the TOY-K972 kit to each of the (3) upper mounting studs at the top rear side of the kit.

Hazard button/Clock/Passenger Airbag Light Module Installation Instructions

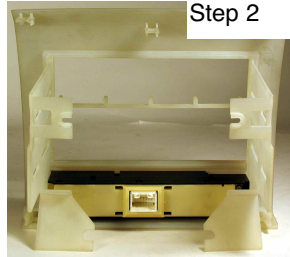
Step 1

Fig. A



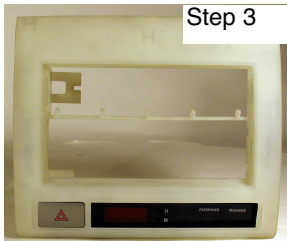
Line up notches and insert bracket into kit, making sure the Control Box is seated properly

Step 2



Back view of completed assembly of brackets and Control Box

Step 3



Front view of Control Box in the kit.

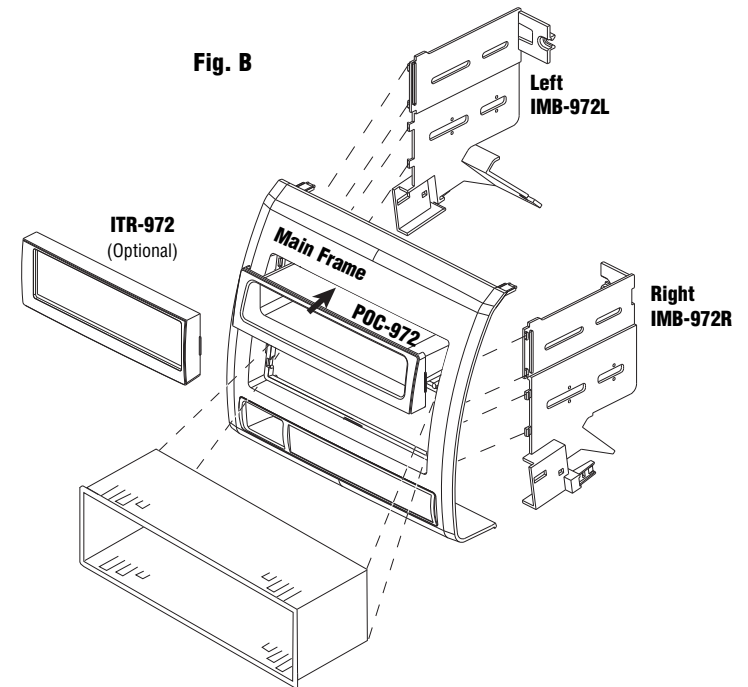
NOTES:

NOTES:

KIT ASSEMBLY INSTRUCTIONS

Single DIN Mount Applications

1. Place Main Frame face down.
2. Insert module, as shown in Figure A, between mounting brackets.
3. Attach side brackets to rear side of kit as shown in Figure B below and Figure A on page 2.
4. Insert pocket (part # POC-972) into upper section of the main frame.
5. Attach left and right side brackets to the rear of the pocket using screws supplied.
6. Insert DIN sleeve from your new radio into the upper section of the installation kit.
7. Depress the tabs from inside the sleeves opening upward, outward, and downward to secure sleeve to the installation kit.
8. Install radio into sleeve and lock into place.
9. Attach a rear support bracket to the rear of the new radio and adjust as necessary to attach to the rear support stud located on the back of the pocket using the small phillips screw supplied with kit.



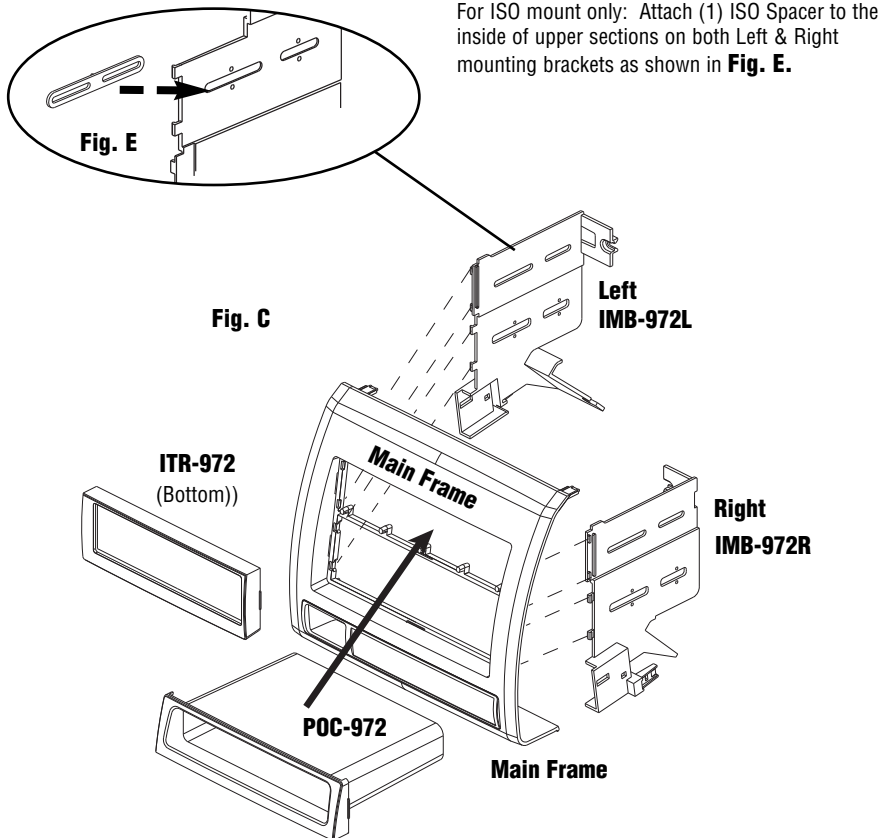
NOTE: ISO trim ring (ITR-972) may be used in place of after-market radio's removable trim ring.

KIT ASSEMBLY INSTRUCTIONS

Single ISO Mount Applications

1. Place Main Frame face down.
2. Insert module, as shown in Figure A, between mounting brackets.
3. Attach side brackets to rear side of kit as shown in Figure C below and Figure A on page 2.
4. Insert pocket (part # POC-972) into upper section of the main frame.
5. Attach left and right side brackets to the rear of the pocket using screws supplied.
6. Attach (1) ISO Spacer to the inside of upper section on both Left & Right mounting brackets as shown in Fig. E. (See Note #2 below)
7. Insert ISO mountable radio between ISO mount brackets and loosely attach to sides of radio using screws provided with radio when possible or hardware included with kit.
8. Slide radio component forward or backward for desired look and tighten screws.
9. Attach a rear support bracket to the rear of the new radio and adjust as necessary to attach to the rear support stud located on the back of the pocket using the small phillips screw supplied with kit.

NOTE: 1) ISO trim ring (ITR-972) may be used in place of after-market radio's removable trim ring.
2) Spacers must read upright (This side up for single ISO install).



KIT ASSEMBLY INSTRUCTIONS

Double DIN & Double ISO Mount Applications

1. Place Main Frame face down.
2. Insert module, as shown in Figure A on page 2, between mounting brackets.
3. Attach side brackets to rear side of kit as shown in Figure D below and Figure A on page 2.
4. Remove center rib from DITR-972 and file edges smooth.
5. Follow steps 4-8 from single ISO instructions on page 4. (See Note #2 below)
6. Attach a rear support bracket to the rear of the radio components and adjust as needed to allow rear support bracket to rest in the sub-dash.

NOTE: 1) ISO trim ring (DITR-972) must be used in place of after-market radio's trim rings. For ISO mount applications, mount after-market radio components to side brackets using screws provided with radio when possible or hardware included with kit.
2) Spacers must read upright (This side up for single DBL ISO install).

