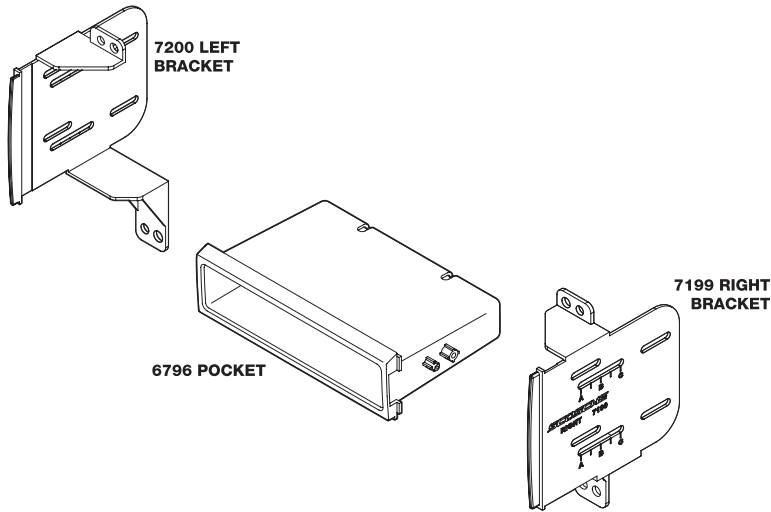


**IN-DASH STEREO INSTALLATION KIT FOR
2011 NISSAN ROGUE**



INTRODUCTION / PRELIMINARY

This premium installation kit is for 2011 Nissan Rogue vehicles. Included are all the parts you need to mount your car stereo or CD player into your vehicle's dash. Refer to the individual instruction in this manual to remove your vehicle's factory radio and assemble the kit.

CAUTION
DISCONNECT YOUR VEHICLE'S NEGATIVE BATTERY TERMINAL BEFORE THE INSTALLATION TO HELP PREVENT ELECTRICAL DAMAGE. WE RECOMMEND THE USE OF A VOLT/OHM METER OVER A TEST LIGHT TO CHECK WIRING. A TEST LIGHT OR GROUNDED WIRE PROBE CAN CAUSE DAMAGE TO THE VEHICLE'S COMPUTER AND/OR DIAGNOSTIC SYSTEMS. AVOID ALL FACTORY AIRBAG WIRING - AIRBAGS CAN ACCIDENTALLY DEPLOY CAUSING SERIOUS INJURY OR DEATH.

- NOTES**
- See your vehicle's instructions for any special tools your installation might require.
 - Read all instructions accompanying your car stereo for proper wiring and mounting instructions.

FACTORY WIRING CODES

For Factory Wiring Codes go to: www.scosche-cars.com

CAR STEREO CONNECTORS	
PROVIDE EASY CONNECTION OF YOUR CAR STEREO TO FACTORY WIRING HARNESS.	
NNO4B 2007-up Nissan Versa	NAA2B 2007-up Nissan Versa Antenna Adapter

LIABILITY DISCLAIMER

This instruction booklet is based on carefully documented data and research of automobile dash disassembly, wire harness/codes and information pertaining to installation of this kit (NN1670B) in 2011 Nissan Rogue vehicles. Scosche Industries, Inc. can not be held responsible for discrepancies/inconsistencies that may occur due to the automobile manufacturing changes or options, or damage that may occur in the automobile during the installation of components while using this booklet.

If you have any further questions, call our toll free technical help line at: **1-800-621-3695x3**

FACTORY STEREO REMOVAL

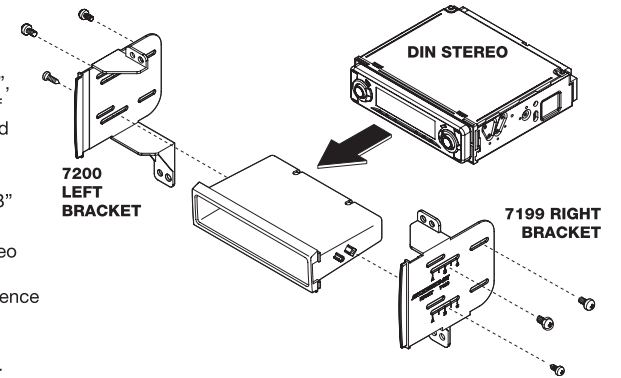
2011 NISSAN ROGUE

1. With panel removal tool unclip top center speaker panel above upper vents.
2. Extract (4) Phillips screws from center speaker area.
3. With panel removal tool, unclip upper vent panel.
4. With panel removal tool, unclip Lower A/C control panel.
5. Extract (4) Phillips screws from radio.
6. Unplug and remove radio.

MOUNTING THE STEREO

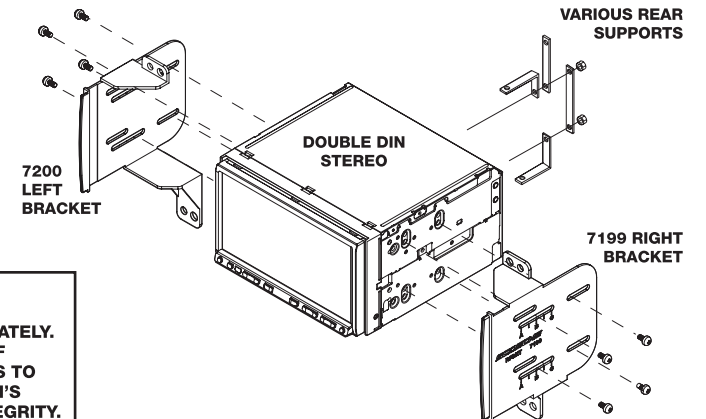
DIN-ISO MOUNT

1. Align 7199 (right) & 7200 (left) brackets to appropriate sides of 6796 pocket with the bottom "A", "B" & "C" slots. The front peg of pocket should rest as far forward in the slot as possible.
2. Secure pocket, using supplied screws, in the post above the "B" markings.
3. Align aftermarket single-din stereo with top hole pattern of kit. Use reference indicator lines "A", "B", & "C" to match desired alignment on both sides.
4. Mount brackets using hardware supplied with aftermarket stereo and bolt/secure in place.
Note: If hardware is not supplied with aftermarket stereo reuse hardware from factory stereo.



DOUBLE DIN-ISO MOUNT

1. Align 7199 (right) & 7200 (left) brackets to appropriate sides of aftermarket double-din stereo. Use reference indicator lines "A", "B", & "C" to match desired alignment on both sides.
2. Mount brackets using hardware supplied with aftermarket stereo and bolt/secure in place.
Note: If hardware is not supplied with aftermarket stereo reuse hardware from factory stereo.



NOTE:
REAR SUPPORT AVAILABLE SEPARATELY. REAR SUPPORT OF THE STEREO ADDS TO THE INSTALLATION'S STRUCTURAL INTEGRITY.