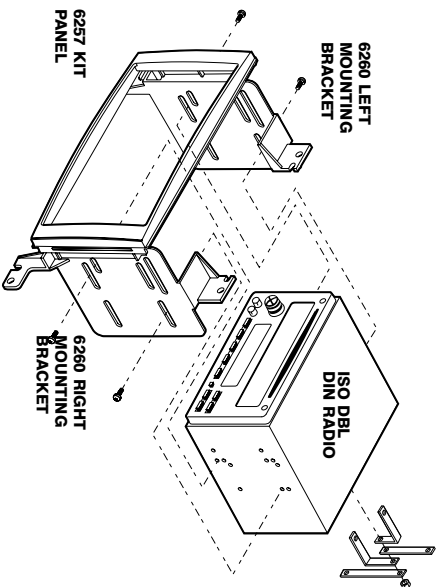


MOUNTING THE RADIO

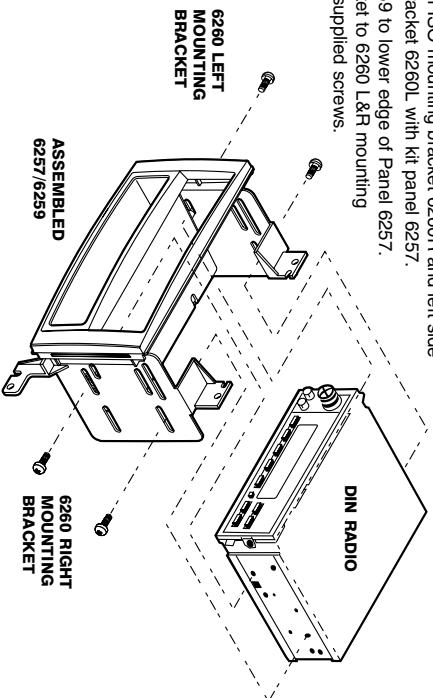
TWO DIN ISO / DBL -DIN ISO MOUNT

1. Align right side of ISO mounting bracket 6260R and left side ISO mounting bracket 6260L with kit panel 6257. Place mounting brackets with matching locating slots on kit panel (two slots on each side).
2. Align ISO DBL DIN radio. Use hardware supplied with radio to bolt the 6257/L/R.



DIN ISO WITH POCKET MOUNT

1. Align right side of ISO mounting bracket 6260R and left side ISO mounting bracket 6260L with kit panel 6257.
2. Align Pocket 6259 to lower edge of Panel 6257. Secure the Pocket to 6260 L&R mounting brackets, using supplied screws.



2007 Hyundai Santa Fe

RADIO REMOVAL:

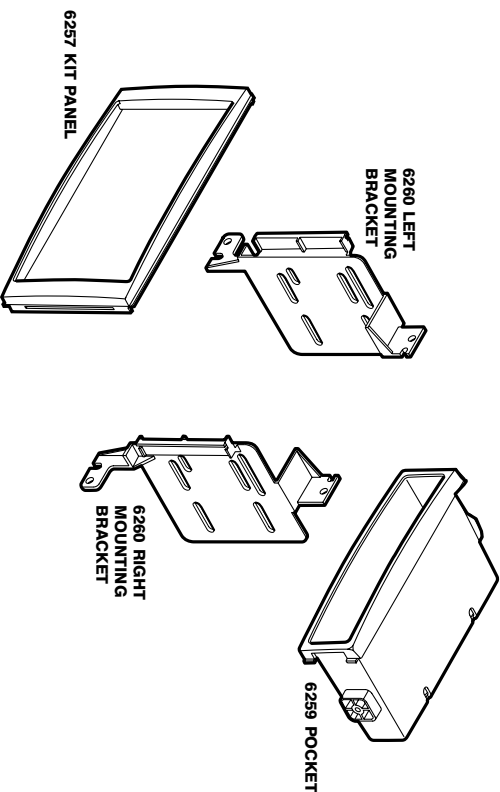
1. Locate pocket at top of radio extract (2) phillips head screws and remove pocket.
2. Using a panel removal tool, pry and pop off wood grain bezel off.
3. Once wood grain bezel has been removed extract (2) phillips head screws located at bottom of vents.
4. Using a panel removal tool, gently pry out dash disconnect harnesses and remove dash
5. Extract (4) phillips head screws securing radio.

RADIO REMOVAL

SCOSCHE®

HY1612B

IN-DASH INSTALLATION KIT FOR 2007 HYUNDAI SANTA FE



INTRODUCTION / PRELIMINARY

This premium installation kit is for 2007 Hyundai Santa Fe vehicles. Included are all the parts you need to mount your car stereo/cassette or CD player into your vehicle's dash. Refer to the parts you instruction in this manual to remove your vehicle's factory radio and assemble the kit.

CAUTION:
DISCONNECT YOUR VEHICLES NEGATIVE BATTERY TERMINAL BEFORE THE INSTALLATION TO HELP PREVENT ELECTRICAL DAMAGE. WE RECOMMEND THE USE OF A VOLT/OHM METER OVER A TEST LIGHT TO CHECK WIRING. A TEST LIGHT OR GROUNDED WIRE PROBE CAN CAUSE DAMAGE TO THE VEHICLES COMPUTER AND/OR DIAGNOSTIC SYSTEMS. AVOID ALL FACTORY AIRBAG WIRING - AIRBAGS CAN ACCIDENTALLY DEPLOY CAUSING SERIOUS INJURY OR DEATH.

NOTES:

- See your vehicle's instructions for any special tools your installation might require.
- Read all instructions accompanying your car stereo/cassette player for proper wiring and mounting instructions.

FACTORY WIRING CODES

For Factory Wiring Codes go to: www.scosche-cars.com

CAR STEREO CONNECTORS	HYO9B
PROVIDE EASY CONNECTION OF YOUR CAR STEREO TO FACTORY WIRING HARNESS.	Photo not available
HYO9B Hyundai	

LIABILITY DISCLAIMER

This instruction booklet is based on carefully documented data and research of automobile dash disassembly, wire harness/codes and information pertaining to installation of this kit (HY1612B) in 2007 Hyundai Santa Fe Vehicles. Scosche Industries, Inc. can not be held responsible for discrepancies/inconsistencies that may occur due to the automobile manufacturing changes or options, or damage that may occur in the automobile during the installation of components while using this booklet.

If you have any further questions, call our toll free technical help line at: **1-800-621-3695x3**
© 2007 SCOSCHE INDUSTRIES, INC. SI 04/07 - HY1618B (3000003)