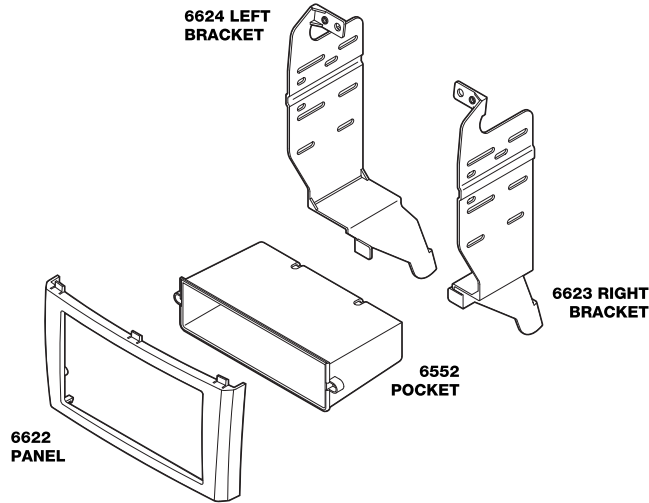


IN-DASH DOUBLE DIN INSTALLATION KIT FOR 2000-03 NISSAN MAXIMA



INTRODUCTION/PRELIMINARY

This premium installation kit is for 2000-03 Nissan Maxima vehicles. Included are all the parts you need to mount your car stereo or CD player into your vehicle's dash. Refer to the individual instruction in this manual to remove your vehicle's factory radio and assemble the kit.

CAUTION
DISCONNECT YOUR VEHICLE'S NEGATIVE BATTERY TERMINAL BEFORE THE INSTALLATION TO HELP PREVENT ELECTRICAL DAMAGE. WE RECOMMEND THE USE OF A VOLT/OHM METER OVER A TEST LIGHT TO CHECK WIRING. A TEST LIGHT OR GROUNDED WIRE PROBE CAN CAUSE DAMAGE TO THE VEHICLE'S COMPUTER AND/OR DIAGNOSTIC SYSTEMS. AVOID ALL FACTORY AIRBAG WIRING - AIRBAGS CAN ACCIDENTALLY DEPLOY CAUSING SERIOUS INJURY OR DEATH.

- NOTES**
- See your vehicle's instructions for any special tools your installation might require.
 - Read all instructions accompanying your car stereo for proper wiring and mounting instructions.

FACTORY WIRING CODES

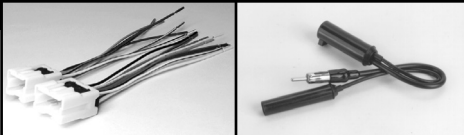
For Factory Wiring Codes go to: www.scosche-cars.com

CAR STEREO CONNECTORS

PROVIDE EASY CONNECTION OF YOUR CAR STEREO TO FACTORY WIRING HARNESS.

NN03B
 1995-Up Nissan

NDAB
 Nissan Diversity
 Antenna Adapter



LIABILITY DISCLAIMER

This instruction booklet is based on carefully documented data and research of automobile dash disassembly, wire harness/codes and information pertaining to installation of this kit (NN1648B) in 2000-03 Nissan Maxima vehicles. Scosche Industries, Inc. cannot be held responsible for discrepancies/inconsistencies that may occur due to the automobile manufacturing changes or options, or damage that may occur in the automobile during the installation of components while using this booklet.

If you have any further questions, call our toll free technical help line at: **1-800-621-3695x3**

FACTORY STEREO REMOVAL

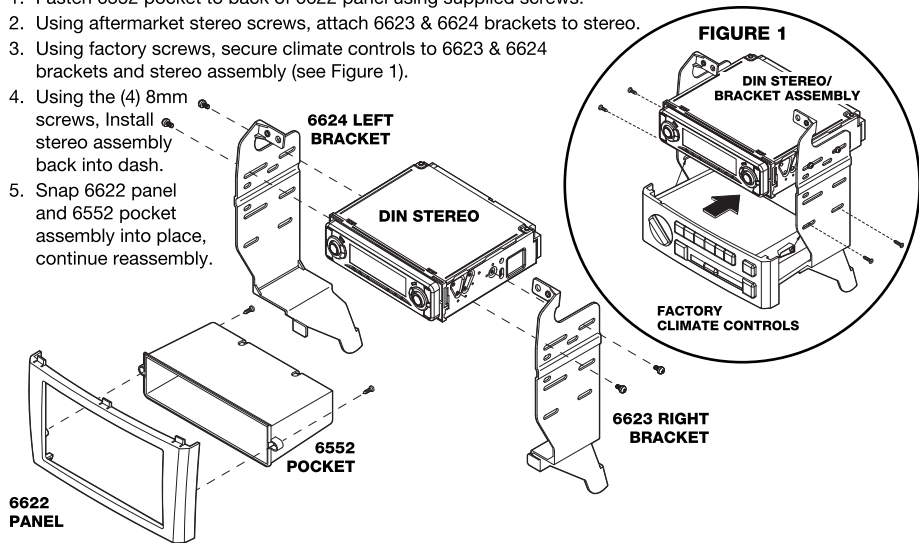
2000-03 NISSAN MAXIMA

1. Pull top vent toward you and remove.
2. Using panel removal tool, remove trim panel around shifter.
3. Extract (2) 8mm screws above stereo.
4. Extract (2) 8mm screws below heater control.
5. Unplug and remove stereo.
6. Remove factory climate controls from factory brackets and stereo assembly.

MOUNTING THE STEREO

DIN-ISO MOUNT

1. Fasten 6552 pocket to back of 6622 panel using supplied screws.
2. Using aftermarket stereo screws, attach 6623 & 6624 brackets to stereo.
3. Using factory screws, secure climate controls to 6623 & 6624 brackets and stereo assembly (see Figure 1).
4. Using the (4) 8mm screws, install stereo assembly back into dash.
5. Snap 6622 panel and 6552 pocket assembly into place, continue reassembly.



DOUBLE DIN-ISO MOUNT

1. Using aftermarket stereo screws, attach 6623 & 6624 brackets to aftermarket Double Din stereo.
2. Using factory screws, secure climate controls to 6623 & 6624 brackets and stereo assembly (see Figure 2).
4. Using the (4) 8mm screws, install stereo assembly back into dash.
5. Snap 6622 panel into place, continue reassembly.

