



Dodge Ram 1500 1998-2001 / Dodge Ram 2500/3500 1998-2002

Visit MetraOnline.com for more detailed information about the product and up-to-date vehicle specific applications

KIT FEATURES

- ISO DDIN radio provision

KIT COMPONENTS

- A) Radio trim panel • B) Radio brackets • C) Cut template

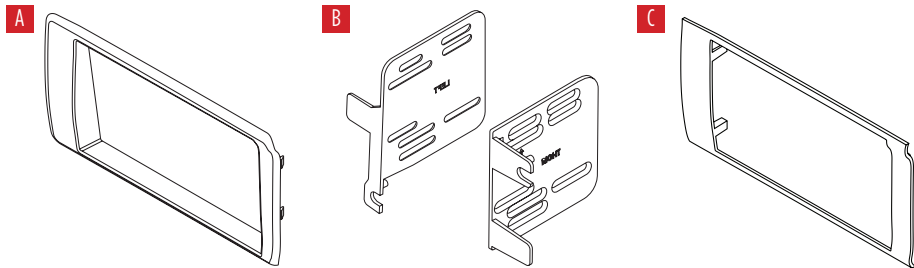


TABLE OF CONTENTS

Dash Disassembly	2
Kit Preparation	2-3
Kit Assembly	3

WIRING & ANTENNA CONNECTIONS (sold separately)

Wiring Harness: 70-1817

Antenna Adapter: Not required

TOOLS REQUIRED

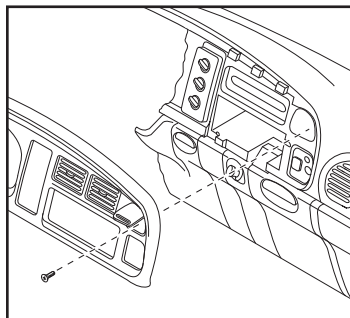
- Panel removal tool • Phillips screwdriver
- 3/8" Socket wrench • Cutting tool • Scribe tool

Attention! Let the vehicle sit with the key out of the ignition for a few minutes before removing the factory radio. When testing the aftermarket equipment, ensure that all factory equipment is connected before cycling the key to ignition.

DASH DISASSEMBLY

1. Open the power outlet cover and remove (1) Phillips screw. (Figure A)
Note: No screw present for year 2000-up models.
2. Unclip, unplug and remove the dashboard trim panel. (Figure A)
3. Remove (2) 3/8" hex-head screws securing the radio to the dash. Slide the radio out, then unplug and remove

Continue to Kit Preparation

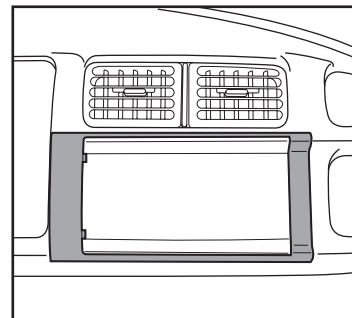


(Figure A)

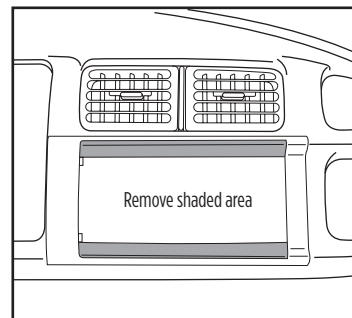
KIT PREPARATION

1. Place the **cut template** over the dashboard trim panel. (Figure A)
2. Using a scribe tool, score the area in the radio section to be cut. (Figure B)
3. Remove the **cut template**, then cut the scored area with a cutting tool.

Continued on the next page



(Figure A)

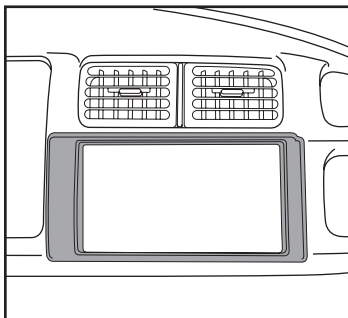


(Figure B)

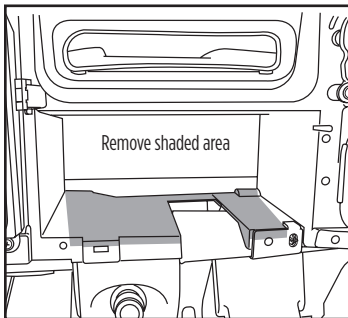
KIT PREPARATION (CONT.)

4. Clip the **radio trim panel** onto the dashboard trim panel. (Figure C)
5. Cut the sub-dash to allow room for the radio assembly. (Figure D)

Continue to Kit Assembly



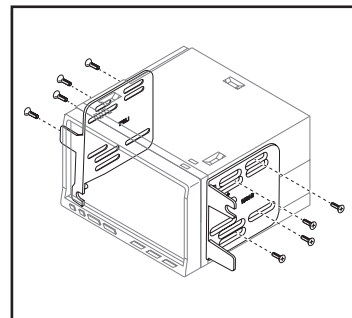
(Figure C)



(Figure D)

KIT ASSEMBLY

1. Secure the **radio brackets** to the radio using the screws supplied with the radio. (Figure A)
2. Locate the factory wiring harness and antenna connector in the dash and complete all necessary connections to the radio. Metra recommends using the proper mating adapter from Metra and/or Axxess. Test the radio for proper operation.
3. Secure the radio assembly to the dash using the factory screws.
4. Reassemble the dash in reverse order of disassembly to complete the installation.



(Figure A)



95-6551
INSTALLATION INSTRUCTIONS



If you are having difficulties with the installation of this product, contact our Tech Support line either by phone at **1-800-253-TECH**, or email at **techsupport@metra-autosound.com**. Before doing so, look over the instruction booklet a second time and ensure that the installation was performed exactly as the instruction booklet is stated. Have the vehicle apart and ready to perform troubleshooting steps before contacting Metra/Axxess Tech Support.



KNOWLEDGE IS POWER

Enhance your installation and fabrication skills by enrolling in the most recognized and respected mobile electronics school in our industry. Log onto www.installerinstitute.com or call 800-354-6782 for more information and take steps toward a better tomorrow.



Metra recommends MECP certified technicians