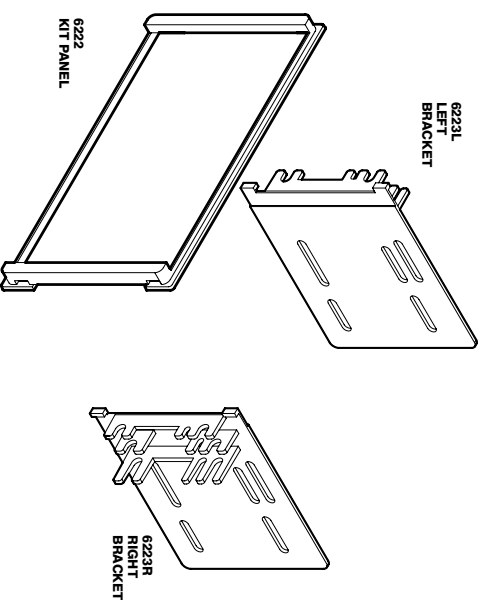


IN-DASH INSTALLATION KIT FOR 2001-2005 KIA DOUBLE DIN

KIA
2003-2005 SORRENTO LX
(Excluding sport models)
2002-2005 SEDONA
2002-2005 RIO
2001-2005 SPECTRA



INTRODUCTION / PRELIMINARY

This premium installation kit is for 2001-2005 Kia Double DIN vehicles. Included are all the parts you need to mount your car stereo/cassette or CD player into your vehicle's dash. Refer to the individual instruction in this manual to remove your vehicle's factory radio and assemble the kit.

CAUTION:

DISCONNECT YOUR VEHICLE'S NEGATIVE BATTERY TERMINAL BEFORE THE INSTALLATION TO HELP PREVENT ELECTRICAL DAMAGE. WE RECOMMEND THE USE OF A VOLT/OHM METER OVER A TEST LIGHT TO CHECK WIRING. A TEST LIGHT OR GROUNDED WIRE PROBE CAN CAUSE DAMAGE TO THE VEHICLE'S COMPUTER AND/OR DIAGNOSTIC SYSTEMS. AVOID ALL FACTORY AIRBAG WIRING - AIRBAGS CAN ACCIDENTALLY DEPLOY CAUSING SERIOUS INJURY OR DEATH.

NOTES:

- See your vehicle's instructions for any special tools your installation might require.
- Read all instructions accompanying your car stereo/cassette player for proper wiring and mounting instructions.

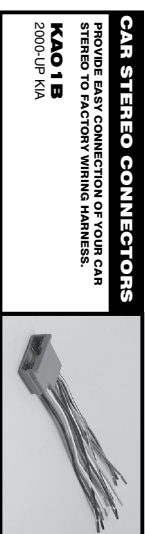
FACTORY WIRING CODES

For Factory Wiring Codes go to: www.scosche-cars.com

CAR STEREO CONNECTORS

PROVIDE EASY CONNECTION OF YOUR CAR STEREO TO FACTORY WIRING HARNESS.

KA01B
2000-UP KIA



LIABILITY DISCLAIMER

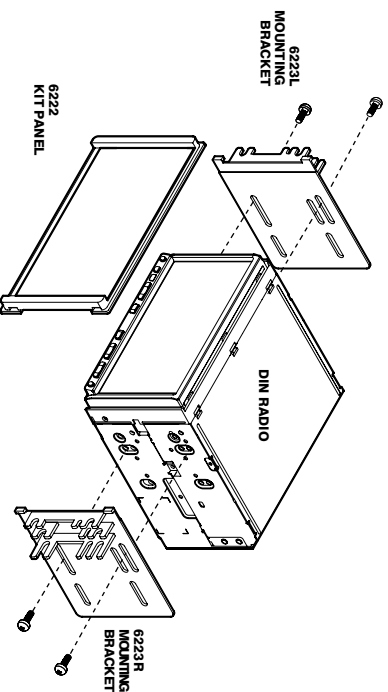
This instruction booklet is based on carefully documented data and research of automobile dash disassembly, wire harness/codes and information pertaining to installation of this kit (KA2071) in 2001-2005 KIA Double DIN Vehicles. Scosche Industries, Inc. can not be held responsible for discrepancies/inconsistencies that may occur due to the automobile manufacturing changes or options, or damage that may occur in the automobile during the installation of components while using this booklet.

If you have any further questions, call our toll free technical help line at: **1-800-621-3695x3**

MOUNTING THE RADIO

DIN RADIO INSTALLATION

1. Snap the 6223L/R brackets to the 6222 kit panel.
2. Align, position and bolt the aftermarket two ISODIN or one Double DIN head unit to the 6222 brackets. Use hardware supplied with radio to secure the mounting brackets.



RADIO REMOVAL

2003-2005 SORRENTO LX RADIO REMOVAL:

1. Open ashtray and unclip and remove side panels.
2. Extract (8) Phillips screws from the radio trim panel the remove the panel.
3. Extract (4) Phillips screws securing radio.

2002-2005 SEDONA RADIO REMOVAL:

1. Pull out ash try and extract (1) Phillips head screw from underneath.
2. Carefully pry out wood trim bezel, disconnect and remove.
3. Extract (4) Phillips head screws securing radio bezel, disconnect and remove.
4. Extract (4) Phillips head screws securing radio, Disconnect and remove.

2002-2005 RIO RADIO REMOVAL:

1. Remove the ashtray and extract (1) Phillips screw exposed in the ashtray cavity. (Phillips screw only in 2002 models)
2. Unclip and remove entire panel surrounding radio and climate controls. (2002 models remove the knob from fresh air/recirculate control).
3. Remove (4) Phillips screws securing radio.

2001-2003 SPECTRA RADIO REMOVAL:

1. Extract (2) Phillips screws in an upward angle above instrument cluster.
2. Vehicles without tilt steering only. Extract (3) Phillips screws from under steering column on steering column housing. Pop out steering column housing and remove. Remove 213mm bolts from steering column support. [One on each side of column] lower down column out of dashes way.
3. With tilt steering. Lower down steering wheel and using panel removal tool pop out dash bezel that surrounds instrument cluster, ac controls and radio. Disconnect and remove.
4. Extract (4) Phillips screws from radio disconnect and remove.

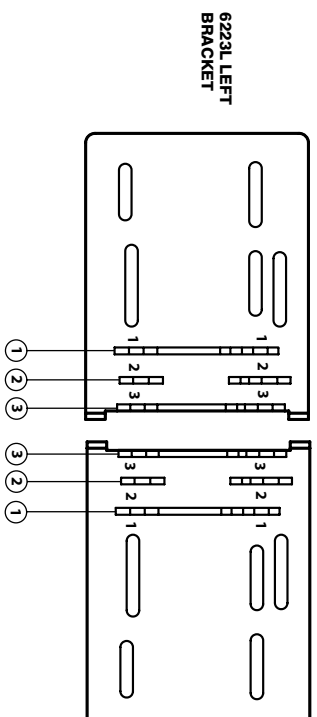
2004-2005 SPECTRA RADIO REMOVAL:

1. Using a panel removal tool remove the dash panel surrounding the radio. Disconnect and remove.
2. Extract (4) Phillips head screw securing the radio to the dash. Disconnect and remove.

TAB REMOVAL INSTRUCTIONS

TAB REMOVAL:

Cut and Remove the tabs according to the chart and referring to illustration below:



2002-2005 Kia Sedona and 2001-2003 Kia Spectra use tabs marked number two(2) on the brackets.
(Note : For 2001-2003 Kia Spectra final assembly please refer to 2001-2003 Kia Spectra final assembly below.)

2002-2005 Kia Rio use tabs marked number three (3) on the brackets.

2003-2005 Kia Sorrento LX and 2004-2005 Kia Spectra use tabs marked by number one (1) on the brackets

2001-2003 KIA SPECTRA ASSEMBLY

2001-2003 SPECTRA FINAL ASSEMBLY:

1. Place assembled radio, panel and brackets into dash opening, DO NOT bolt in.
2. Snap the trim bezel back into place and pressure fit kit into final position
3. Finish dash reassembly in reverse order of dash disassembly.