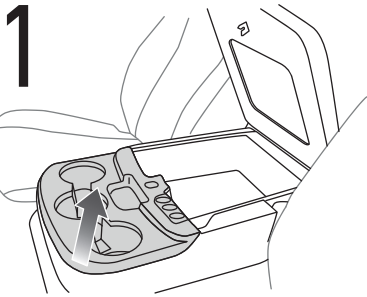


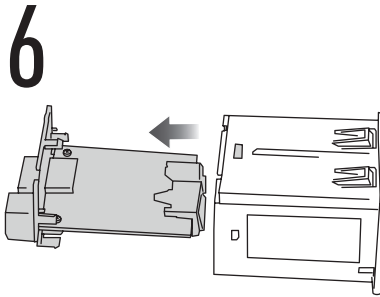
Instructions
en Français



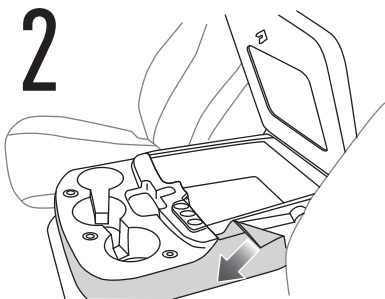
Instrucciones
en Español



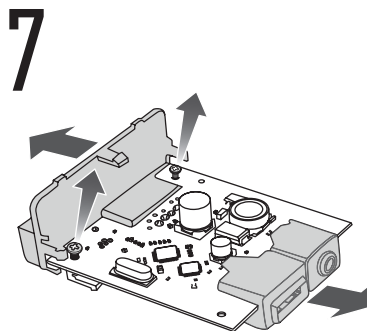
1 Open the center console lid and remove the cup holder cover.



6 Release locking tabs and pull the board out.



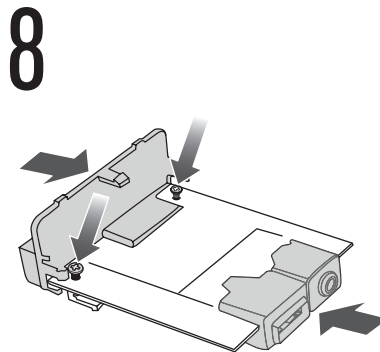
2 Expose bottom of the console by unseating the upholstery edge and pulling it down.



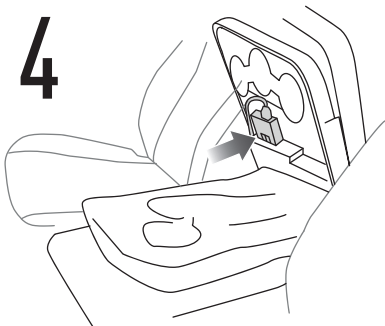
7 Remove plastic ends and screws from PCB board.



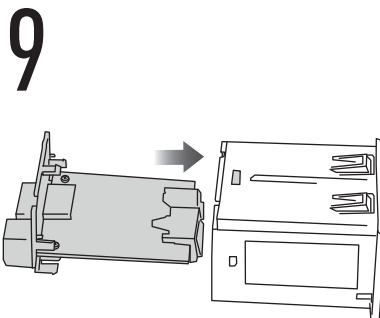
3 Pull the foam down to expose the backside of the media port.



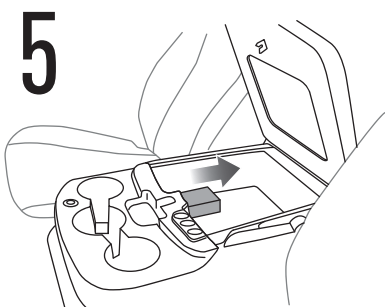
8 Reinstall plastic ends and screws back on new PCB board.



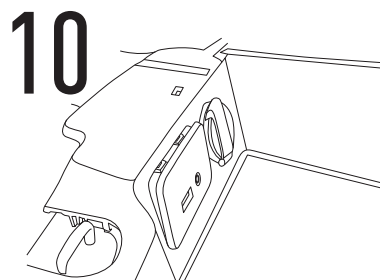
4 Push tabs and push the module forward to release it.



9 Slide board back into casing until the tabs lock in place.



5 Disconnect the plugs then depress the 4 locking tabs (2 on top and 2 on the bottom) and push the module forward to release it.



10 Reinsert the module and reassemble the center console.

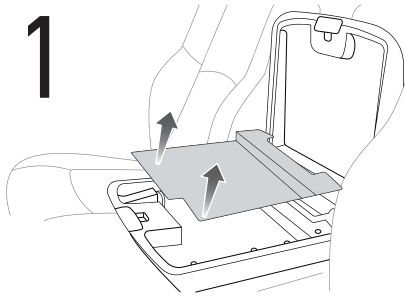
Instructions
en Français



Instrucciones
en Español

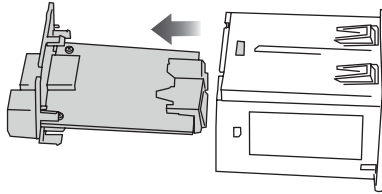


1



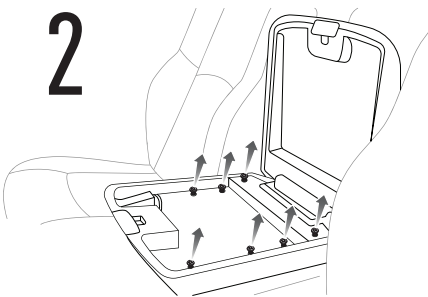
Open the center console lid and remove the rubber mat.

6



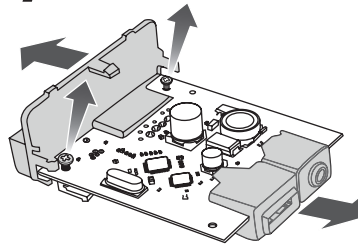
Release locking tabs and pull the board out.

2



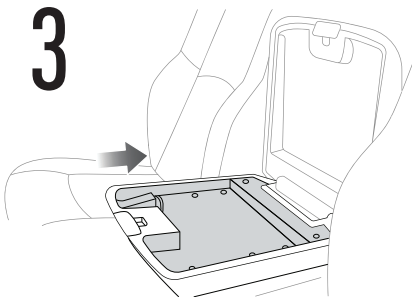
Remove the 7 screws.

7



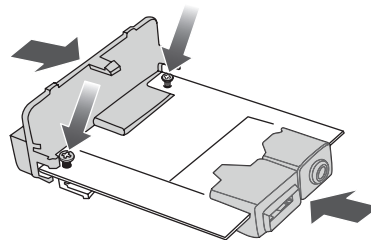
Remove plastic ends and screws from PCB board.

3



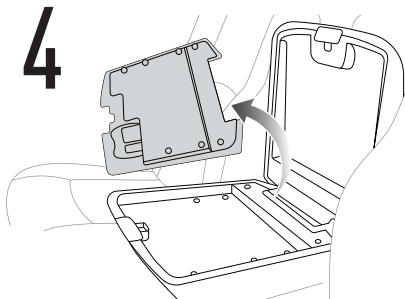
Slide the cover towards back.

8



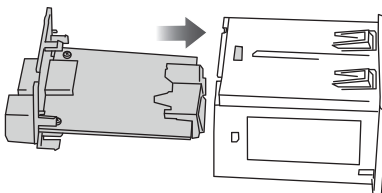
Reinstall plastic ends and screws back on new PCB board.

4



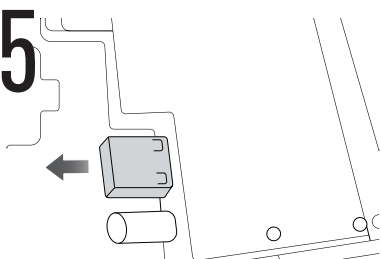
Lift the cover and flip it over.

9



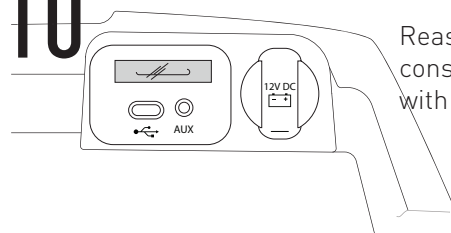
Slide board back into casing until the tabs lock in place.

5



Disconnect the plugs then depress the 4 locking tabs (2 on top and 2 on the bottom) and push the module forward to release it.

10



Reassemble the center console. Mask the SD slot with the sticker provided.