



INSTALLATION INSTRUCTIONS FOR PART 99-8260B

Toyota Highlander (with NAV) 2001-2007 99-8260B

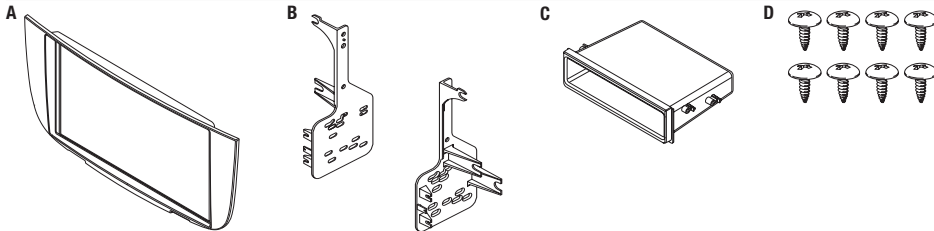
KIT FEATURES

- ISO DIN radio provision with pocket
- ISO DDIN radio provision
- **Painted matte black**



KIT COMPONENTS

- A) Radio trim panel • B) Radio brackets • C) Pocket • D) (8) #8 x 3/8" Phillips screws



WIRING & ANTENNA CONNECTIONS (sold separately)

Wiring Harness: • 70-1761 • 70-8113

Antenna Adapter: • Not Required

Table of Contents

Dash Disassembly	2
Kit Preparation	3
Kit Assembly	
– ISO DIN radio provision with pocket.....	4
– ISO DDIN radio provision	5

TOOLS REQUIRED

- Panel removal tool • Phillips screwdriver
- 10mm socket wrench

CAUTION! All accessories, switches, climate controls panels, and especially air bag indicator lights must be connected before cycling the ignition. Also, do not remove the factory radio with the key in the on position, or while the vehicle is running.

Dash Disassembly

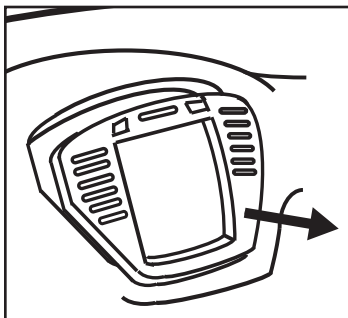
1. Unclip and remove the panel surrounding the radio and climate controls. (Figure A)

Note: There are (8) clips securing the panel.

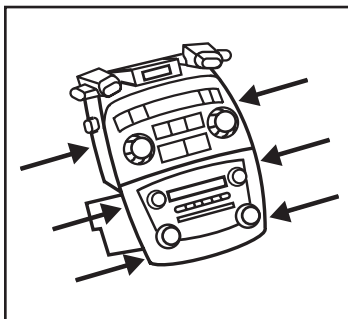
2. Remove the (6) 10mm bolts securing the radio and climate controls, then unplug and remove. (Figure B)

3. Remove (8) Phillips screws to separate the brackets from the assembly. Keep the climate control/display for kit assembly (Figure C)

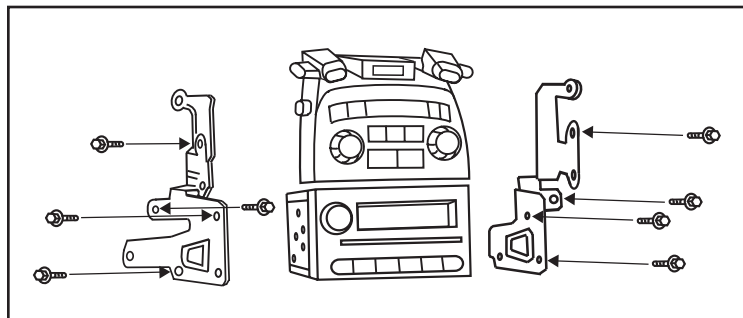
Continue to kit preparation



(Figure A)



(Figure B)

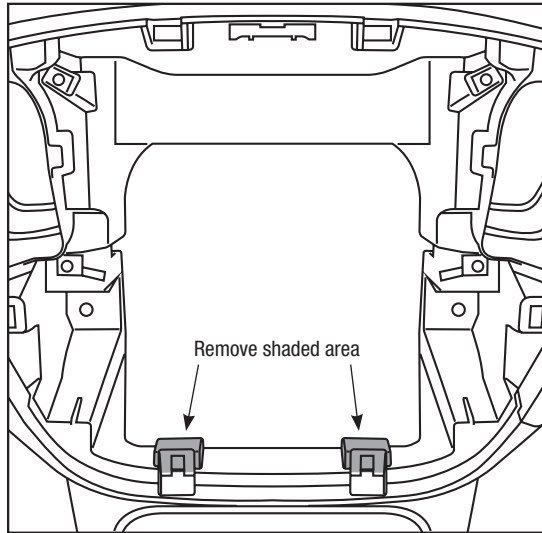


(Figure C)

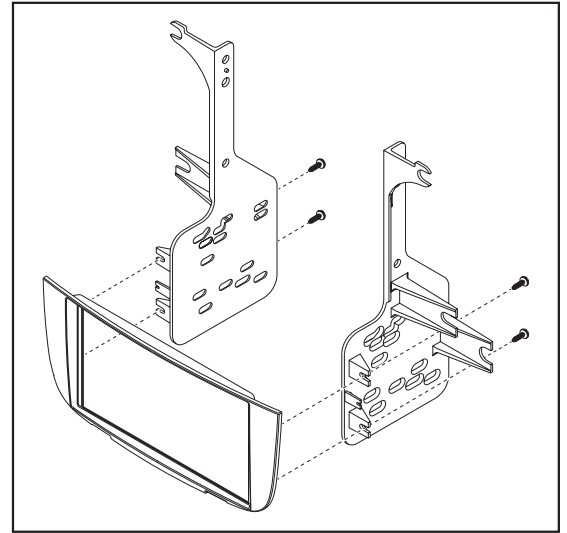
Kit Preparation

1. It may be necessary to cut and remove the top edges of the two factory clip locations in the sub-dash. (Figure A)
2. Attach the *radio brackets* to the *radio trim panel* using the (4) #8 x 3/8" Phillips screws supplied. (Figure B)

Continue to kit assembly



(Figure A)

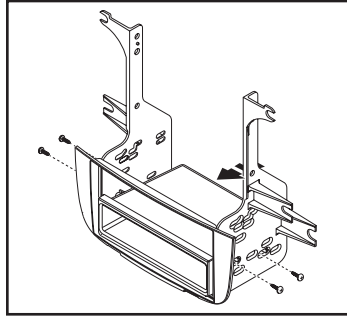


(Figure B)

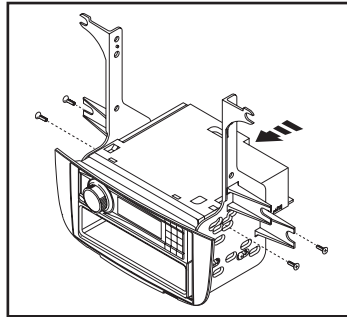
Kit Assembly

ISO DIN radio provision with pocket

1. Attach the *pocket* to the *radio bracket/trim panel assembly* using the (4) supplied #8 x 3/8" Phillips screws provided. (Figure A)
2. Remove the metal DIN sleeve and trim ring from the aftermarket radio.
3. Slide the radio into the completed assembly, and then secure it to the assembly using the screws supplied with the radio. (Figure B)
4. Attach the climate control/display removed in dash disassembly to the *trim panel/bracket assembly* with the factory hardware. (Figure C)

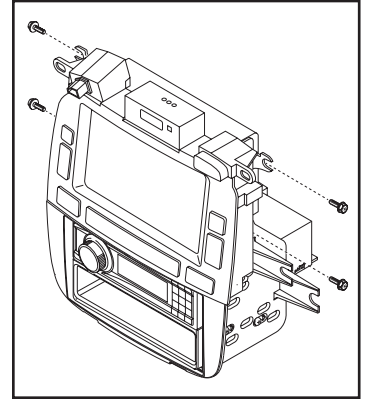


(Figure A)



(Figure B)

5. Locate the factory wiring harness and antenna connector in the dash, and complete all necessary connections to the radio. Metra recommends using the proper mating adapter from Metra and/or AXCESS. Test the radio for proper operation.
6. Reassemble the dash in reverse order of disassembly.

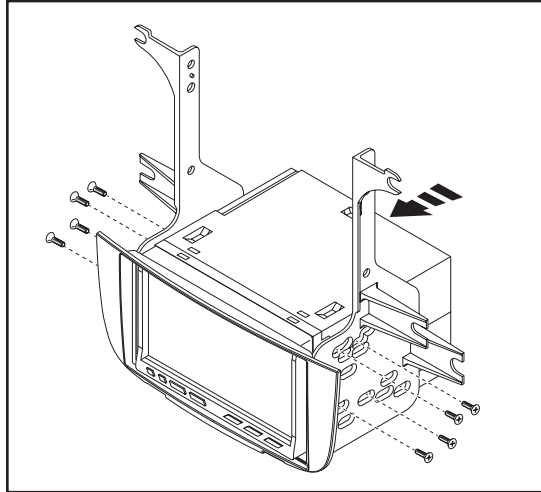


(Figure C)

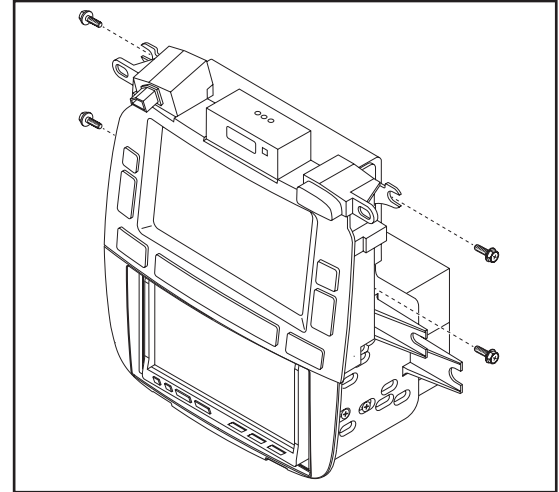
Kit Assembly

ISO DDIN radio provision

1. Attach the radio *bracket/trim panel assembly* to the radio using the screws supplied with the radio. (Figure A)
2. Attach the climate control/display removed in dash disassembly to the *trim panel/bracket assembly* with the factory hardware. (Figure B)
3. Locate the factory wiring harness and antenna connector in the dash, and complete all necessary connections to the radio. Metra recommends using the proper mating adapter from Metra and/or AXXESS. Test the radio for proper operation.
4. Reassemble the dash in reverse order of disassembly.



(Figure A)



(Figure B)



INSTALLATION INSTRUCTIONS FOR PART 99-8260B



IMPORTANT

If you are having difficulties with the installation of this product, please call our Tech Support line at 1-800-253-TECH. Before doing so, look over the instructions a second time, and make sure the installation was performed exactly as the instructions are stated. Please have the vehicle apart and ready to perform troubleshooting steps before calling.



KNOWLEDGE IS POWER

Enhance your installation and fabrication skills by enrolling in the most recognized and respected mobile electronics school in our industry. Log onto www.installerinstitute.com or call 800-354-6782 for more information and take steps toward a better tomorrow.



Metra recommends MECP certified technicians

REV 11/17/2016 INST99-8260B