

HONK820GB Mounting Kit



www.aampglobal.com www.iaus.net
2500 East Francis Street Ontario, CA 91761, U.S.A.
Sales: (800) 477-2267
Intl: (727) 572-9255
Support: 888-228-5560

VEHICLE APPLICATION

Honda
2017-19 CR-V (LX Trim Only)

DASH DISASSEMBLY INSTRUCTIONS

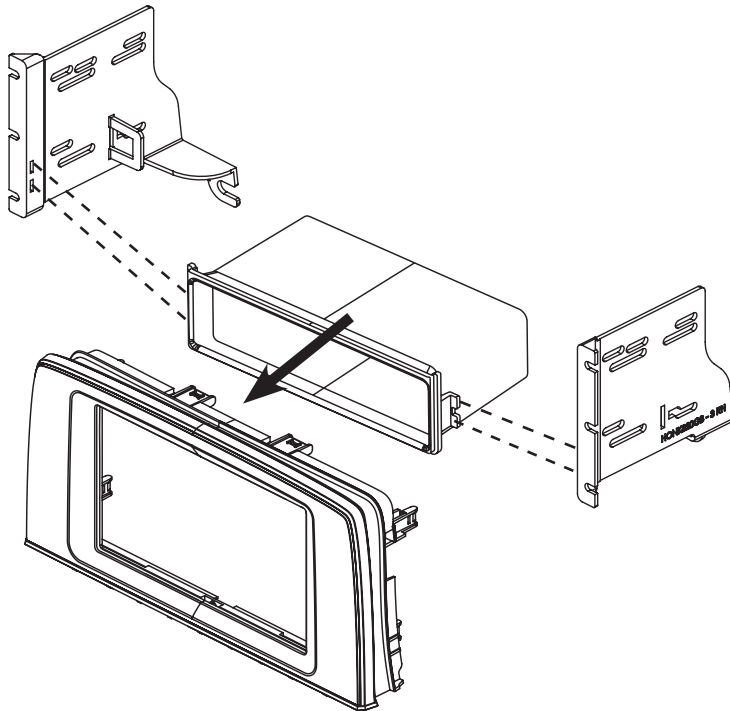
1. Gently unsnap and remove the climate controls.
2. Remove (2) Phillips head screws securing the radio mounting brackets
3. Remove factory radio and disconnect all wire harnesses.
4. Remove (6) post clips for use on the HONK820GB mainframe.

KIT ASSEMBLY INSTRUCTIONS

Single ISO Mount Application

1. Install the (6) clips from the factory radio to the rear of the HONK820GB main frame.
2. Insert pocket into lower section of the brackets and snap into rear pocket support tabs.
3. Install brackets to rear of main frame using the (6) screws provided
4. Insert ISO mountable radio between ISO mount brackets and loosely attach to sides of radio using screws provided with radio when possible, or screws supplied with kit.
5. Using the main frame of the as a guide, slide radio forward or backward for desired look and then tighten screws to the radio.

Figure A



DOUBLE DIN INSTALLATION INSTRUCTIONS

Double DIN ISO Mount Application

See Fig B for bracket tab removal.

1. Install the (6) clips from the factory radio to the rear of the HONK820GB main frame.
2. Remove rear pocket support tabs.
3. Install brackets to rear of main frame using the (6) screws provided
4. Insert ISO mountable radio between ISO mount brackets and loosely attach to sides of radio using screws provided with radio when possible, or screws supplied with kit.
5. Using the main frame of the as a guide, slide radio forward or backward for desired look and then tighten screws to the radio.

Figure B

