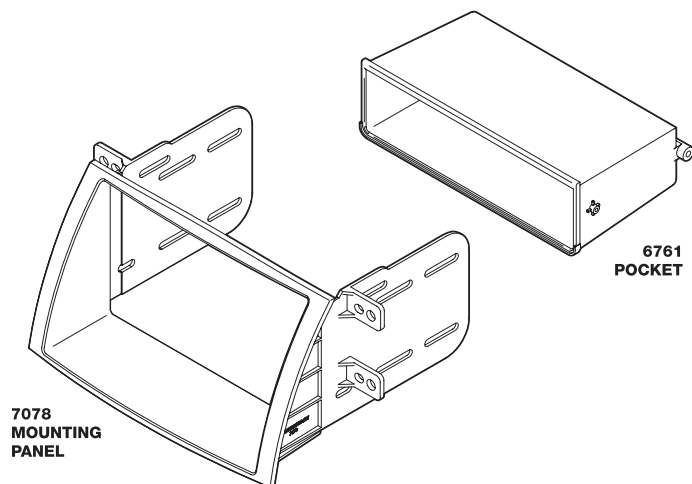


IN-DASH STEREO INSTALLATION KIT FOR 2011 KIA SORRENTO



INTRODUCTION/PRELIMINARY

This premium installation kit is for 2011 Kia Sorrento vehicles. Included are all the parts you need to mount your car stereo or CD player into your vehicle's dash. Refer to the individual instruction in this manual to remove your vehicle's factory radio and assemble the kit.

CAUTION

DISCONNECT YOUR VEHICLE'S NEGATIVE BATTERY TERMINAL BEFORE THE INSTALLATION TO HELP PREVENT ELECTRICAL DAMAGE. WE RECOMMEND THE USE OF A VOLT/OHM METER OVER A TEST LIGHT TO CHECK WIRING. A TEST LIGHT OR GROUNDED WIRE PROBE CAN CAUSE DAMAGE TO THE VEHICLE'S COMPUTER AND/OR DIAGNOSTIC SYSTEMS. AVOID ALL FACTORY AIRBAG WIRING - AIRBAGS CAN ACCIDENTALLY DEPLOY CAUSING SERIOUS INJURY OR DEATH.

NOTES

- See your vehicle's instructions for any special tools your installation might require.
- Read all instructions accompanying your car stereo for proper wiring and mounting instructions.

FACTORY WIRING CODES

For Factory Wiring Codes go to: www.scosche-cars.com

CAR STEREO CONNECTORS

PROVIDE EASY CONNECTION OF YOUR CAR STEREO TO FACTORY WIRING HARNESS.

HY10B
2008-Up Hyundai
Harness

KAAB
2008-Up Select Kia /
Hyundai Antenna Adapter

HY10B



KAAB



LIABILITY DISCLAIMER

This instruction booklet is based on carefully documented data and research of automobile dash disassembly, wire harness/codes and information pertaining to installation of this kit (KA2098B) in 2009-Up Kia Sorrento vehicles. Scosche Industries, Inc. cannot be held responsible for discrepancies/inconsistencies that may occur due to the automobile manufacturing changes or options, or damage that may occur in the automobile during the installation of components while using this booklet.

If you have any further questions, call our toll free technical help line at: **1-800-621-3695x3**

FACTORY STEREO REMOVAL

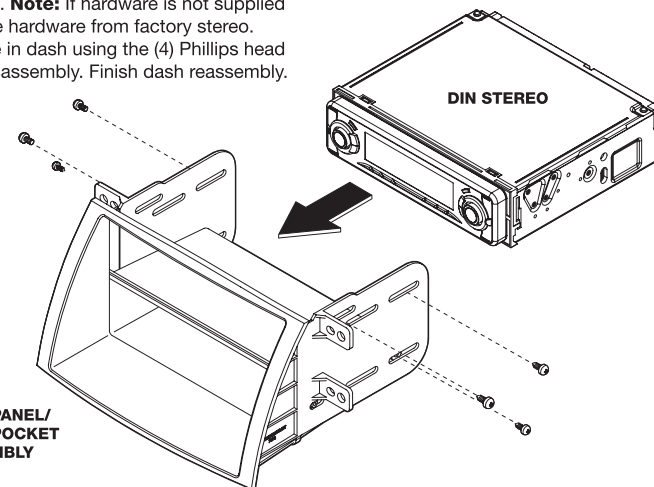
2011 KIA SORRENTO

1. With panel removal tool, unclip the AUX/USB/12V panel, unplug, remove and extract (2) Phillips head screws revealed.
2. With panel removal tool, unclip panel that surrounds radio/AC, unplug and remove.
3. Extract (4) Phillips head screws securing A/C panel and drop down.
4. Extract (4) Phillips head screws securing radio, unplug and remove.

MOUNTING THE STEREO

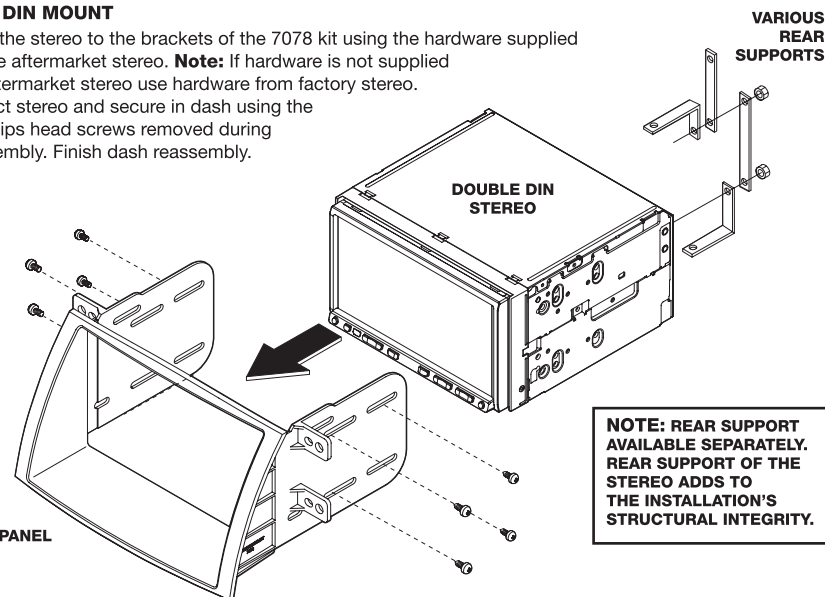
SINGLE DIN MOUNT

1. Attach 6761 pocket to 7078 panel using screws supplied with kit.
2. Mount the stereo to the brackets of the 7078 kit using the hardware supplied with the aftermarket stereo. **Note:** If hardware is not supplied with aftermarket stereo use hardware from factory stereo.
3. Connect stereo and secure in dash using the (4) Phillips head screws removed during disassembly. Finish dash reassembly.



DOUBLE DIN MOUNT

1. Mount the stereo to the brackets of the 7078 kit using the hardware supplied with the aftermarket stereo. **Note:** If hardware is not supplied with aftermarket stereo use hardware from factory stereo.
2. Connect stereo and secure in dash using the (4) Phillips head screws removed during disassembly. Finish dash reassembly.



NOTE: REAR SUPPORT AVAILABLE SEPARATELY. REAR SUPPORT OF THE STEREO ADDS TO THE INSTALLATION'S STRUCTURAL INTEGRITY.