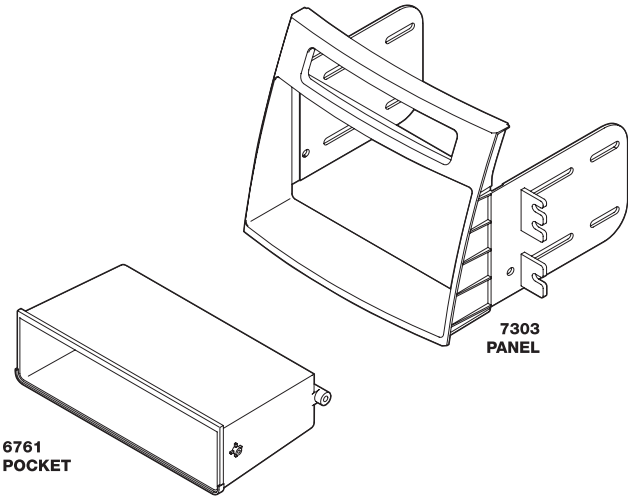


IN-DASH STEREO INSTALLATION KIT FOR 2012 KIA SOUL



INTRODUCTION/PRELIMINARY

This premium installation kit is for 2012 Kia Soul vehicles. Included are all the parts you need to mount your car stereo or CD player into your vehicle's dash. Refer to the individual instruction in this manual to remove your vehicle's factory radio and assemble the kit.

CAUTION

DISCONNECT YOUR VEHICLE'S NEGATIVE BATTERY TERMINAL BEFORE THE INSTALLATION TO HELP PREVENT ELECTRICAL DAMAGE. WE RECOMMEND THE USE OF A VOLT/OHM METER OVER A TEST LIGHT TO CHECK WIRING. A TEST LIGHT OR GROUNDED WIRE PROBE CAN CAUSE DAMAGE TO THE VEHICLE'S COMPUTER AND/OR DIAGNOSTIC SYSTEMS. AVOID ALL FACTORY AIRBAG WIRING - AIRBAGS CAN ACCIDENTALLY DEPLOY CAUSING SERIOUS INJURY OR DEATH.

NOTES

- See your vehicle's instructions for any special tools your installation might require.
- Read all instructions accompanying your car stereo for proper wiring and mounting instructions.

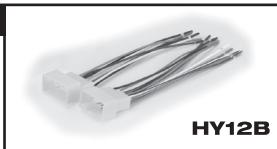
FACTORY WIRING CODES

For Factory Wiring Codes go to: www.scosche-cars.com

CAR STEREO CONNECTORS

PROVIDE EASY CONNECTION OF YOUR CAR STEREO TO FACTORY WIRING HARNESS.

HY12B
2010-up Hyundai Harness



LIABILITY DISCLAIMER

This instruction booklet is based on carefully documented data and research of automobile dash disassembly, wire harness/ codes and information pertaining to installation of this kit (KA2412B) in 2012 Kia Soul vehicles. Scosche Industries, Inc. cannot be held responsible for discrepancies/inconsistencies that may occur due to the automobile manufacturing changes or options, or damage that may occur in the automobile during the installation of components while using this booklet.

If you have any further questions, call our toll free technical help line at: **1-800-621-3695x3**

FACTORY STEREO REMOVAL

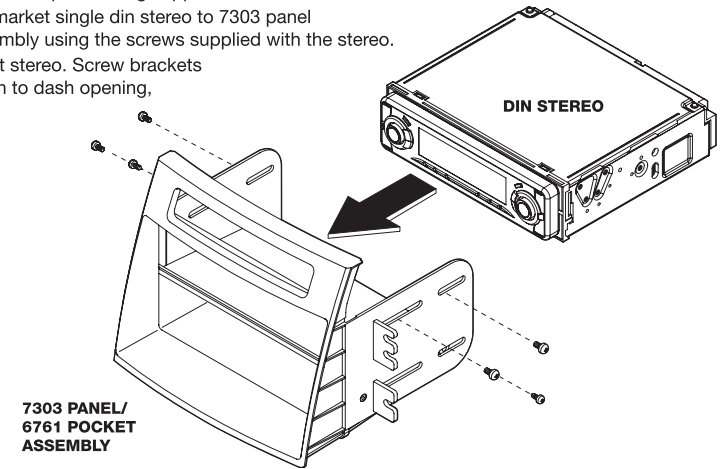
2012 KIA SOUL

1. Use Panel Removal Tool (PRT) to unclip and remove center channel grill cover.
2. Use PRT to unclip and remove radio bezel.
3. Unscrew (4) Phillips head screws securing the A/C controls, unplug and remove.
4. Unscrew (4) Phillips head screws securing the radio, unplug and remove

MOUNTING THE STEREO

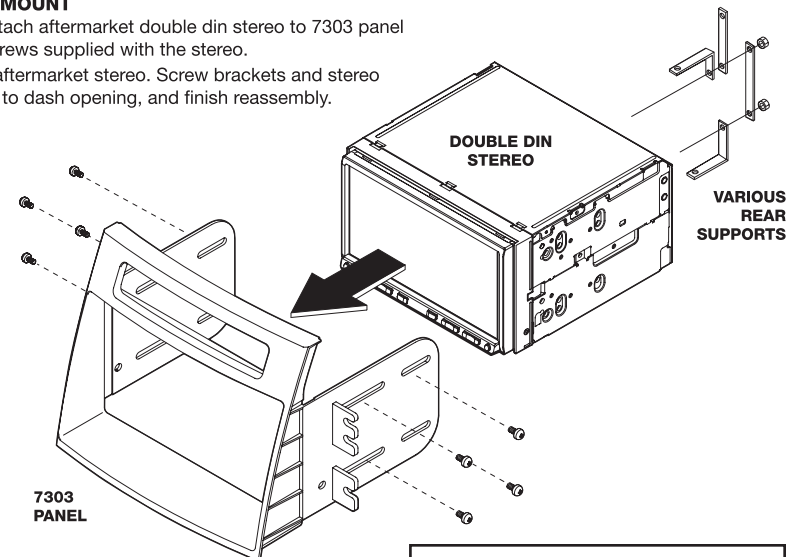
SINGLE DIN MOUNT

1. Attach 6761 pocket to 7303 panel using supplied screws
2. Align and attach aftermarket single din stereo to 7303 panel and 6761 pocket assembly using the screws supplied with the stereo.
3. Reconnect aftermarket stereo. Screw brackets and stereo assembly in to dash opening, and finish reassembly



DOUBLE DIN MOUNT

1. Align and attach aftermarket double din stereo to 7303 panel using the screws supplied with the stereo.
2. Reconnect aftermarket stereo. Screw brackets and stereo assembly in to dash opening, and finish reassembly.



NOTE: REAR SUPPORT AVAILABLE SEPARATELY. REAR SUPPORT OF THE STEREO ADDS TO THE INSTALLATION'S STRUCTURAL INTEGRITY.